

SPARE PARTS CATALOGUE

Brand: NANNI DIESEL

Model: Moteur T4.270 T4.230

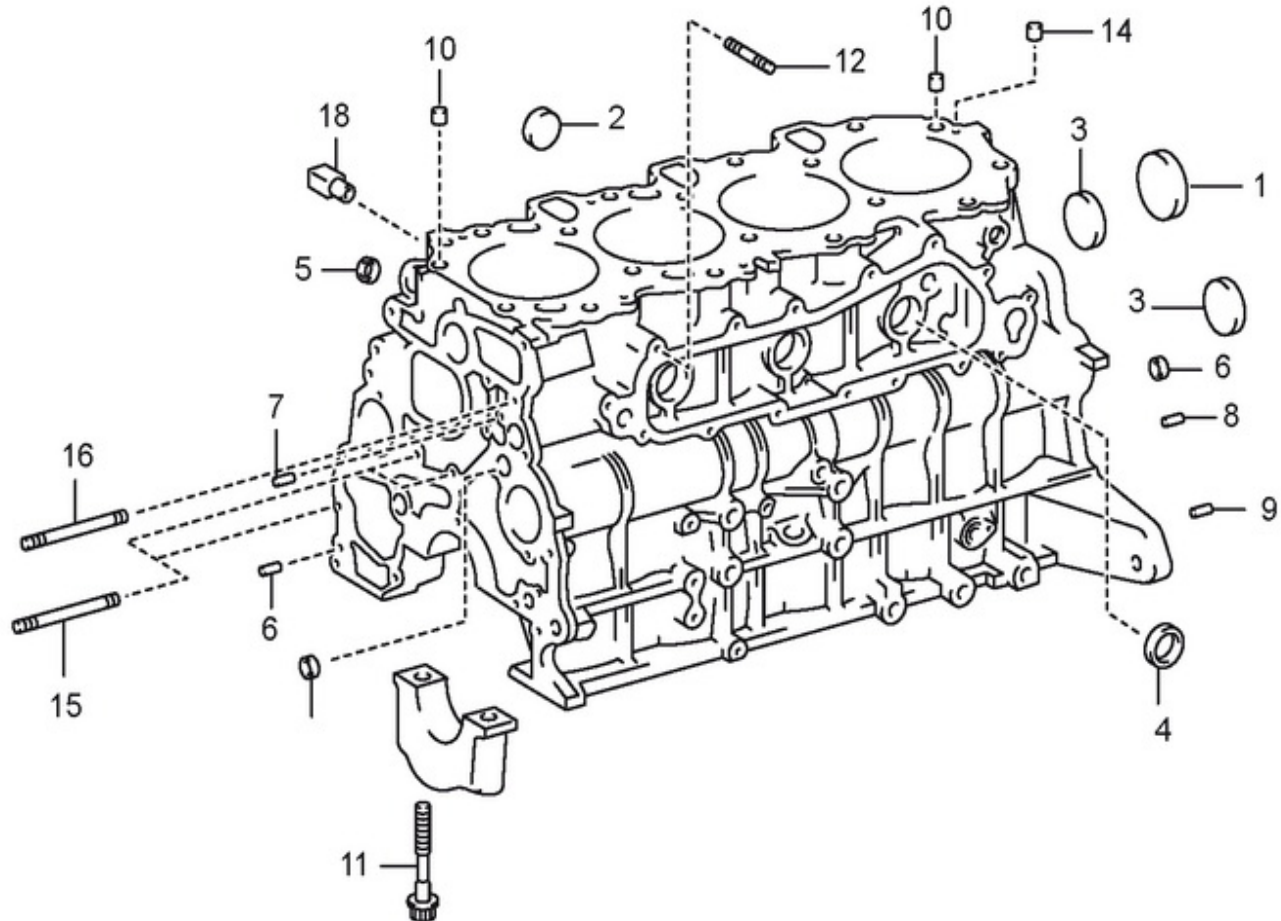
Version: Standard

Brand: NanniDiesel

Model: Moteur T4.270 T4.230

Version: Standard

Subassembly: Crank case / Cylinders



N.	Item	Description	Qty	Notes
1	970312033	CAP,FREEZE	1	
2	970312034	PLUG	3	
3	970312035	CAP, SEALING	2	
4	970312036	CAP, SEALING	3	
5	970312037	CAP, SEALING	1	
6	970312038	CAP,FREEZE	2	
7	970312097	PIN, STRAIGHT	2	
8	970312040	PIN, STRAIGHT	2	
9	970312120	PIN,STRAIGHT	2	
10	970312042	PIN, RING	2	
11	970312043	BOLT	10	
12	970312044	STUD	1	
14	970312045	OIL DUCT, CYLINDER BLOCK	1	
15	970312046	STUD	3	
16	970312044	STUD	1	
18	970316107	PLUG, STRAIGHT	1	
19	970312259	GASKET	1	
20	970316108	NUT, FLANGE	2	

V. 20/01/2014

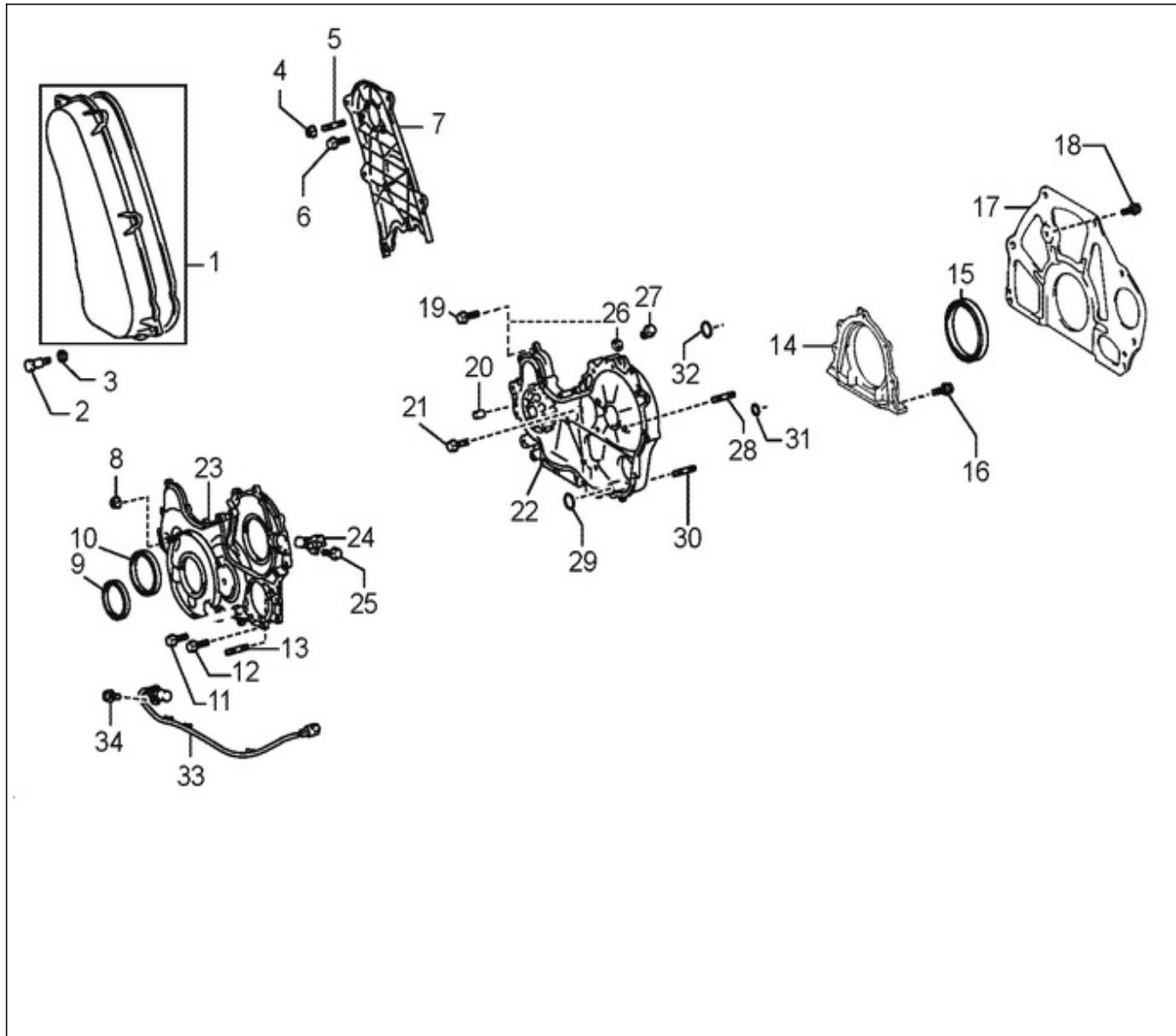
Pag. 2/51

Brand: NanniDiesel

Model: Moteur T4.270 T4.230

Version: Standard

Subassembly: Gear case / rear end plate



N.	Item	Description	Qty	Notes
1	970316109	COVER, TIMING BELT	1	
2	970314091	BOLT	6	
3	970312573	WASHER, SEAL	6	
4	970316110	NUT, FLANGE	1	
5	970314148	BOLT, STUD	1	
6	970312080	BOLT, WASHER BASED HEAD HEXAGO	4	
7	970313945	COVER, TIMING BELT No.2	1	
8	970312061	NUT	2	
9	970312082	GASKET	1	
10	970314102	SEAL, TYPE T OIL (FOR TIMING - CHAIN OR BELT COVER)	1	
11	970312084	BOLT	4	
12	970312251	BOLT	10	
13	970316111	BOLT, STUD	2	
14	970312087	RETAINER, OIL SEAL	1	
15	970316112	SEAL, TYPE T OIL	1	
16	970312251	BOLT	5	
17	970313947	PLATE, REAR END	1	
18	970316113	BOLT, FLANGE	1	
19	970312210	BOLT, W/WASHER	8	
20	970312097	PIN, STRAIGHT	1	
21	970312092	BOLT, UNION	1	
22	970316114	CASE ASSY, TIMING GEAR, OIL PUMP	1	
23	970313944	COVER, TIMING GEAR	1	
24	970316115	SENSOR, CRANK POSITION	1	
25	970314136	BOLT, FLANGE	1	
26	970314026	GASKET, OIL PUMP RELIEF VALVE	1	
27	970314106	PLUG, W/HEAD STRAIGHT SCREW - (FOR TIMING GEAR	1	
28	970316116	BOLT, STUD	2	
29	970312094	O RING	1	
30	970312584	BOLT, STUD (For timing gear cas - e)	2	
31	970312101	O-RING - GEAR CASE	1	
32	970312102	O RING	1	
33	970316117	SENSOR, CRANK POSITION	1	
34	970314136	BOLT, FLANGE	1	

V. 20/01/2014

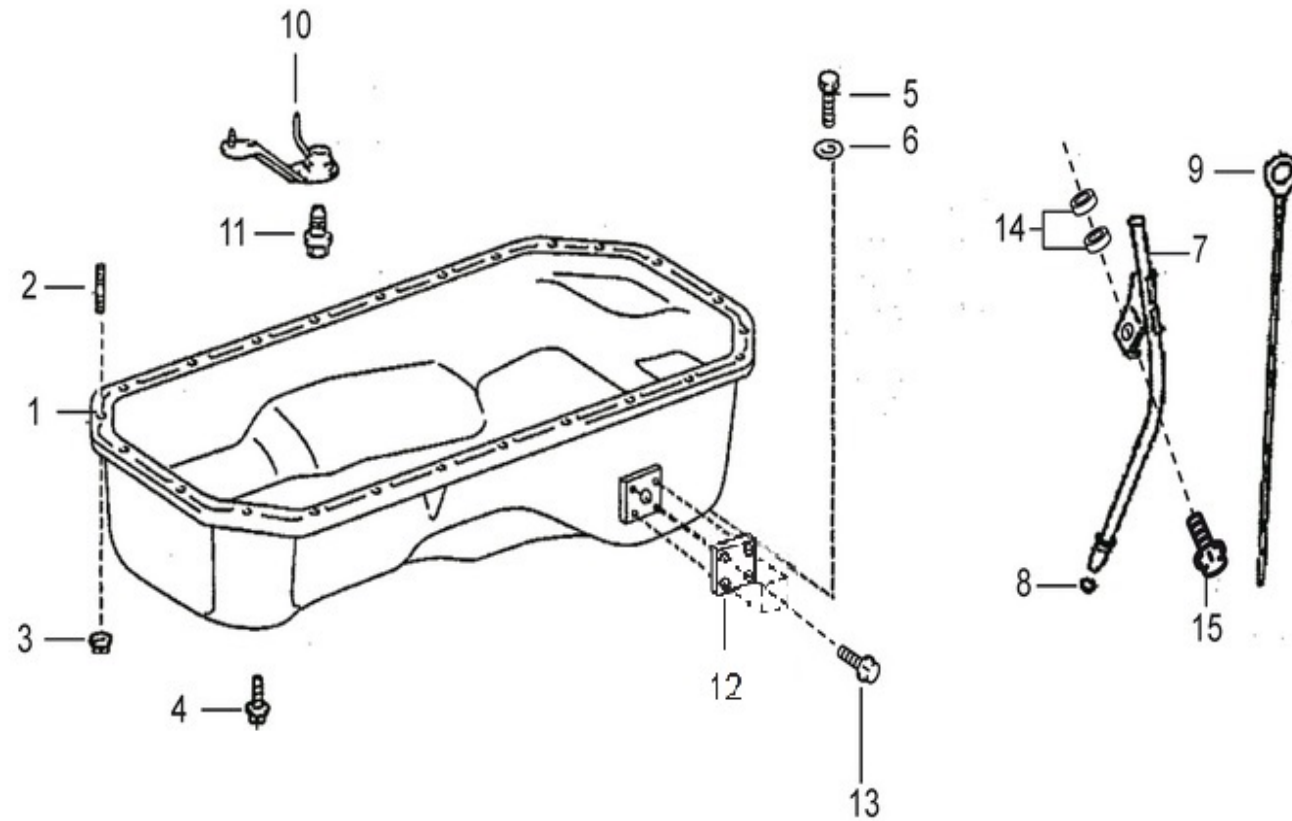
Pag. 3/51

Brand: NanniDiesel

Model: Moteur T4.270 T4.230

Version: Standard

Subassembly: Oil pan



N.	Item	Description	Qty	Notes
1	970313956	PAN SUB-ASSY, OIL	1	
2	970312060	STUD	2	
3	970312061	NUT	2	
4	970312062	BOLT, W/WASHER	22	
5	970312063	PLUG, W/HEAD STRAIGHT SCREW	1	
6	970312064	GASKET	1	
7	970316118	GUIDE SUB-ASSY, OIL LEVEL GAGE	1	
8	970312101	O-RING - GEAR CASE	1	
9	970316119	GAGE SUB-ASSY, OIL LEVEL	1	
10	970316120	NOZZLE SUB-ASSY, OIL	4	
11	970312069	VALVE SUB ASSY, OIL CHECK	4	
12	970316121	PLUG, OIL PAN	1	
13	970314145	BOLT, W/WASHER	4	
14	970316122	SPACER	2	
15	970316123	BOLT, FLANGE	1	

V. 20/01/2014

Pag. 4/51

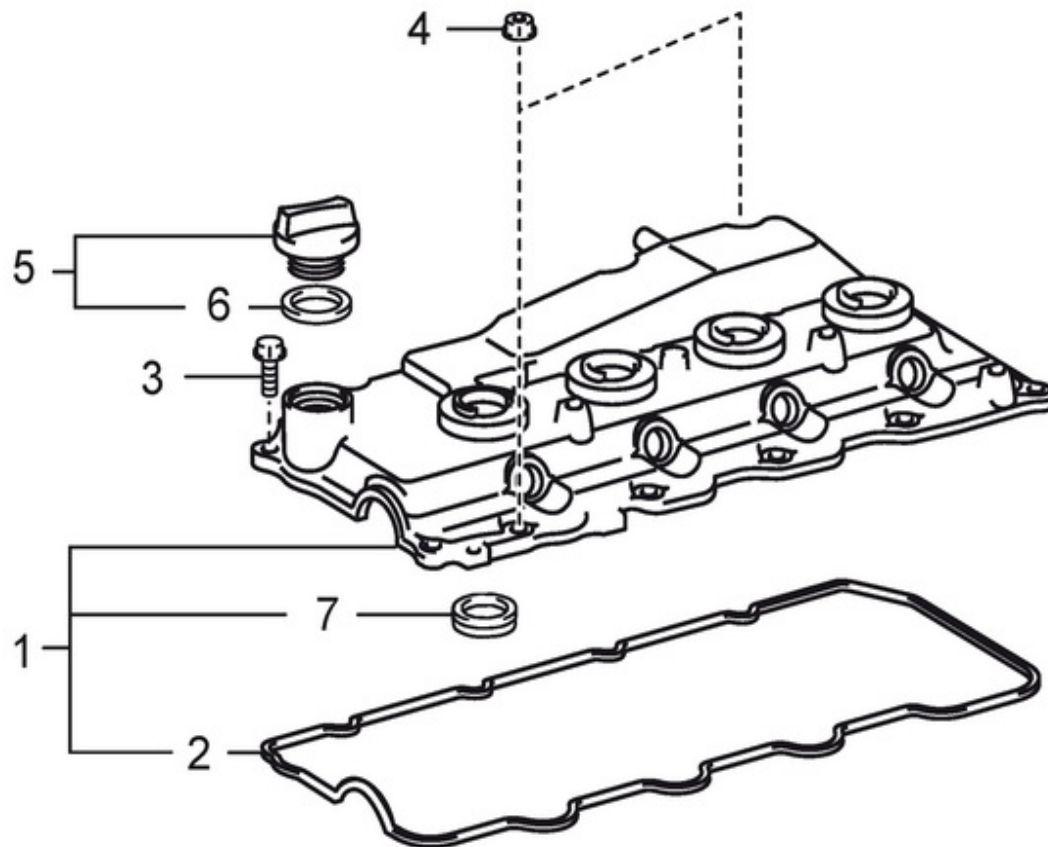
Brand: NanniDiesel

Model: Moteur T4.270 T4.230

Version: Standard

Subassembly: Cylinder head cover

N.	Item	Description	Qty	Notes
1	970316124	COVER ASSY, CYLINDER HEAD	1	
2	970316125	GASKET, CYLINDER HEAD COVER	1	
3	970316126	BOLT, FRANGE	10	
4	970316127	NUT	2	
5	970312005	PLUG	1	
6	970312006	GASKET	1	
7	970316128	GASKET, NOZZLE HOLDER	4	



V. 20/01/2014

Pag. 5/51

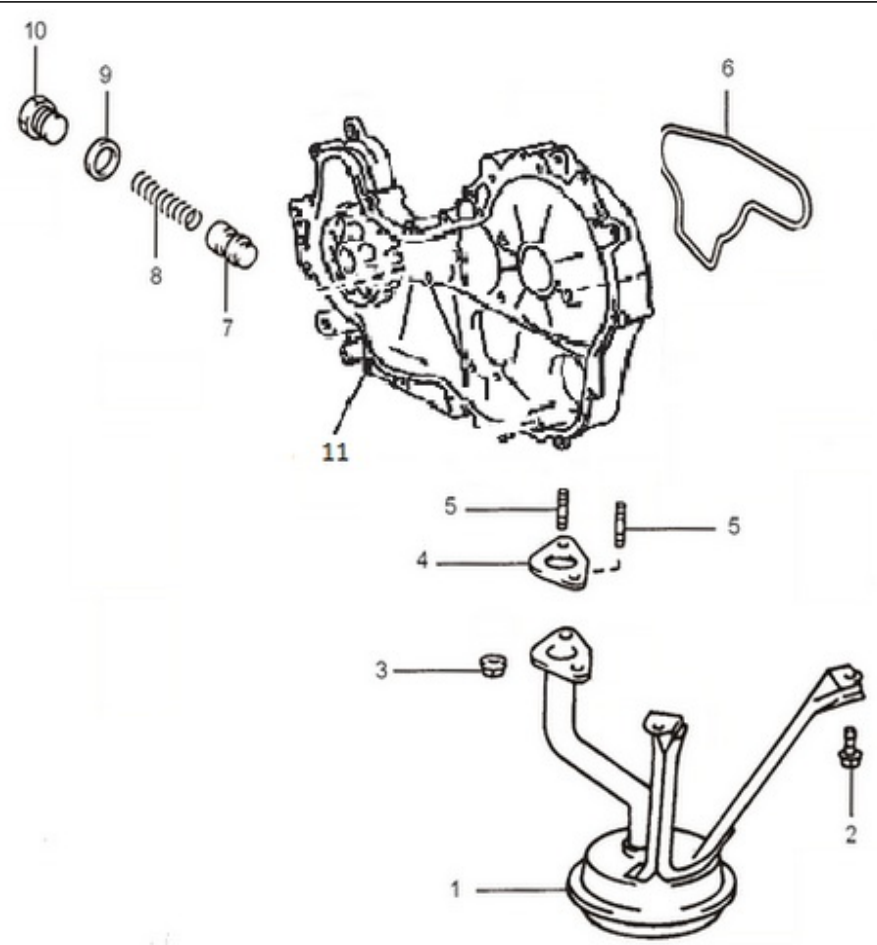
Brand: NanniDiesel

Model: Moteur T4.270 T4.230

Version: Standard

Subassembly: Oil pump

N.	Item	Description	Qty	Notes
1	970312196	STRAINER SUB-ASSY,OIL	1	
2	970312062	BOLT, W/WASHER	2	
3	970312061	NUT	2	
4	970312199	GASKET,OILSTRAINER FLANGE	1	
5	970312060	STUD	2	
6	970312201	GASKET,OIL PUMP	1	
7	970312202	VALVE,OIL PUMP RELIEF	1	
8	970312203	SPRING,OILPUMP RELIEF VALVE	1	
9	970312204	GASKET,OIL PUMP RELIEF VALVE	1	
10	970312205	PLUG,OIL PUMP RELIEF VALVE	1	
11	970316129	CASE ASSY, TIMING GEAR	1	



V. 20/01/2014

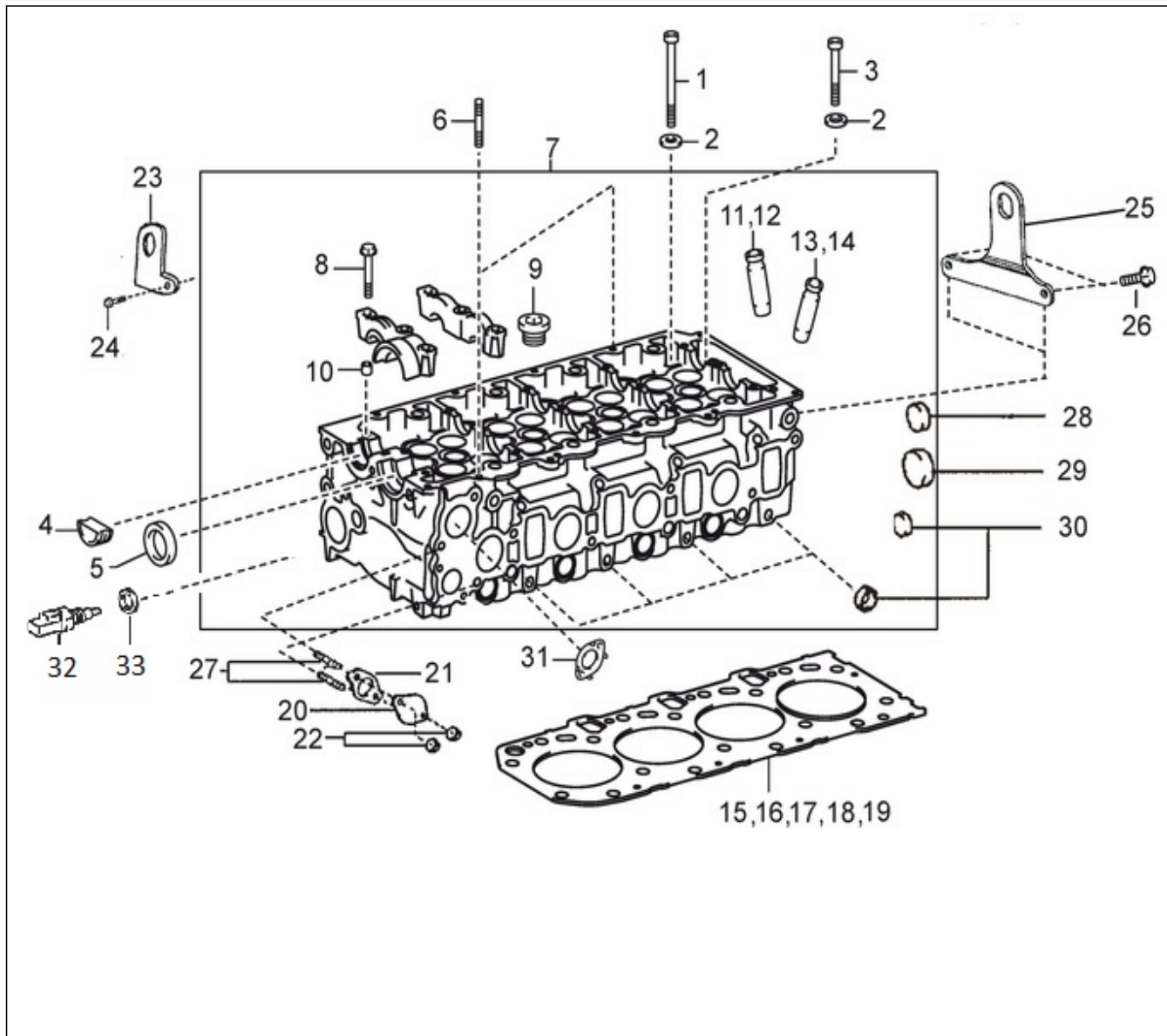
Pag. 6/51

Brand: NanniDiesel

Model: Moteur T4.270 T4.230

Version: Standard

Subassembly: Cylinder head



N.	Item	Description	Qty	Notes
1	970314119	BOLT (FOR CYLINDER HEAD SET)	8	
2	970312008	WASHER	18	
3	970314120	BOLT (FOR CYLINDER HEAD SET)	10	
4	970312009	HALF PLUG	1	
5	970312078	GASKET	1	
6	970314092	BOLT, STUD (FOR HEAD - TO CYLINDER HEAD COVER)	2	
7	970316130	HEAD SUB-ASSY, CYLINDER	1	
8	970314095	BOLT (FOR HEAD TO CAMSHAFT - BEARING CAP)	15	
9	970314105	PLUG, W/HEAD STRAIGHT SCREW, - No.1	4	
10	970312018	PIN, RING	4	
11	970313938	BUSH, INTAKE VALVE GUIDE [STD]	8	
12	970313939	BUSH, INTAKE VALVE GUIDE - [O/S 0.05]	8	
13	970313938	BUSH, INTAKE VALVE GUIDE [STD]	8	
14	970313939	BUSH, INTAKE VALVE GUIDE - [O/S 0.05]	8	
15	970313933	GASKET, CYLINDER HEAD	1	
16	970313934	GASKET, CYLINDER HEAD	1	
17	970316149	GASKET, CYLINDER HEAD	1	
18	970316150	GASKET, CYLINDER HEAD	1	
19	970316151	GASKET, CYLINDER HEAD	1	
20	970314070	PLATE, EGR HOLE COVER	1	
21	970316131	GASKET, EGR INLET	1	
22	970312061	NUT	1	
23	970313958	HANGER, ENGINE, No.1	1	
24	970316132	BOLT, FLANGE	1	
25	970313959	HANGER, ENGINE, No.2	1	
26	970316133	BOLT, FLANGE	2	
27	970316134	BOLT, STUD	2	
28	970312015	CAP, FREEZE	1	
29	970312034	PLUG	2	
30	970312037	CAP, SEALING	5	
31	970314035	GASKET	1	
32	970316135	SENSOR, WATER TEMPERATURE	1	
33	970312268	GASKET	1	

V. 20/01/2014

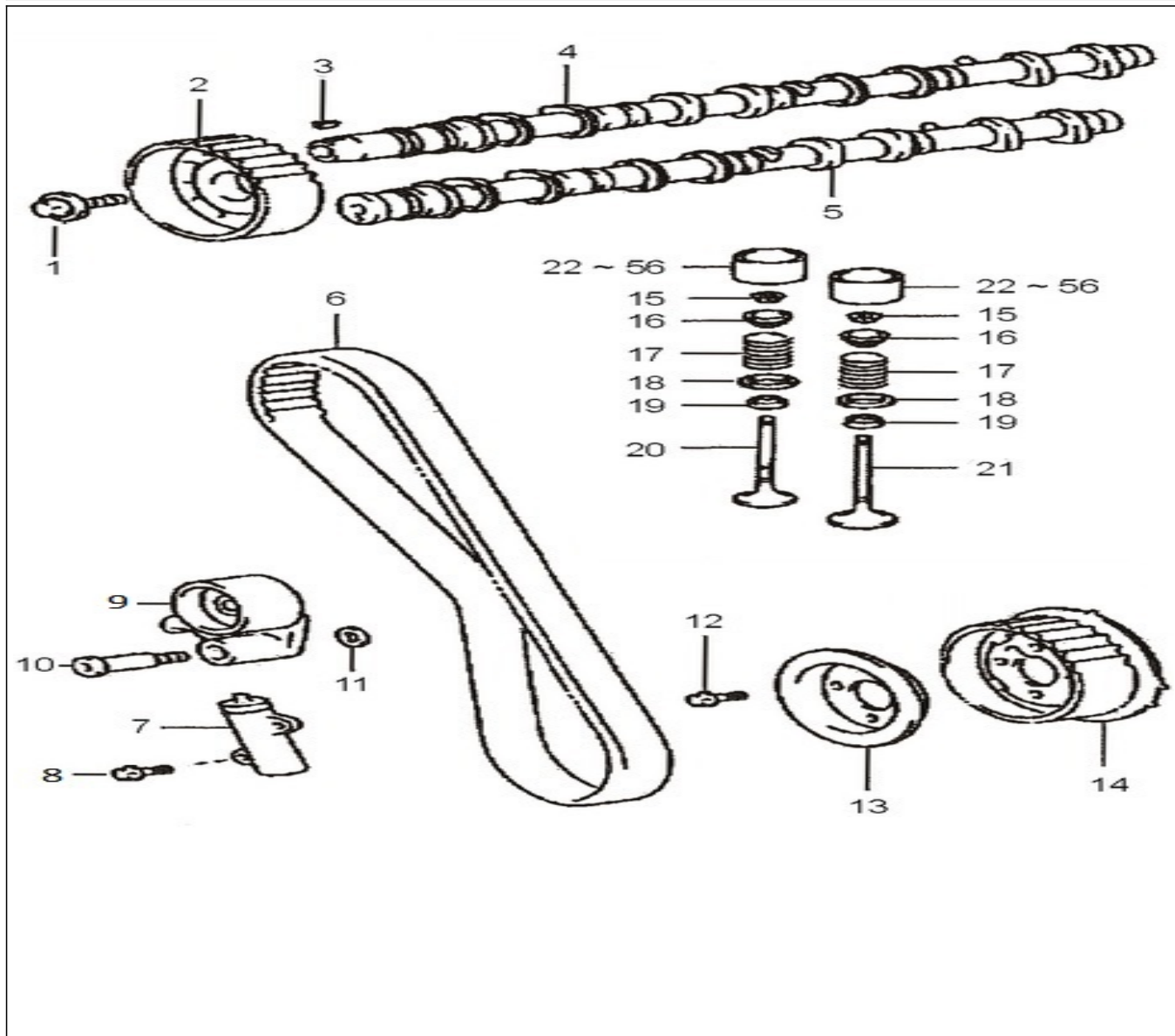
Pag. 7/51

Brand: NanniDiesel

Model: Moteur T4.270 T4.230

Version: Standard

Subassembly: camshaft



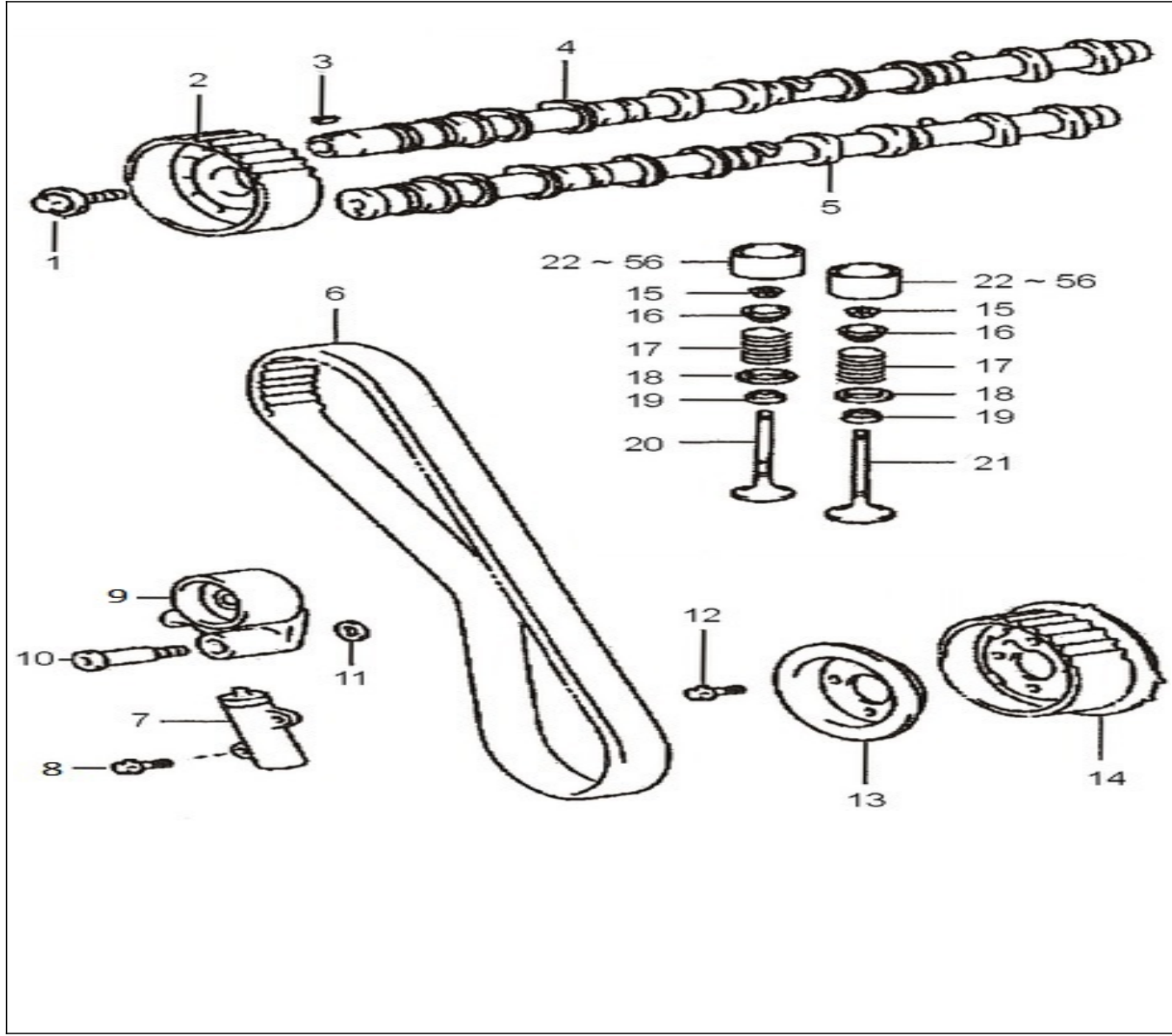
N.	Item	Description	Qty	Notes
1	970312157	BOLT,WASHER	1	
2	970312638	PULLEY,CAMSHAFT TIMING	1	
3	970312159	KEY,WOOD RUFF	1	
4	970316136	CAMSHAFT SUB-ASSY, NO.1	1	
5	970316137	CAMSHAFT SUB-ASSY, NO.2	1	
6	970313985	BELT, TIMING	1	
7	970312162	TIGHTNER	1	
8	970314137	BOLT, FLANGE	2	
9	970312164	IDLER SUB ASSY, TIMING BELT	1	
10	970312165	SHAFT, TIMING BELT IDLER	1	
11	970312166	WASHER	1	
12	970312640	BOLT,WASHER BASED HEAD HEXAGON	4	
13	970313986	FLANGE, CAMSHAFT TIMING - PULLEY, No.2	1	
14	970313984	PULLEY, PUMP DRIVE SHAFT	1	
15	970314122	LOCK, VALVE SPRING RETAINER	32	
16	970313990	RETAINER, VALVE SPRING	16	
17	970314118	SPRING, COMPRESSION (FOR INNER	16	
18	970314100	WASHER, PLATE (FOR VALVE - SPRING SEAT)	16	
19	970314121	SEAL, VALVE STEM OIL - (FOR VALVE STEM OIL)	16	
20	970313989	VALVE, EXHAUST	8	
21	970313988	VALVE, INTAKE	8	
22	970313991	LIFTER, VALVE (T=5.06)	1	
23	970313992	LIFTER, VALVE (T=5.08)	1	
24	970313993	LIFTER, VALVE (T=5.10)	1	
25	970313994	LIFTER, VALVE (T=5.12)	1	
26	970313995	LIFTER, VALVE (T=5.14)	1	
27	970313996	LIFTER, VALVE (T=5.16)	1	
28	970313997	LIFTER, VALVE (T=5.18)	1	
29	970313998	LIFTER, VALVE (T=5.20)	1	
30	970313999	LIFTER, VALVE (T=5.22)	1	
31	970314000	LIFTER, VALVE (T=5.24)	1	
32	970314001	LIFTER, VALVE (T=5.26)	1	
33	970314002	LIFTER, VALVE (T=5.28)	1	
34	970314003	LIFTER, VALVE (T=5.30)	1	
35	970314004	LIFTER, VALVE (T=5.32)	1	
36	970314005	LIFTER, VALVE (T=5.34)	1	
37	970314006	LIFTER, VALVE (T=5.36)	1	
38	970314007	LIFTER, VALVE (T=5.38)	1	
39	970314008	LIFTER, VALVE (T=5.40)	1	
40	970314009	LIFTER, VALVE (T=5.42)	1	
41	970314010	LIFTER, VALVE (T=5.44)	1	
42	970314011	LIFTER, VALVE (T=5.46)	1	
43	970314012	LIFTER, VALVE (T=5.48)	1	
44	970314013	LIFTER, VALVE (T=5.50)	1	
45	970314014	LIFTER, VALVE (T=5.52)	1	
46	970314015	LIFTER, VALVE (T=5.54)	1	
47	970314016	LIFTER, VALVE (T=5.56)	1	
48	970314017	LIFTER, VALVE (T=5.58)	1	
49	970314018	LIFTER, VALVE (T=5.60)	1	
50	970314019	LIFTER, VALVE (T=5.62)	1	
51	970314020	LIFTER, VALVE (T=5.64)	1	
52	970314021	LIFTER, VALVE (T=5.66)	1	
53	970314022	LIFTER, VALVE (T=5.68)	1	
54	970314023	LIFTER, VALVE (T=5.70)	1	
55	970314024	LIFTER, VALVE (T=5.72)	1	

V. 20/01/2014

Pag. 8/51

Brand: NanniDiesel
Model: Moteur T4.270 T4.230
Version: Standard
Subassembly: camshaft

N.	Item	Description	Qty	Notes
56	970314025	LIFTER, VALVE (T=5.74)	1	



V. 20/01/2014

Pag. 9/51

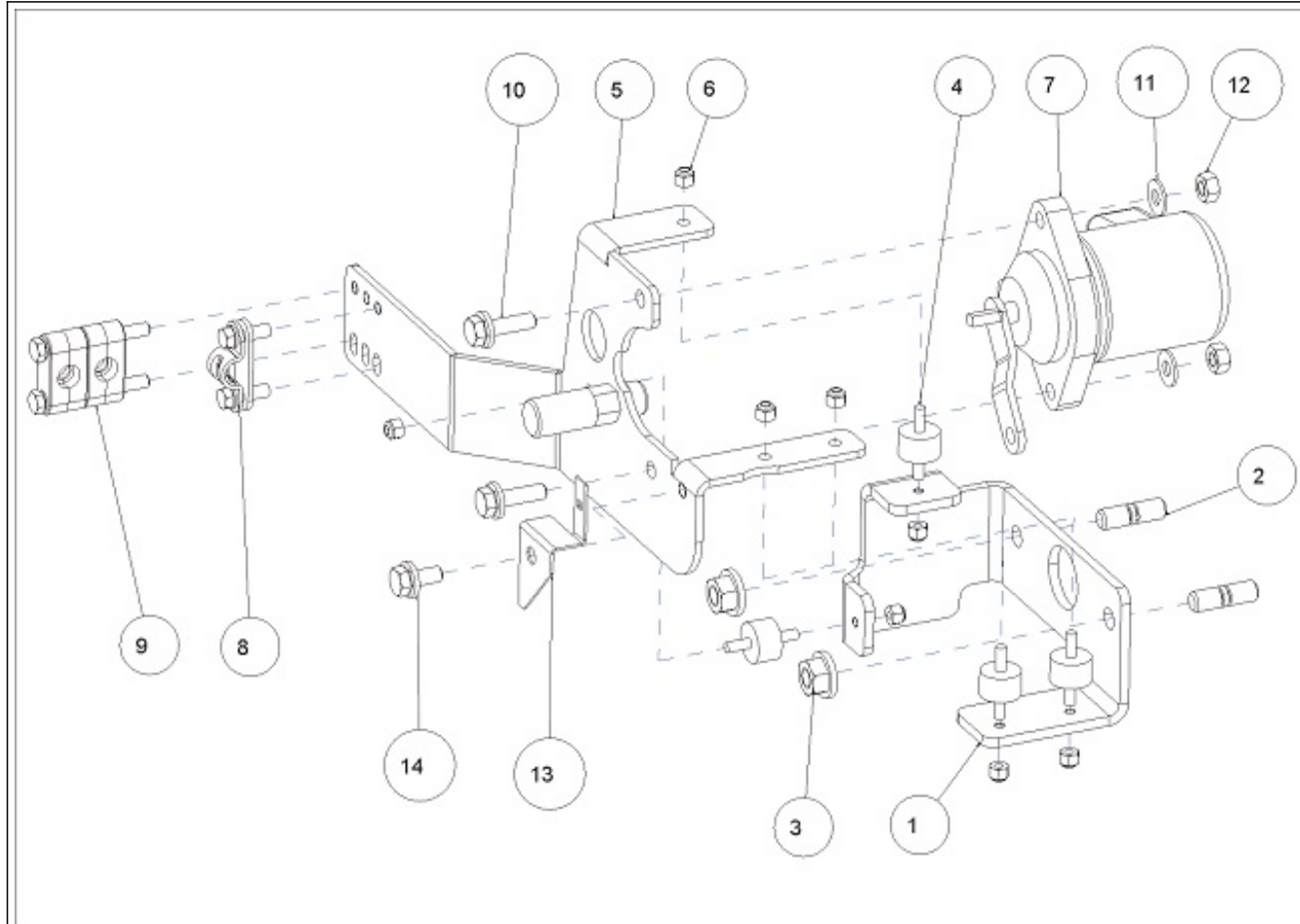
Brand: NanniDiesel

Model: Moteur T4.270 T4.230

Version: Standard

Subassembly: Speed control

N.	Item	Description	Qty	Notes
1	95311062	CONTRE SUPPORT COMMANDE GAZ M1KD 240	1	
2	39020301	STUD BOLT (<= N° T203061009)	2	
3	39460916	NUT (+++FIX ECHANGEUR)	2	
4	970312775	Insulator M/M, M4	4	
5	95311061	SUPPORT COMMANDE GAZ M1KD 240	1	
6	39360919	Nut,lock, M4	8	
7	970314079	ACCELERATOR	1	
8	970835020	CLAMP	1	
9	970311089	DOUBLE CONTROL THROTTLE	1	
10	39160659	BOLT	2	
11	970635459	WASHER,PLAIN D 6 (CALAGE)	2	
12	970635460	NUT,M 6	2	
13	970316072	GASKET	1	
14	39160735	BOLT	1	



V. 20/01/2014

Pag. 10/51

Brand: NanniDiesel

Model: Moteur T4.270 T4.230

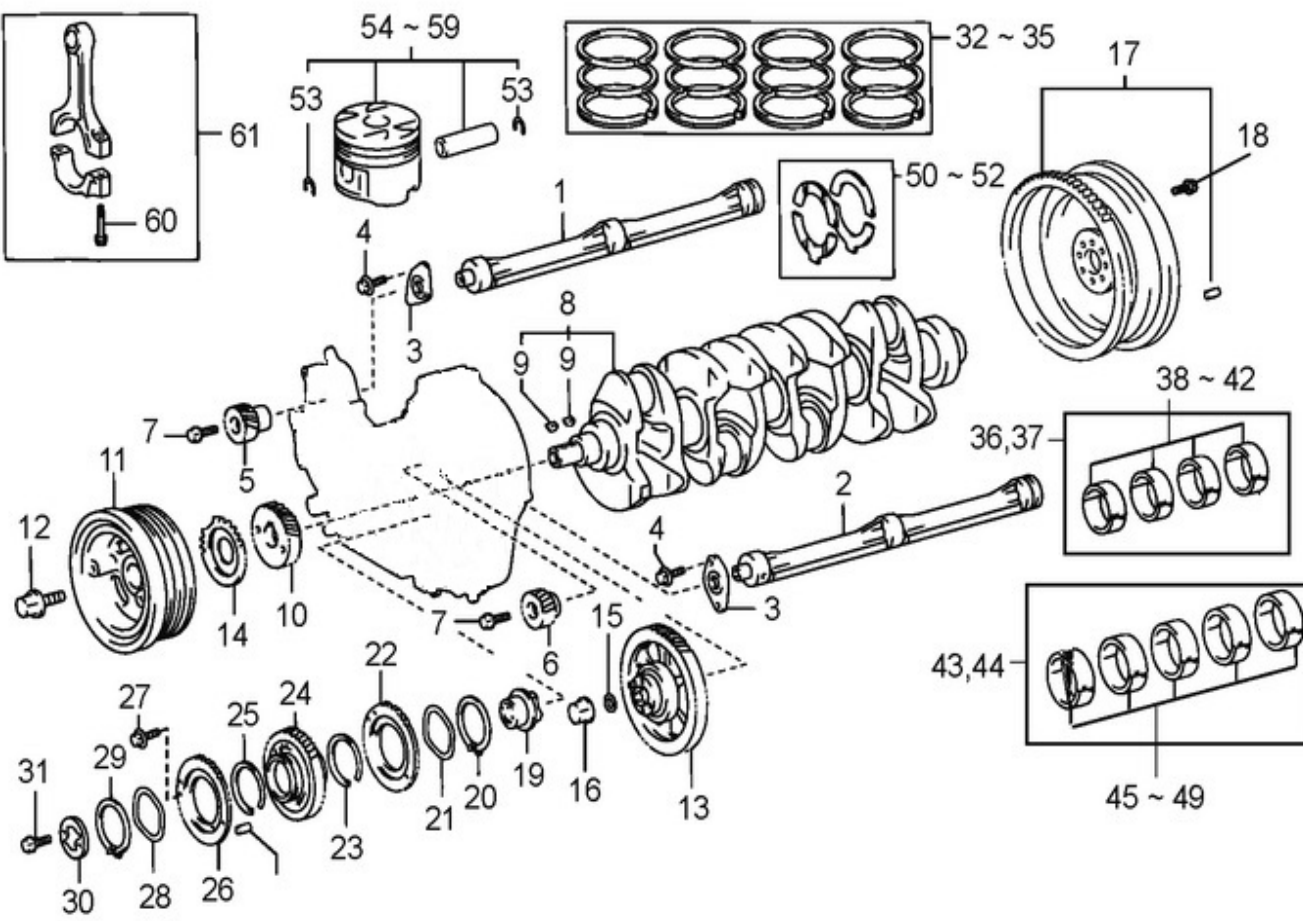
Version: Standard

Subassembly: Crankshaft pistons

N.	Item	Description	Qty	Notes
1	970312103	ASSY SHAFT, BALANCER N°1	1	
2	970312104	ASSY SHAFT, BALANCER N°2	1	
3	970312105	WASHER, BALANCER SHAFT THRUST	2	
4	970314135	BOLT, FLANGE	4	
5	970312107	GEAR BALANCER SHAFT DRIVEN, N°	1	
6	970312108	GEAR BALANCER SHAFT DRIVEN, N°	1	
7	970314134	BOLT, FLANGE	1	
8	970316138	CRANKSHAFT SUB-ASSY	1	
9	970312111	KEY	2	
10	970312112	GEAR CRANKSHAFT TIMING	1	
11	970316139	PULLEY SUB-ASSY, CRANKSHAFT	1	
12	970312114	BOLT, W/WASHER	1	
13	970313987	GEAR SUB-ASSY, SUPPLY PUMP - DRIVE	1	
14	970314048	PLATE, CRANK ANGLE SENSOR	1	
15	970312117	O RING	1	
16	970312118	NUT,CAP	1	
17	970316140	FLYWHEEL SUB-ASSY	1	
18	970316141	BOLT, WASHER BASED HEAD HEXAGO	8	
19	970312156	SHAFT, IDLE GEAR	1	
20	970312149	RING	1	
21	970312151	WASHER,WAVE	1	
22	970316142	GEAR, IDLE SUB, NO.2	1	
23	970312155	SPRING, IDLE GEAR	1	
24	970313983	GEAR SUB-ASSY, IDLE	1	
25	970312155	SPRING, IDLE GEAR	1	
26	970316143	GEAR, IDLE SUB, NO.1	1	
27	970316144	BOLT, FLANGE	1	
28	970312151	WASHER,WAVE	1	
29	970312149	RING	1	
30	970312148	PLATE, IDLE GEAR THRUST	1	
31	970312147	BOLT	2	
32	970316145	RING SET, PISTON (STD)	1	
33	970316146	RING SET, PISTON (O/S 0.5)	1	
34	970316147	RING SET, PISTON (O/S 0.75)	1	
35	970316148	RING SET, PISTON (O/S 1.0)	1	
36	970313977	BEARING SET, CONNECTING ROD - (O/S 0.25)	1	
37	970313978	BEARING SET, CONNECTING ROD - (O/S 0.50)	1	
38	970312126	BEARING CONNECTING ROD (MARK 2)	4	
39	970312127	BEARING CONNECTING ROD (MARK 3)	4	
40	970312128	BEARING CONNECTING ROD (MARK 4)	4	
41	970312129	BEARING CONNECTING ROD (MARK 5)	4	
42	970312130	BEARING,CONNECTING ROD (MARK 6)	4	
43	970313954	BEARING SET, CRANKSHAFT - (U/S0.25)	1	
44	970313955	BEARING SET, CRANKSHAFT - (U/S0.50)	1	
45	970312134	BEARING,CRANKSHAFT (MARK 2)	5	
46	970312135	BEARING,CRANKSHAFT (MARK 3)	5	
47	970312136	BEARING,CRANKSHAFT (MARK 4)	5	
48	970312137	BEARING,CRANKSHAFT (MARK 5)	5	
49	970312138	BEARING,CRANKSHAFT (MARK 6)	5	
50	970313929	WASHER SET, CRANKSHAFT THRUST - (STD)	1	
51	970313930	WASHER SET, CRANKSHAFT THRUST - (O/S 0.125)	1	
52	970313931	WASHER SET, CRANKSHAFT THRUST - (O/S 0.25)	1	
53	970312142	RING,SNAP	8	
54	970316159	PISTON SUB-ASSY, W/PIN (STD MA	4	
55	970316160	PISTON SUB-ASSY, W/PIN (STD MA	4	

V. 20/01/2014

Pag. 11/51



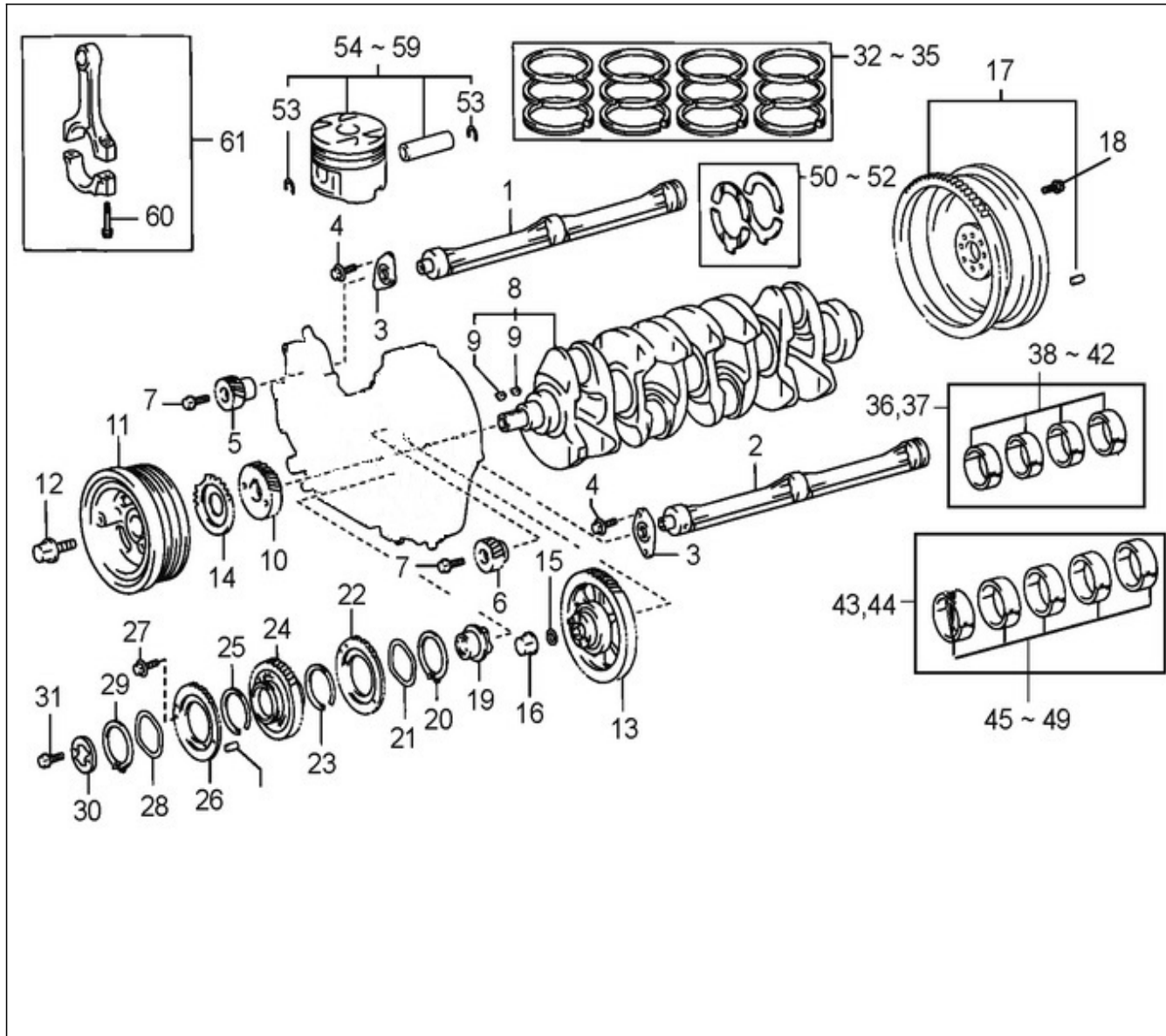
Brand: NanniDiesel

Model: Moteur T4.270 T4.230

Version: Standard

Subassembly: Crankshaft pistons

N.	Item	Description	Qty	Notes
56	970316161	PISTON SUB-ASSY, W/PIN (STD MA	4	
57	970316162	PISTON SUB-ASSY, W/PIN (O/S 0.	4	
58	970316163	PISTON SUB-ASSY, W/PIN (O/S 0.	4	
59	970316164	PISTON SUB-ASSY, W/PIN (O/S 1.	4	
60	970313181	BOLT	8	
61	970316165	ROD SUB-ASSY, CONNECTING	4	



V. 20/01/2014

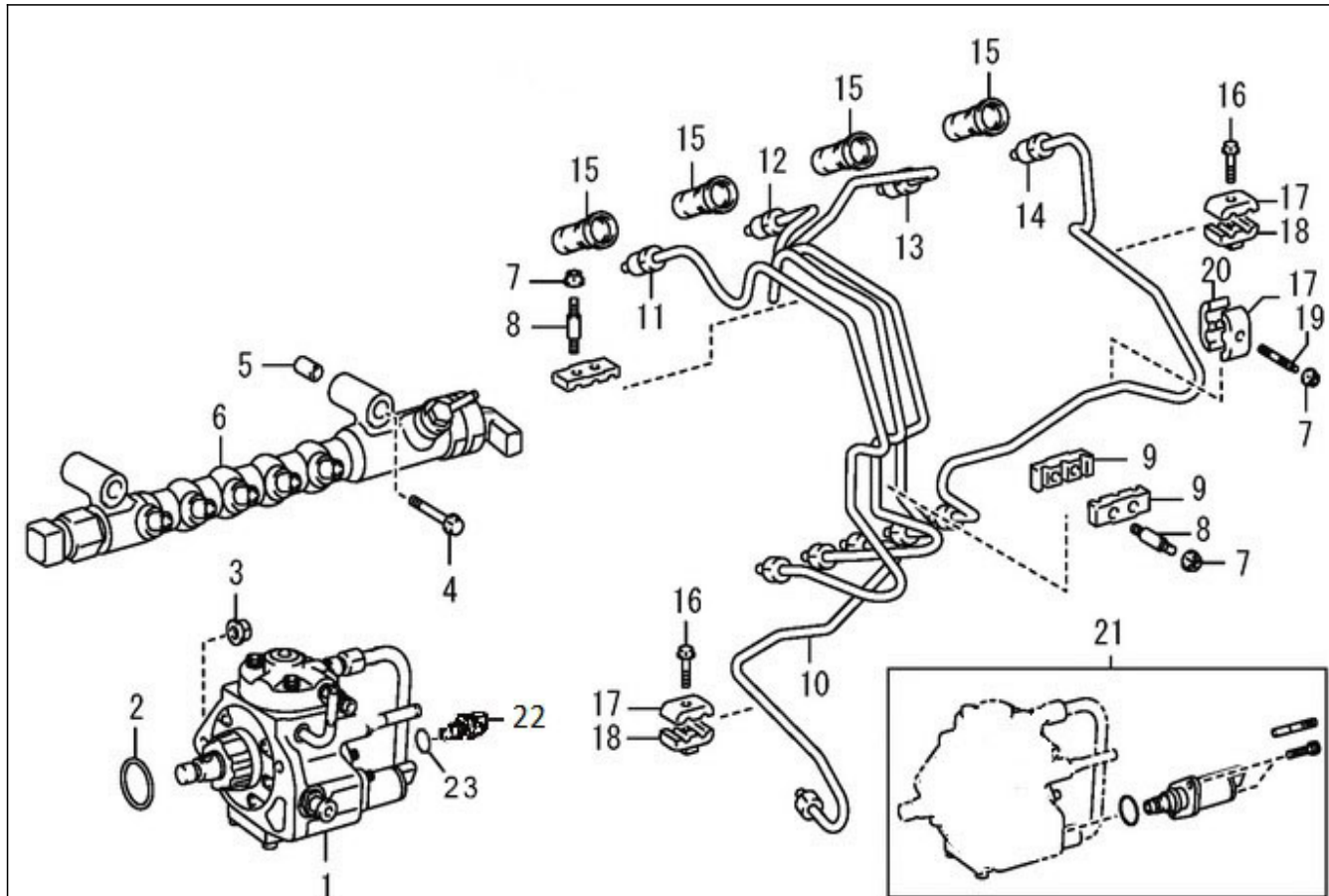
Pag. 12/51

Brand: NanniDiesel

Model: Moteur T4.270 T4.230

Version: Standard

Subassembly: Injection & fuel pump



N.	Item	Description	Qty	Notes
1	970316166	PUMP ASSY, SUPPLY	1	
2	970312298	RING,O	1	
3	970312300	NUT	2	
4	970314141	BOLT, FLANGE	2	
5	970314101	PIN, RING	2	
6	970316167	RAIL ASSY, COMMON	1	
7	970316168	NUT, FLANGE	5	
8	970314093	BOLT, STUD	4	
9	970314065	CLAMP, INJECTION PIPE, No.3	4	
10	970316169	PIPE SUB-ASSY, FUEL INLET	1	
11	970316170	PIPE SUB-ASSY, INJECTION, NO.1	1	
12	970316171	PIPE SUB-ASSY, INJECTION, NO.2	1	
13	970316172	PIPE SUB-ASSY, INJECTION, NO.3	1	
14	970316173	PIPE SUB-ASSY, INJECTION, NO.4	1	
15	970314057	SEAL, NOZZLE HOLDER	4	
16	970316174	BOLT, W/WASHER	2	
17	970316175	CLAMP, INJECTION PIPE, NO.2	3	
18	970316176	CLAMP, INJECTION PIPE, NO.2	2	
19	970314092	BOLT, STUD (FOR HEAD - TO CYLINDER HEAD COVER)	1	
20	970316177	CLAMP, INJECTION PIPE, NO.2	1	
21	970316178	VALVE KIT, SUCTION CONTROL	1	
22	970316179	FUEL TEMP. SENSOR	1	
23	970316180	O-RING	1	

V. 20/01/2014

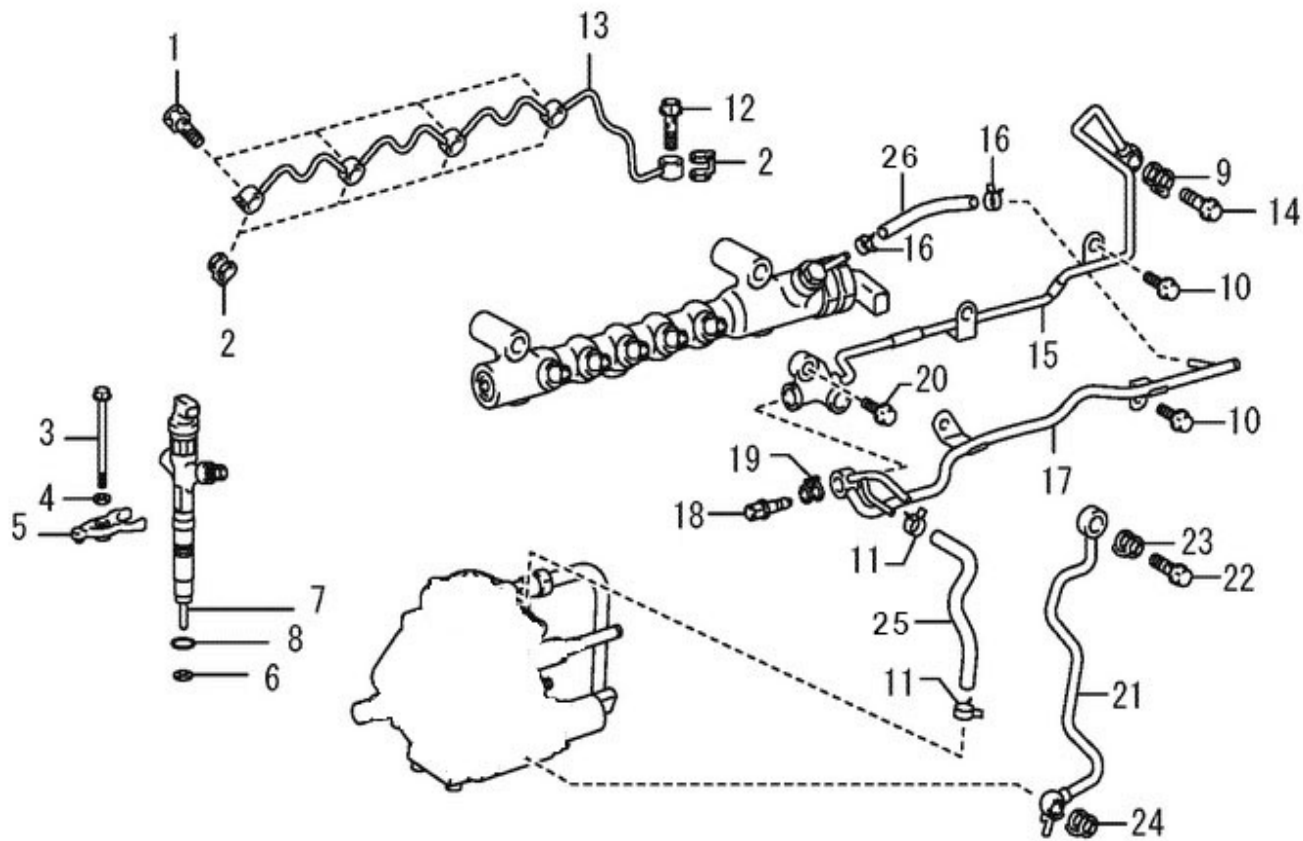
Pag. 13/51

Brand: NanniDiesel

Model: Moteur T4.270 T4.230

Version: Standard

Subassembly: Injection lines nozzles



N.	Item	Description	Qty	Notes
1	970314056	SCREW, INJECTOR HOLLOW	4	
2	970314117	GASKET	5	
3	970314090	BOLT, FLANGE	4	
4	970312700	WASHER	4	
5	970316181	CLAMP, NOZZLE HOLDER	4	
6	970313940	SEAT, INJECTION NOZZLE	4	
7	970316183	INJECTOR ASSY	4	
8	970314153	RING, O	4	
9	970314111	GASKET	1	
10	970314138	BOLT, FLANGE	4	
11	970439306	CLAMP (++POUR DURITE ORIGINE REF HUILE MOTEUR)	2	
12	970314108	BOLT, UNION	1	
13	970314066	PIPE ASSY, NOZZLE LEAKAGE, No.1	1	
14	970314109	BOLT, UNION	1	
15	970316184	PIPE ASSY, NOZZLE LEAKAGE, NO.2	1	
16	970310171	CLAMP (+++ FIX DURITE WASTEGATE)	2	
17	970316185	PIPE ASSY, NOZZLE LEAKAGE, NO.3	1	
18	970316186	VALVE, FUEL CHECK	1	
19	970316187	GASKET	1	
20	970316188	BOLT, FLANGE	1	
21	970316189	PIPE, FUEL, NO.2	1	
22	970316190	VALVE, FUEL CHECK, NO.2	1	
23	970316191	GASKET	1	
24	970316192	GASKET	1	
25	32806170	HOSE	1	
26	32805120	HOSE	1	

V. 20/01/2014

Pag. 14/51

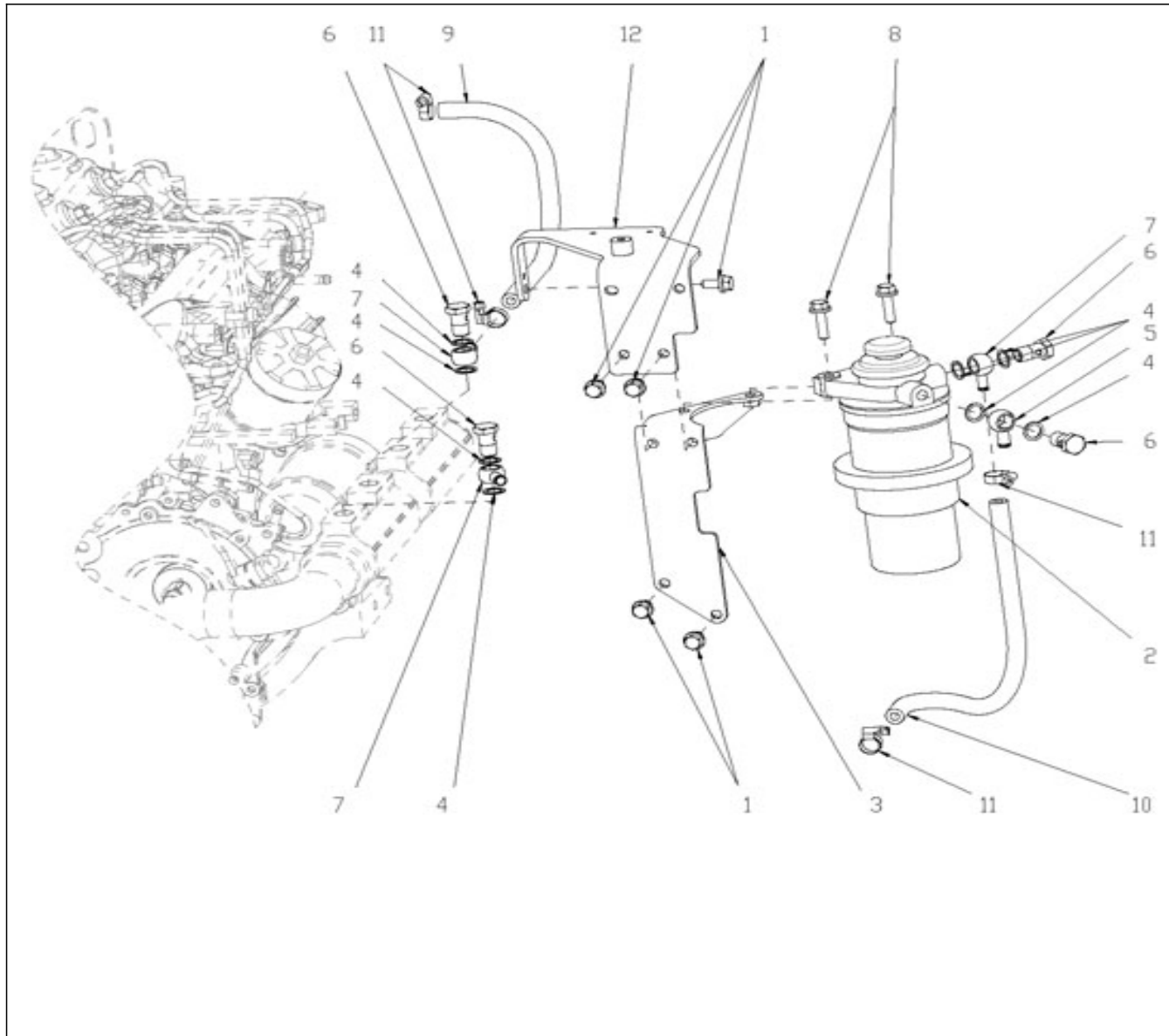
Brand: NanniDiesel

Model: Moteur T4.270 T4.230

Version: Standard

Subassembly: Fuel filter Assy

N.	Item	Description	Qty	Notes
1	39160661	BOLT (+++SUPPRIMER LA VIS DU MONTAGE STANDARD)	2	
2	970316193	FILTER ASSY, FUEL	1	
3	95310666	BRACKET	1	
4	970300306	GASKET,RING D14 (SUR REFROID THERMO MOTA)	4	
5	970301093	CONNECTION,BANJO D=6/M14	1	
6	970432515	BOLT,BANJO M14X1,5 (=> N°KT08090423)	2	
7	970300797	CONNECTION,BANJO D=8/M14 (=> N°KT08090423)	1	
8	39160639	BOLT	2	
9	970439306	CLAMP (++POUR DURITE ORIGINE REF HUILE MOTEUR)	4	
10	32808002	FUEL HOSE ISO 7840 D8	1	

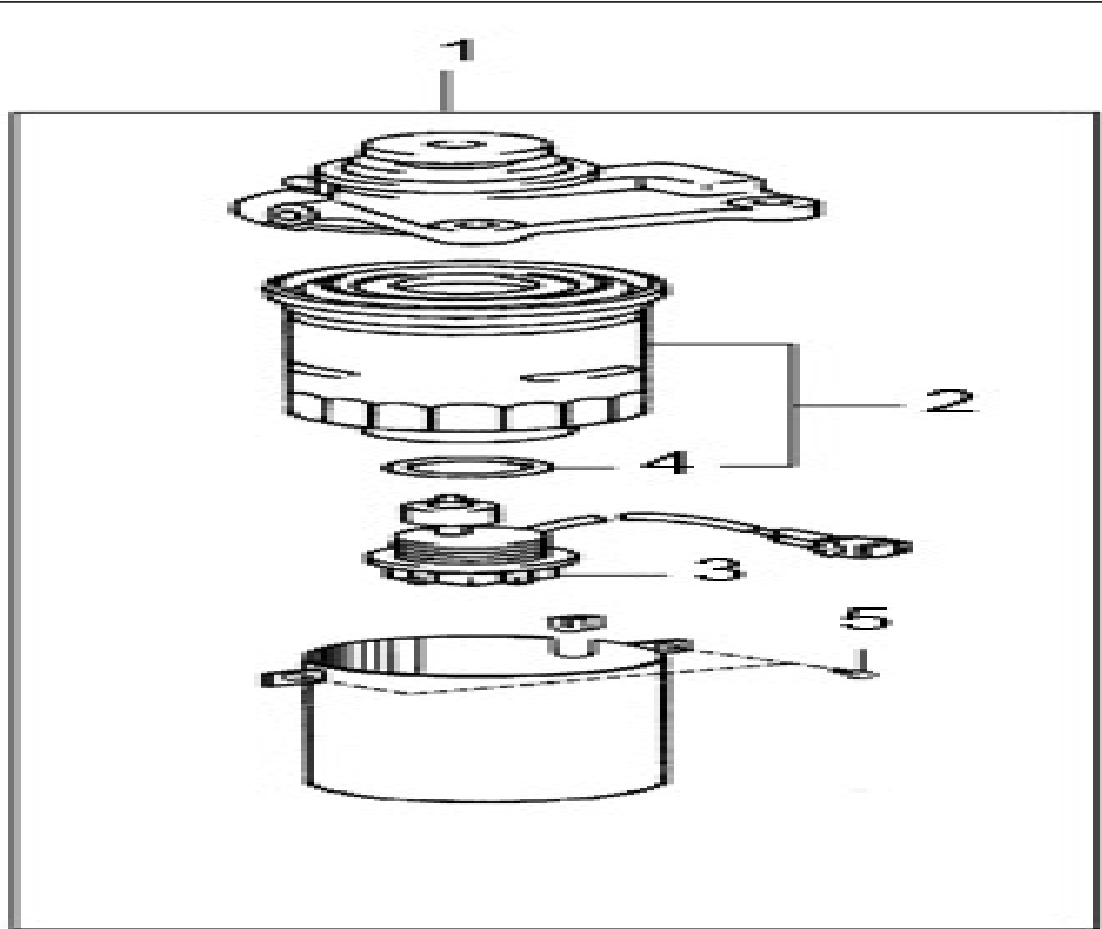


V. 20/01/2014

Pag. 15/51

Brand: NanniDiesel
 Model: Moteur T4.270 T4.230
 Version: Standard
 Subassembly: Fuel filter Assy

N.	Item	Description	Qty	Notes
1	970316193	FILTER ASSY, FUEL	1	
2	970316194	ELEMENT SUB-ASSY, FUEL FILTER	1	
3	970312242	PLUG W/WATER LEVEL SWITCH	1	
4	970314054	GASKET (FOR WARNING SWITCH)	1	
5	970315520	BOLT	2	

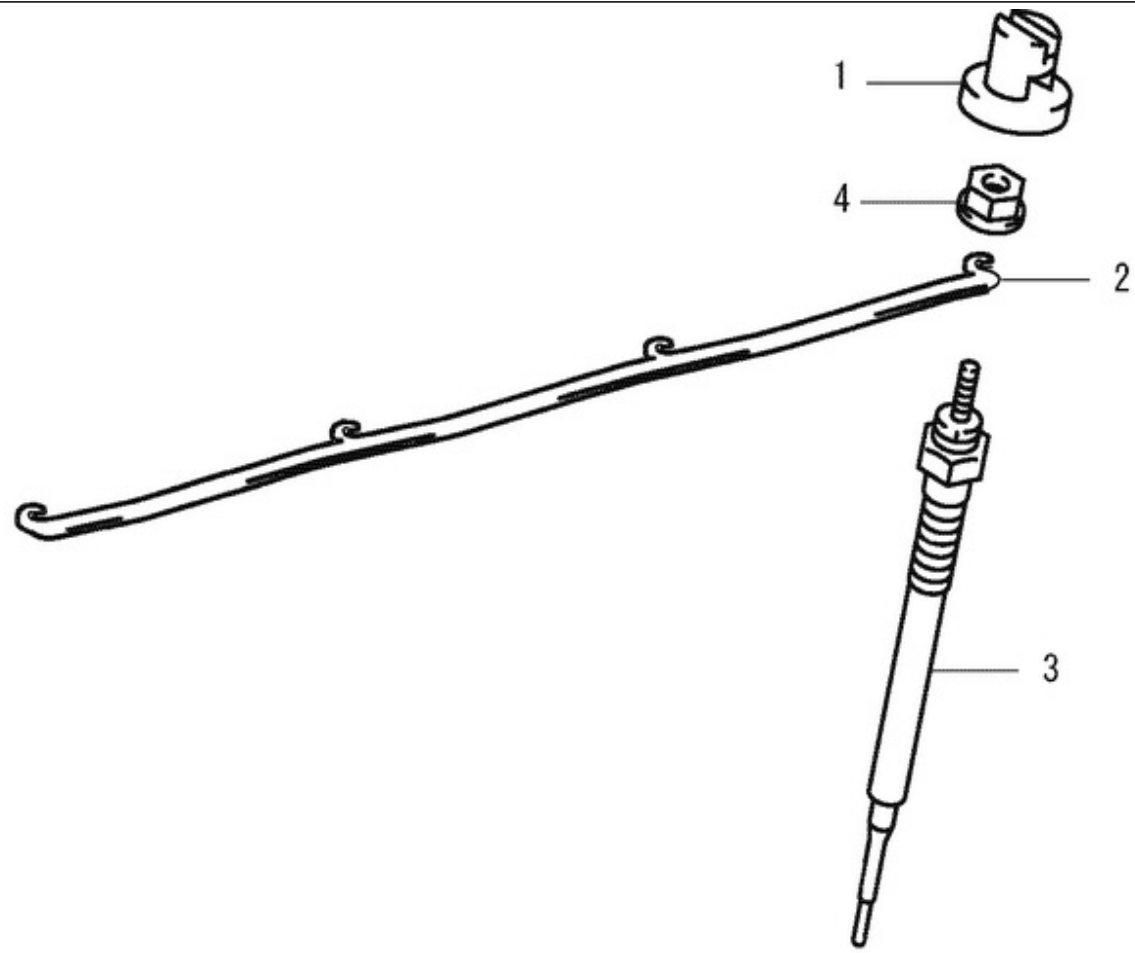


V. 20/01/2014

Pag. 16/51

Brand: NanniDiesel
 Model: Moteur T4.270 T4.230
 Version: Standard
 Subassembly: Glow plug

N.	Item	Description	Qty	Notes
1	970312321	GROMMET SCREW	4	
2	970314050	CONNECTOR,GLOW PLUG	1	
3	970316195	PLUG ASSY, GLOW	4	
4	970316196	NUT, FLANGE	4	



V. 20/01/2014

Pag. 17/51

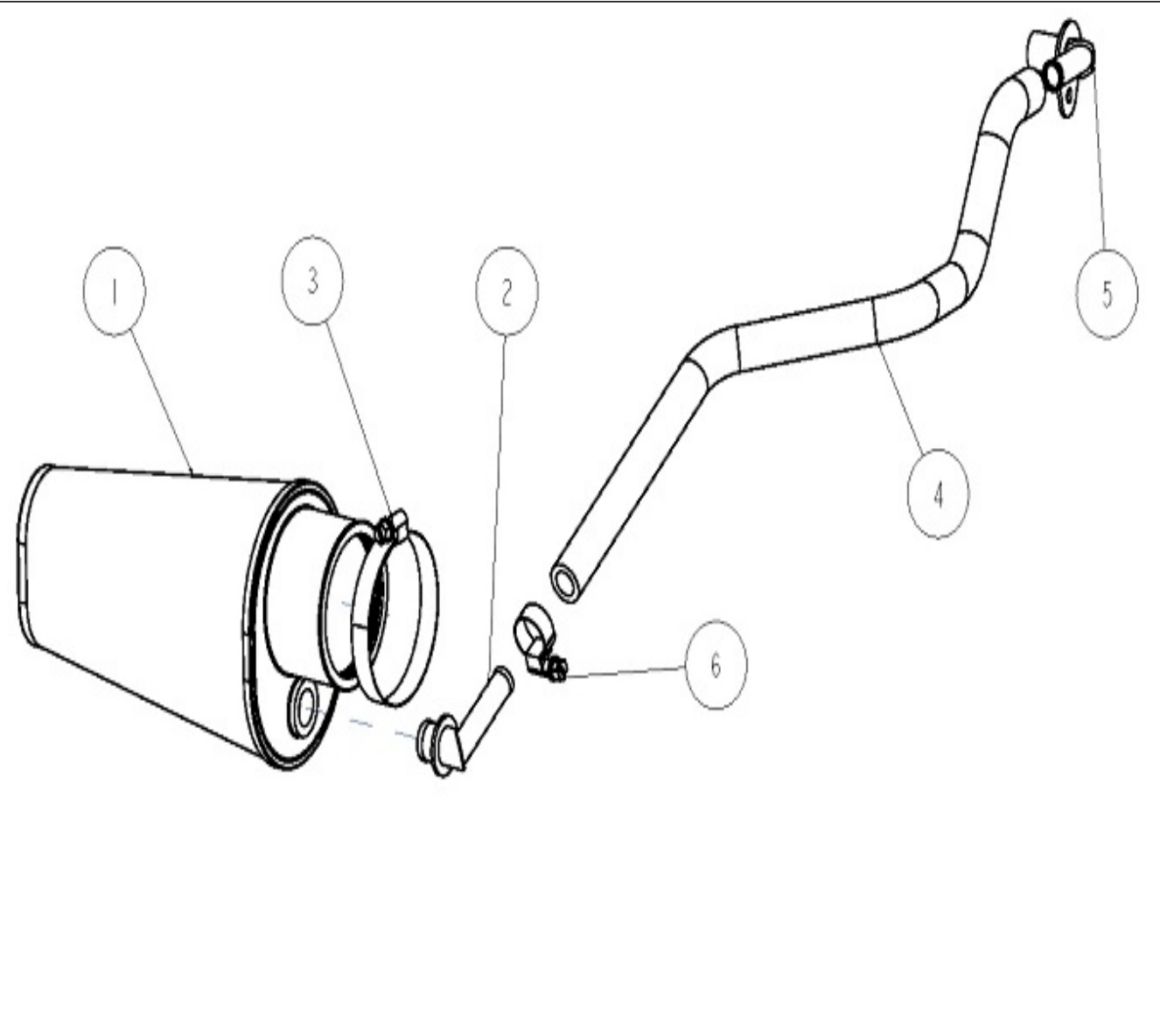
Brand: NanniDiesel

Model: Moteur T4.270 T4.230

Version: Standard

Subassembly: Air filter / PCV

N.	Item	Description	Qty	Notes
1	48101008	Air Cleaner	1	
2	51312006	RENIFLARD FILTRE M1KD 240	1	
3	970634620	CLAMP,HOSE 60-80	1	
4	48328265	DURITE RENIFLARD M1KD 240	1	
5	95310669	PCV elbow pipe	1	
6	970439306	CLAMP (++POUR DURITE ORIGINE REF HUILE MOTEUR)	1	



V. 20/01/2014

Pag. 18/51

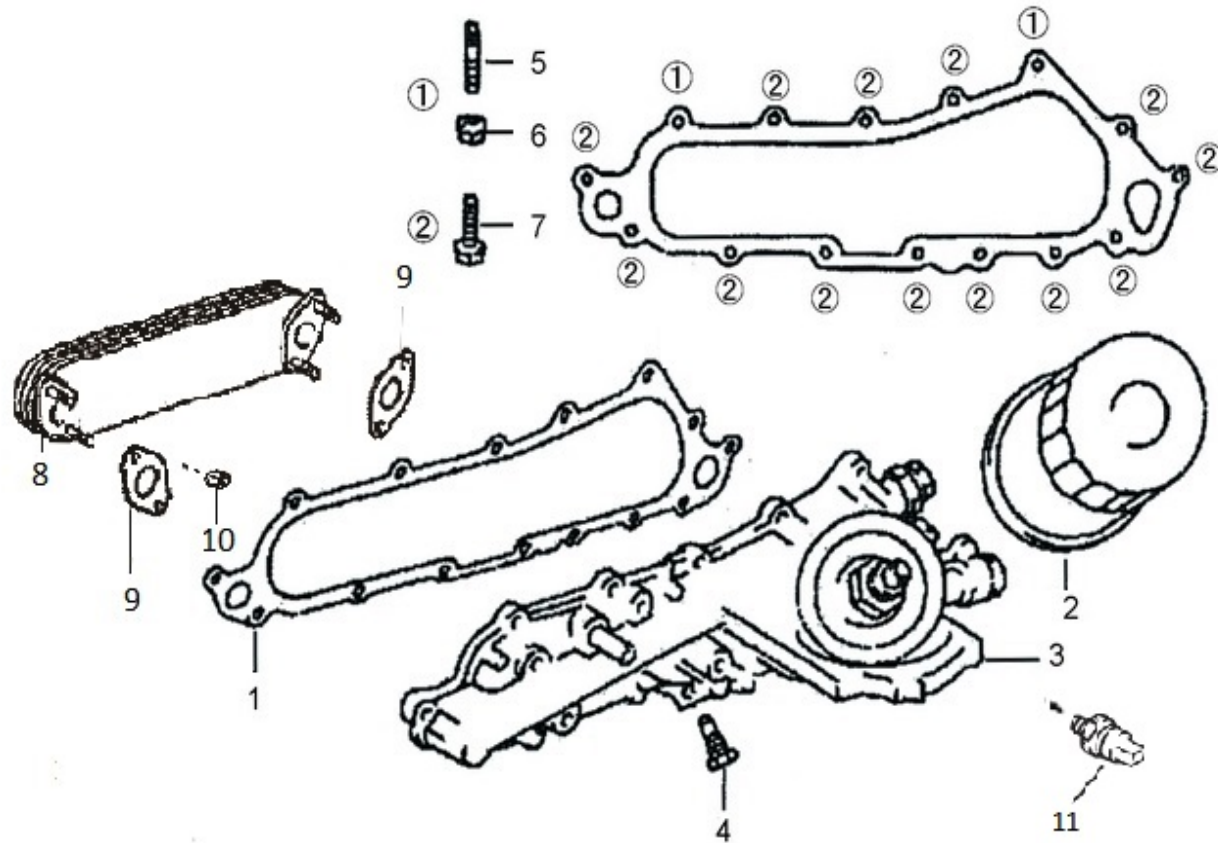
Brand: NanniDiesel

Model: Moteur T4.270 T4.230

Version: Standard

Subassembly: Oil / Cooler filter Assy

N.	Item	Description	Qty	Notes
1	970312206	GASKET	1	
2	970313306	FILTER ENGINE OIL	1	
3	970314031	COVER SUB-ASSY, OIL COOLER	1	
4	970312071	PLUG	1	
5	970316197	BOLT, STUD	2	
6	970312061	NUT	2	
7	970312210	BOLT,W/WASHER	13	
8	970314032	COOLER ASSY, OIL	1	
9	970312219	GASKET	1	
10	970316198	NUT, FLANGE	1	
11	970316199	GAGE ASSY, OIL PRESSURE SENDER	1	

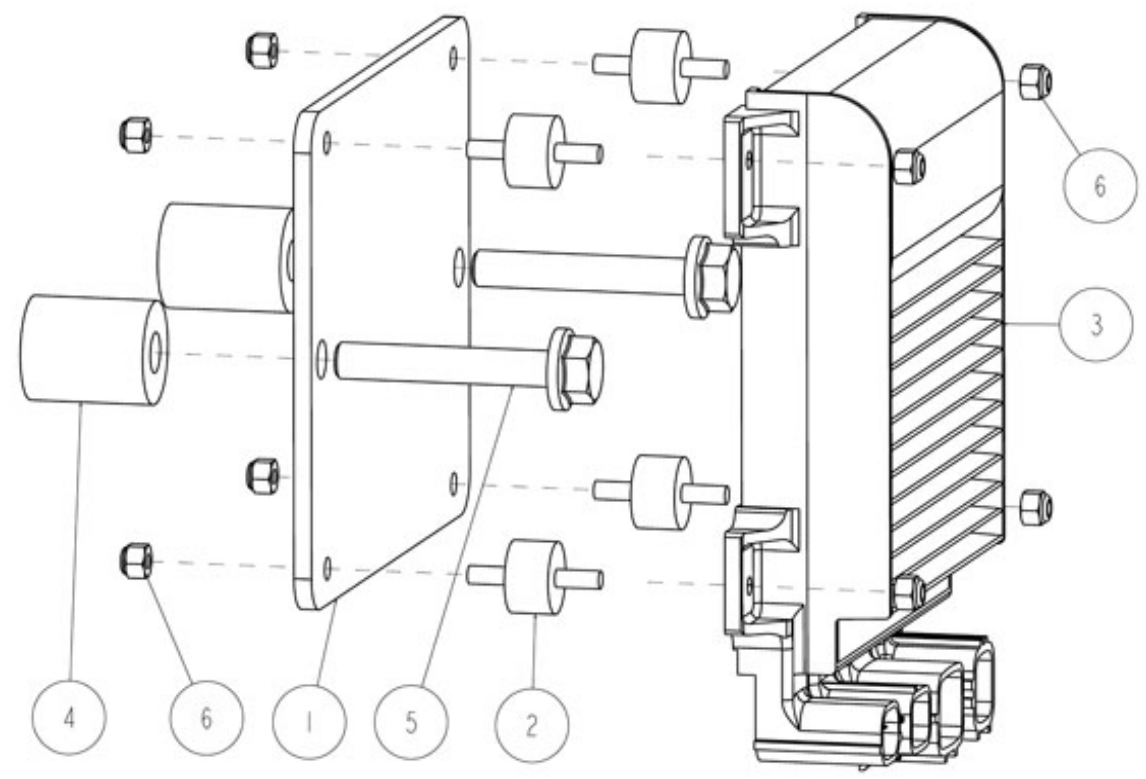


V. 20/01/2014

Pag. 19/51

Brand: NanniDiesel
 Model: Moteur T4.270 T4.230
 Version: Standard
 Subassembly: EDU Assy.

N.	Item	Description	Qty	Notes
1	95311044	SUPPORT EDU M1KD 240	1	
2	970312775	Insulator M/M, M4	4	
3	970316200	DRIVER, INJECTOR	1	
4	43320328	ENTRETOISE D20XD9 LG28mm M1KD-240	2	
5	39160642	BOLT	2	
6	39360919	Nut,lock, M4	8	



V. 20/01/2014

Pag. 20/51

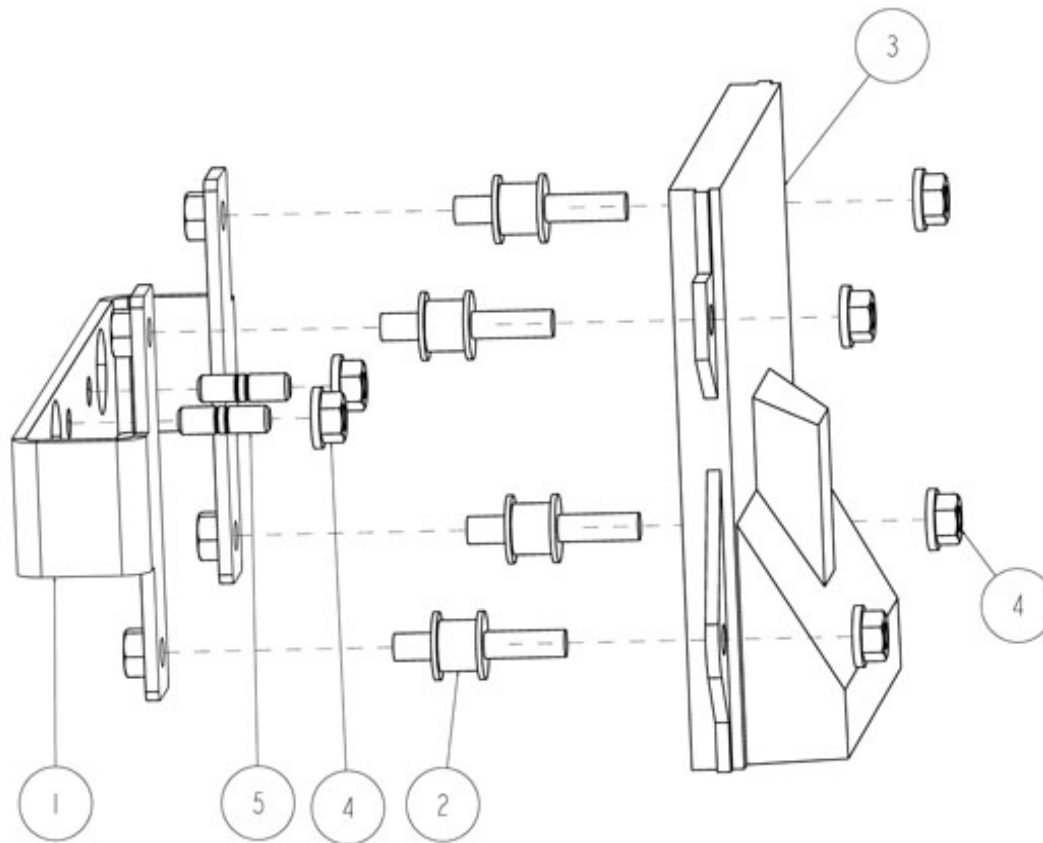
Brand: NanniDiesel

Model: Moteur T4.270 T4.230

Version: Standard

Subassembly: ECU Assy.

N.	Item	Description	Qty	Notes
1	95311046	SUPPORT ECU M1KD 240	1	
2	970314075	MONT, RUBBER	4	
3	970316201	HARDWARE, ENG CONTROL COMPUTER	1	
4	39460916	NUT (+++FIX ECHANGEUR)	6	
5	39020301	STUD BOLT (<= N° T203061009)	2	

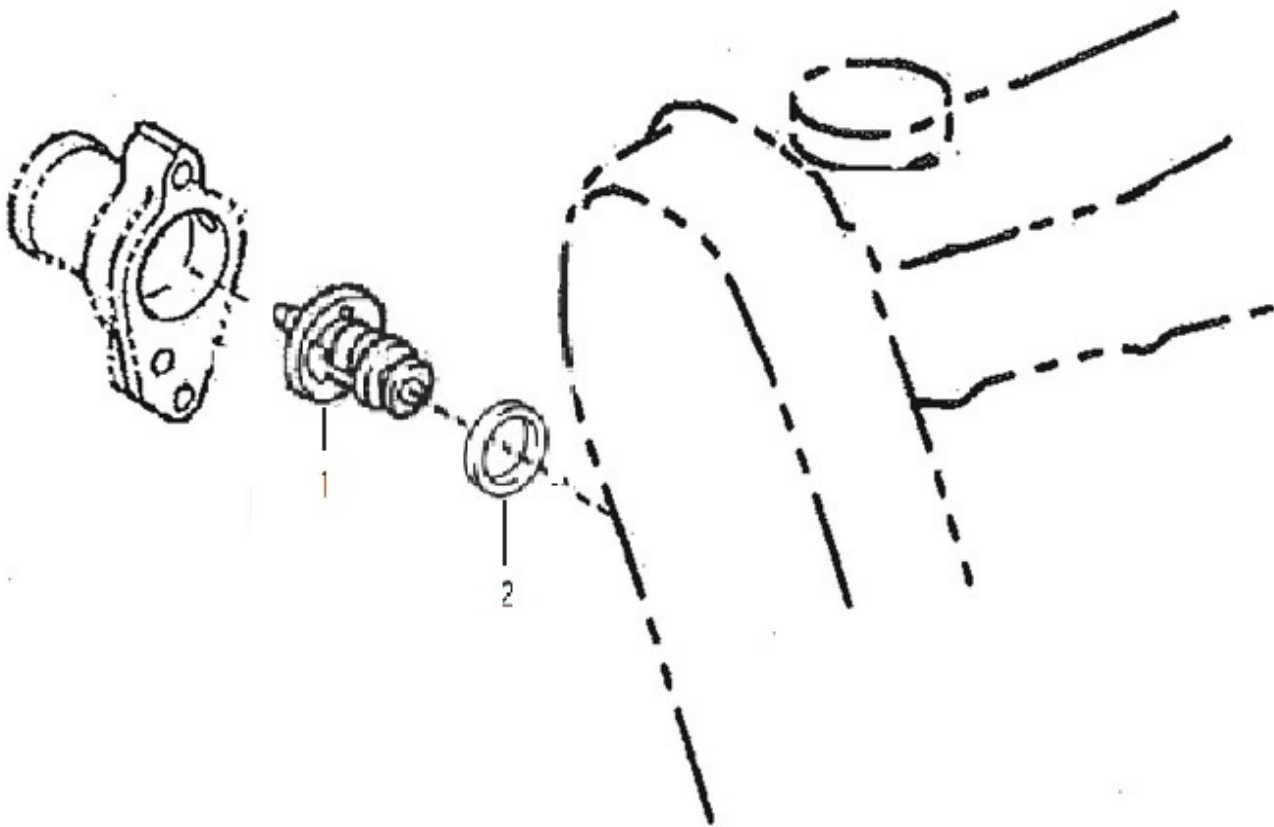


V. 20/01/2014

Pag. 21/51

Brand: NanniDiesel
Model: Moteur T4.270 T4.230
Version: Standard
Subassembly: Thermostat

N.	Item	Description	Qty	Notes
1	970312274	THERMOSTAT	1	
2	970316244	GASKET,THERMOSTAT	1	



V. 20/01/2014

Pag. 22/51

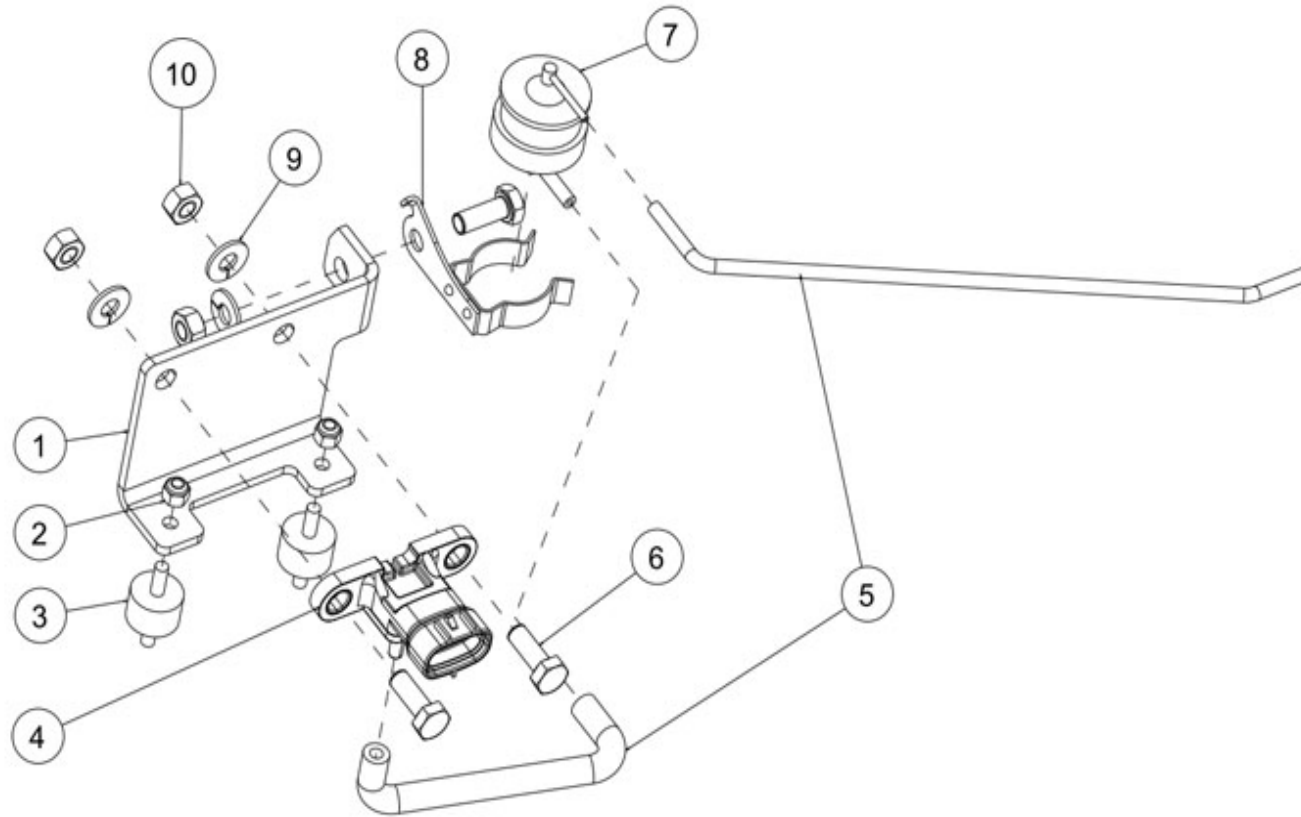
Brand: NanniDiesel

Model: Moteur T4.270 T4.230

Version: Standard

Subassembly: Intake Sensor

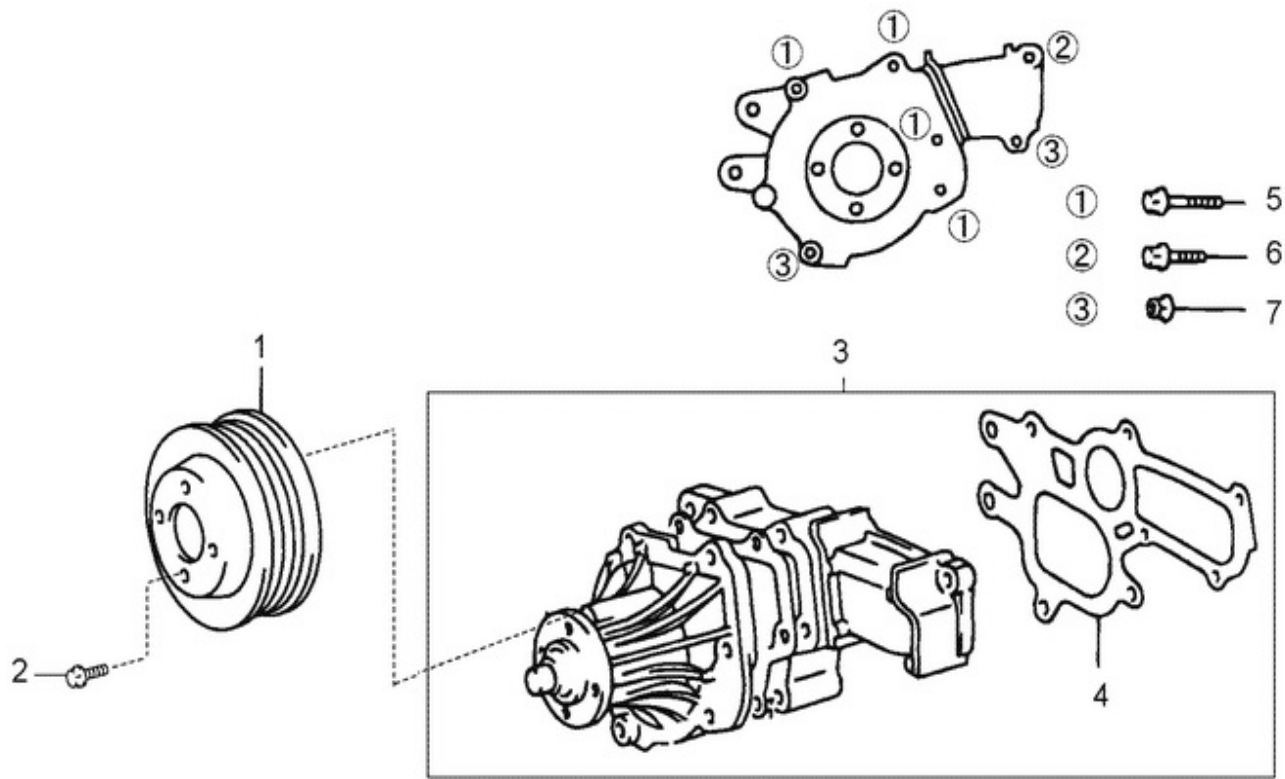
N.	Item	Description	Qty	Notes
1	95311059	SUPPORT CAPTEUR PRESSION AIR M1KD 240	1	
2	39360919	Nut,lock, M4	2	
3	970312775	Insulator M/M, M4	2	
4	970316202	SENSOR, TURBO PRESSURE	1	
5	970316203	HOSE, VACUUM	1	
6	970439910	BOLT,HEX M 6X 16 (+++FIX.SUPPORT AG ACC)	3	
7	970312285	FILTER,GAS	1	
8	970316204	CLAMP	1	
9	970119149	WASHER, SPRING D 6 (Pour protection injecteur)	3	
10	970635460	NUT,M 6	3	



V. 20/01/2014

Pag. 23/51

Brand: NanniDiesel	N.	Item	Description	Qty	Notes
Model: Moteur T4.270 T4.230	1	970314036	PULLEY, FAN	1	
Version: Standard	2	970316205	BOLT, FLANGE W/WASHER	4	
Subassembly: Fresh water pump	3	970316206	PUMP ASSY, WATER	1	
	4	970312228	GASKET, WATER PUMP, NO.1	1	
	5	970312231	BOLT, W/WASHER	4	
	6	970312210	BOLT, W/WASHER	1	
	7	970312061	NUT	2	



V. 20/01/2014

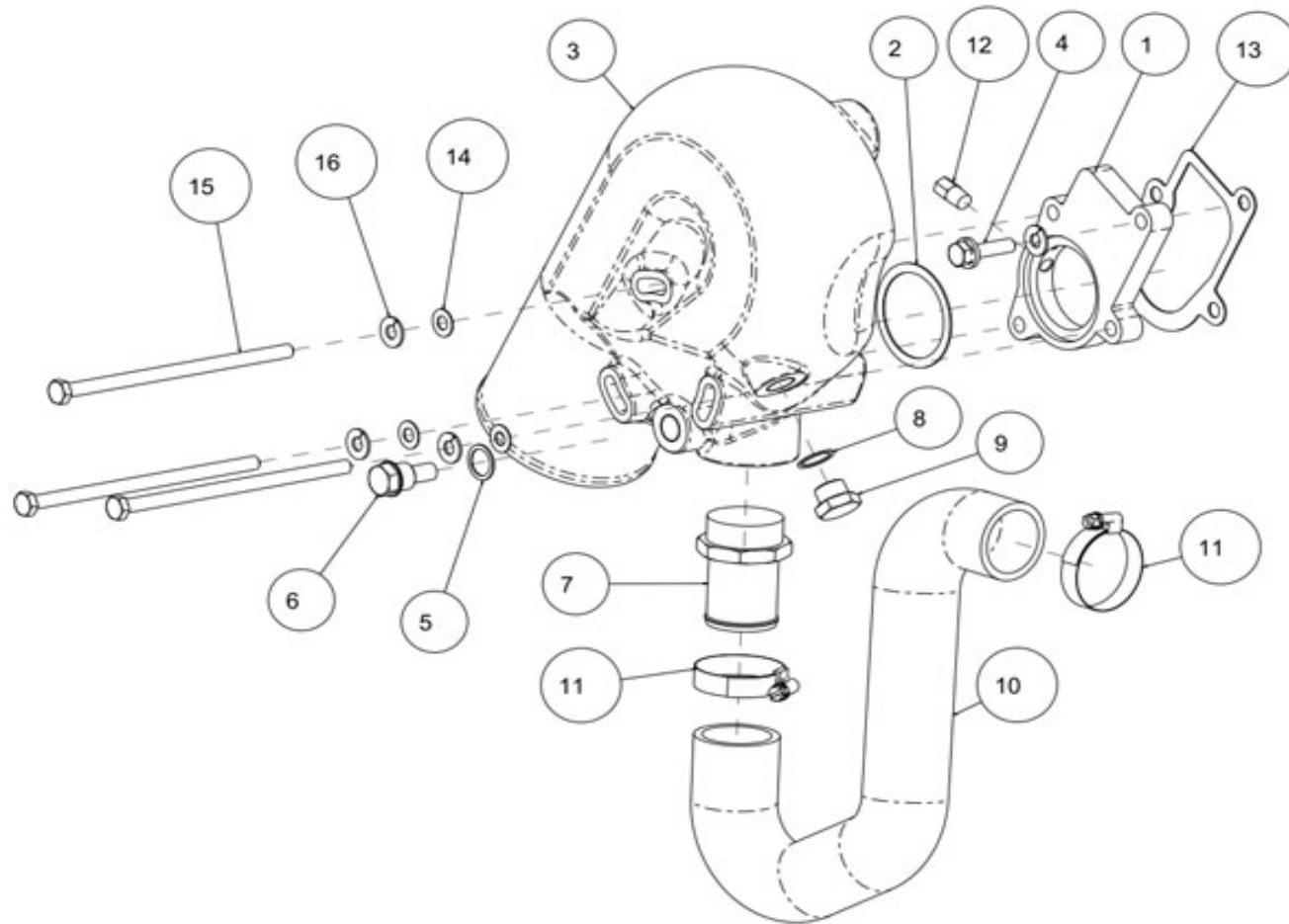
Pag. 24/51

Brand: NanniDiesel

Model: Moteur T4.270 T4.230

Version: Standard

Subassembly: Exhaust elbow



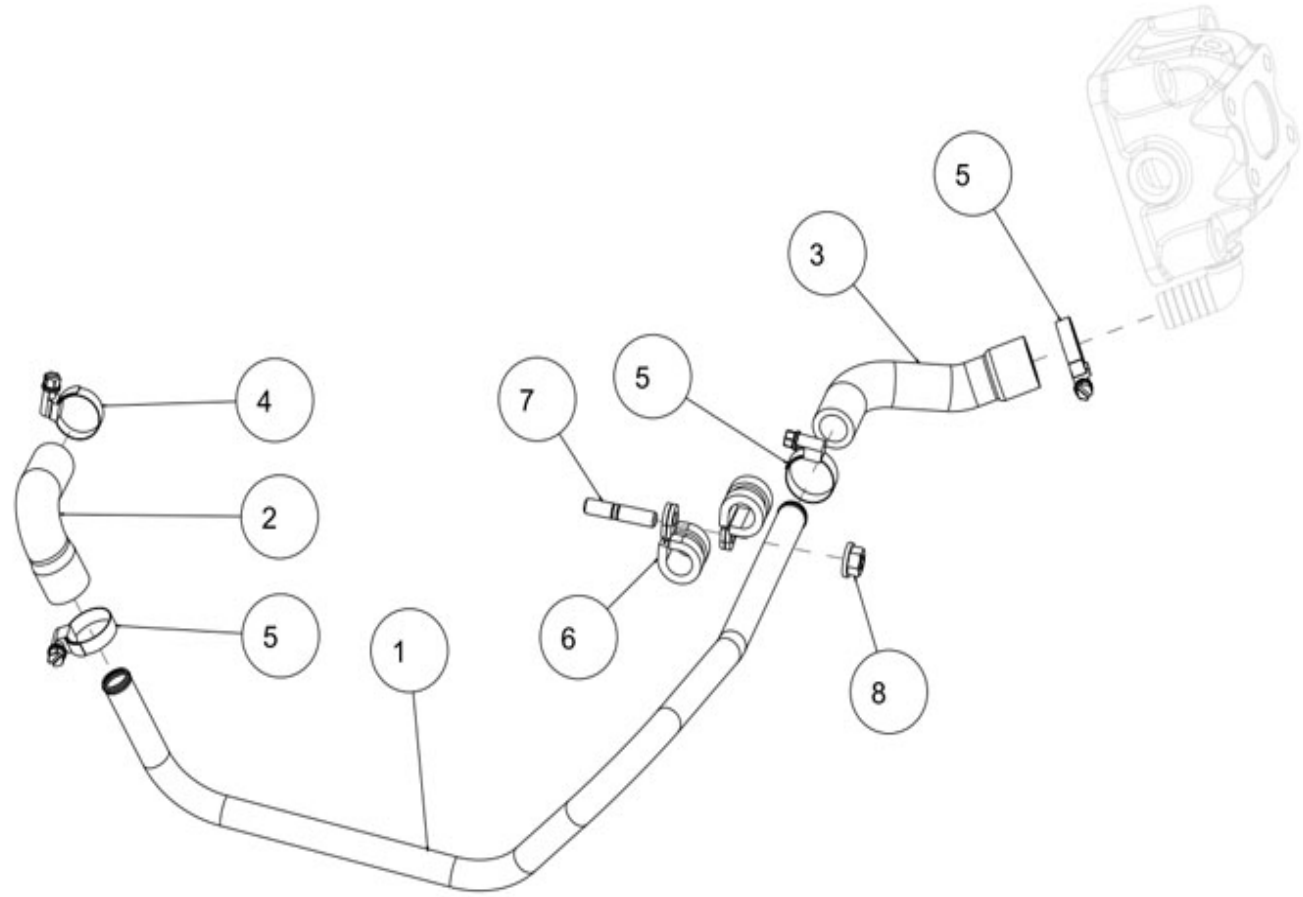
N.	Item	Description	Qty	Notes
1	95311058	BRIDE D'ECHAPPEMENT M1KD 240	1	
2	48438186	JOINT ECHAPPEMENT M1KD 260	1	
3	664227	ELBOW	1	
4	970647316	BOLT,HEX M 8X 35	1	
5	970300199	GASKET,RING D16	1	
6	970494635	ANODE,ZINC CPL M16X1,5	1	
7	970892603	BARBED END BRASS FITTING 1/4 (QUANTITE 3 R.P. 1	1	
8	970300289	GASKET,RING D17	1	
9	970639853	"PLUG,HEX 3/8""G"	1	
10	48328266	DURITE ECHANGEUR / ECHAPPEMENT M1KD 240	1	
11	970604533	CLAMP,HOSE 32-44 (QUANTITE 8 R.P. 4 LE 19/06/2008)	2	
12	970307265	PLUG,HEX 1/8	1	
13	970316207	GASKET, TURBINE OUTLET ELBOW	1	
14	970027323	WASHER,PLAIN D 8	3	
15	39160957	BOLT	3	
16	970119138	WASHER,SPRING D 8 (TENDEUR)	4	

V. 20/01/2014

Pag. 25/51

Brand: NanniDiesel
 Model: Moteur T4.270 T4.230
 Version: Standard
 Subassembly: Turbo charger water hose

N.	Item	Description	Qty	Notes
1	51306121	Pipe,Turbo Water	1	
2	48328123	HoseTurbo Water,No.1	1	
3	48328263	DURITE EAU DOUCE BRIDE ECHAPP M1KD 240	1	
4	970301604	CLAMP,HOSE 15-24 (ALIM EAU GENE)	1	
5	970604526	CLAMP,HOSE 22-32 (COTE ECHANGEUR)	3	
6	48100894	CLAMP	2	
7	970300080	STUD,M 8X 25 (+++ FIX TURBO)	1	
8	39460916	NUT (+++FIX ECHANGEUR)	1	



V. 20/01/2014

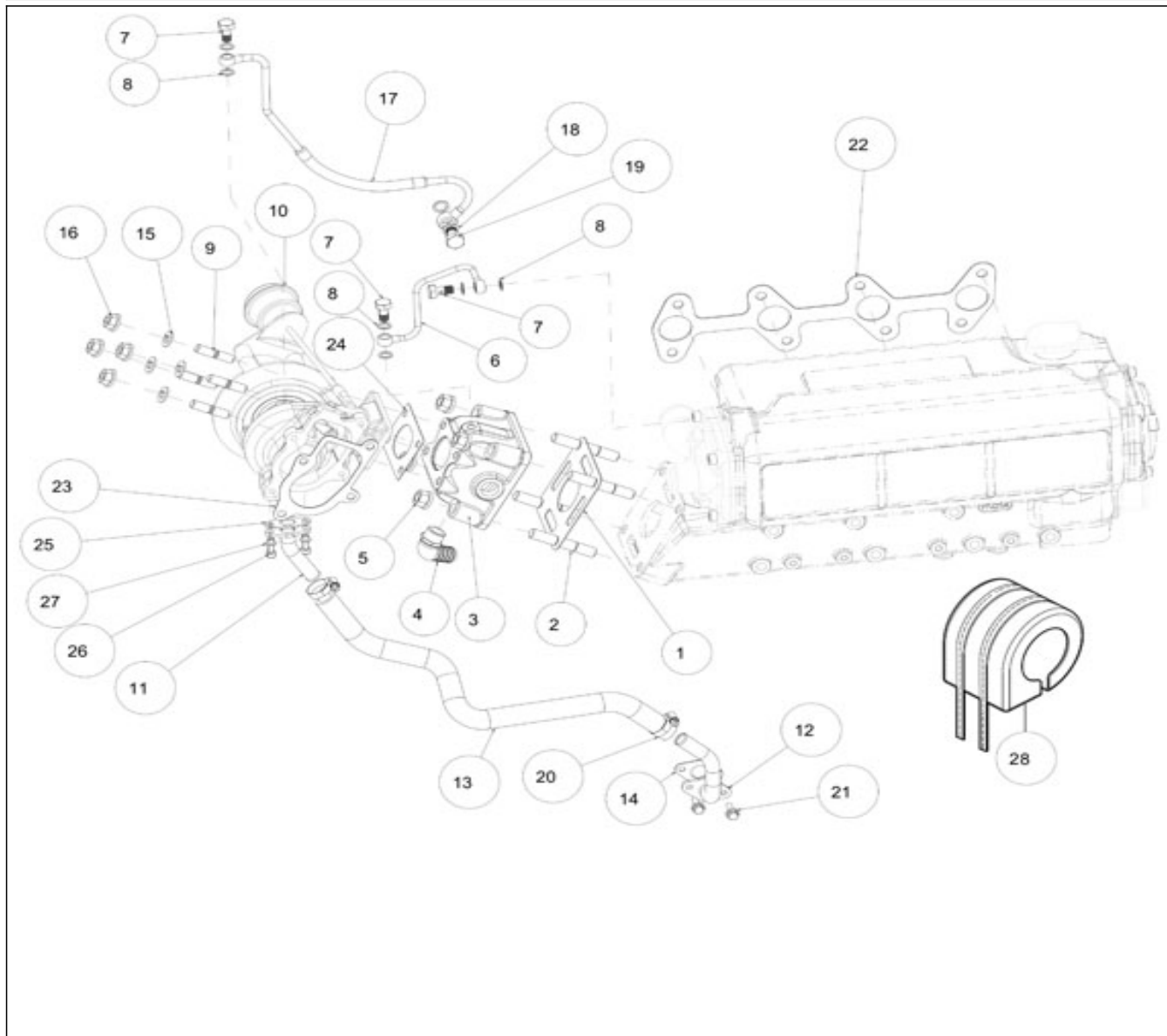
Pag. 26/51

Brand: NanniDiesel

Model: Moteur T4.270 T4.230

Version: Standard

Subassembly: Turbocharger



N.	Item	Description	Qty	Notes
1	970312244	GASKET TURBO	1	
2	39020631	STUD - M12,J24,,M12x1.25x55,8,8,ZN	4	
3	95200287	INTERFACE TURBO/ECHANGEUR M1KD-240	1	
4	48300423	BRASS ELBOW	1	
5	970314099	NUT	4	
6	51306128	TUYAU DEGAZAGE ARR M1KD 240	1	
7	970300717	BOLT,BANJO M10X1,25 (=> N° T501050058)	3	
8	970300430	GASKET,RING D10 (+++ FIX TUYAU GRAISSAGE SUR	6	
9	970649725	STUD (=> N°T10306523)	4	
10	970316208	TURBO CHARGER, ASSY	1	
11	51315004	TUYAU RETOUR GRAISSAGE TURBO M1KD-240----voir	1	
12	51315005	TUYAU RETOUR GRAISSAGE TURBO M1KD-240----voir	1	
13	48328264	DURITE RETOUR HUILE TURBO M1KD 240	1	
14	970314030	GASKET, TURBO OIL OUTLET, NO.1	1	
15	970119136	WASHER,SPRING D10 (POUR INVERSEUR)	4	
16	39460920	NUT	4	
17	51308020	TUYAU GRAISSAGE TURBO M1KD-240----VOIR LIB---	1	
18	970316210	GASKET	1	
19	970312248	BOLT, UNION	1	
20	970301604	CLAMP,HOSE 15-24 (ALIM EAU GENE)	2	
21	970312251	BOLT	2	
22	970312253	GASKET EXHAUST MANIFOLD	1	
23	970316211	GASKET, TURBINE OUTLET ELBOW	1	
24	970316212	GASKET, TURBO CHARGER	1	
25	970310508	GASKET NA (A vérifier livraison avec base moteur)	1	
26	970604615	BOLT,SOCK M 6X 20	0	
27	970119149	WASHER, SPRING D 6 (Pour protection injecteur)	1	
28	970316213	HEAT INSUMATOR, TURBO	1	

V. 20/01/2014

Pag. 27/51

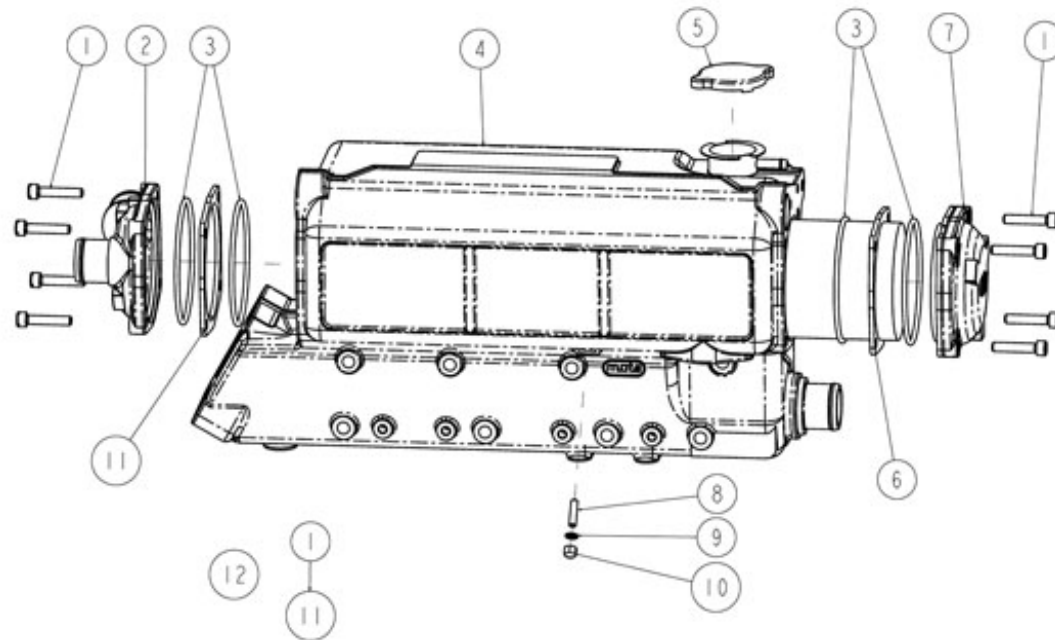
Brand: NanniDiesel

Model: Moteur T4.270 T4.230

Version: Standard

Subassembly: Heat exchanger spare parts

N.	Item	Description	Qty	Notes
1	970635916	BOLT,SOCK M 8X 35 (+++ FIX COUDE ECHAP)	8	
2	370314987	null	1	
3	48418167	O RING	4	
4	970316214	HOUSING,HEATEXCHANGER	1	
5	970314988	HEAT EXCHANGER CAP 0.95B	1	
6	970312451	TUBE STACK	1	
7	970312450	COVER	1	
8	970312802	BOLT M6x25	1	
9	970312803	BUSH	1	
10	970312804	NUT	1	
11	970312453	SPACER	1	
12	48300466	ECHANGEUR EAU/EAU M1KD 240	1	



V. 20/01/2014

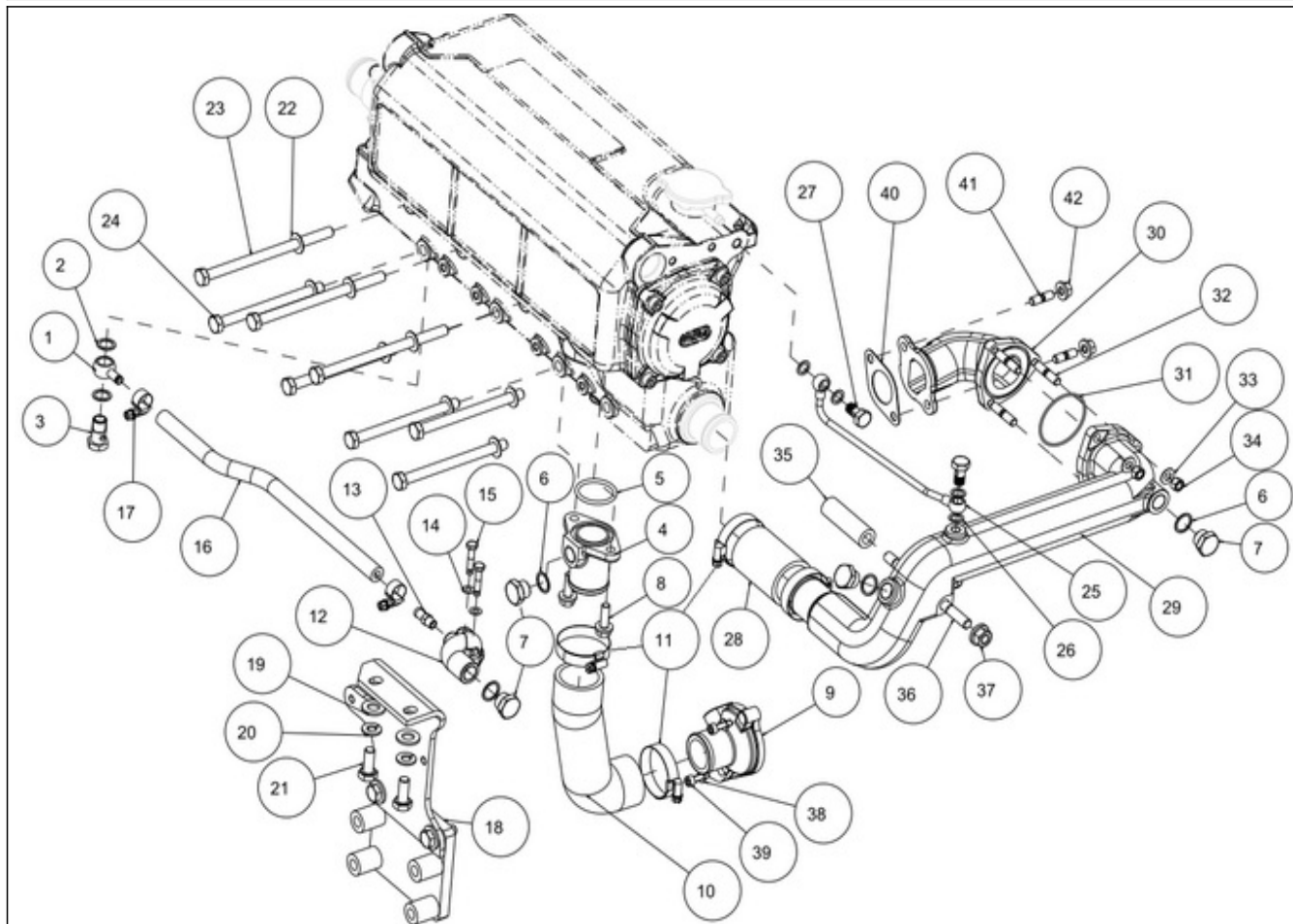
Pag. 28/51

Brand: NanniDiesel

Model: Moteur T4.270 T4.230

Version: Standard

Subassembly: Heat exchanger exh. Manifold



N.	Item	Description	Qty	Notes
1	970300797	CONNECTION,BANJO D=8/M14 (=> N°KT08090423)	1	
2	970300307	Replaced By 970300306 - GASKET,RING D14	2	
3	970432515	BOLT,BANJO M14X1,5 (=> N°KT08090423)	1	
4	95710032	FRESH FrWATER INLET PIPE 2 (AVEC JOINT 970311194)	1	
5	48418054	O RING (=> N° T209050794)	1	
6	970300289	GASKET,RING D17	4	
7	970639853	"PLUG,HEX 3/8""G"	4	
8	39160638	BOLT (+++FIX FILTRE SUR SUPPORT)	2	
9	95710037	BRIDE RET EAU M1KD240 ----voir libellé-----	1	
10	48328100	Fresh Water Hose 2	1	
11	970604533	CLAMP,HOSE 32-44 (QUANTITE 8 R.P. 4 LE 19/06/2008)	4	
12	95200289	BY-PASS M1KD 240	1	
13	970307806	Nipple (++Montage LOCTITE verte)	1	
14	970609602	WASHER,CORRUGATED D 6 (GRAISSEE SERRAGE 1.7	2	
15	970300275	BOLT,HEX M 6X 25	2	
16	32808002	FUEL HOSE ISO 7840 D8	1	
17	970439306	CLAMP (++POUR DURITE ORIGINE REF HUILE MOTEUR)	2	
18	95310542	SUPPORT	1	
19	970119135	WASHER,PLAIN D10 (DONT DEUX POUR CALAGE GALET	2	
20	970119136	WASHER,SPRING D10 (POUR INVERSEUR)	2	
21	970635508	BOLT,HEX M10X 25 (VIS DE BOUT D ARBRE)	2	
22	970119137	WASHER,CORRUGATED D10	8	
23	39160454	BOLT	3	
24	970310228	BOLT	5	
25	51306123	Air Breather Pipe	1	
26	970300430	GASKET,RING D10 (+++ FIX TUYAU GRAISSAGE SUR	4	
27	970300717	BOLT,BANJO M10X1,25 (=> N° T501050058)	2	
28	970644590	HOSE,D40 L= 70	1	
29	95200245	Fresh Water Outlet Pipe 2	1	
30	95200246	Fresh Water Outlet Pipe 1	1	
31	48418178	O-RING	1	
32	970300057	STUD,M 8X 20 (+++FIX TURBO)	3	
33	970119139	WASHER,CORRUGATED D8 (DONT 3 PTO)	3	
34	970300079	NUT,M 8 SPECIAL	3	
35	43320294	SPACER	1	
36	39020439	STUD BOLT	1	
37	39460917	NUT,FLANGE	1	
38	970609602	WASHER,CORRUGATED D 6 (GRAISSEE SERRAGE 1.7	3	
39	970604615	BOLT,SOCK M 6X 20	2	
40	970314035	GASKET	1	
41	39020301	STUD BOLT (<= N° T203061009)	2	
42	39460916	NUT (+++FIX ECHANGEUR)	2	

V. 20/01/2014

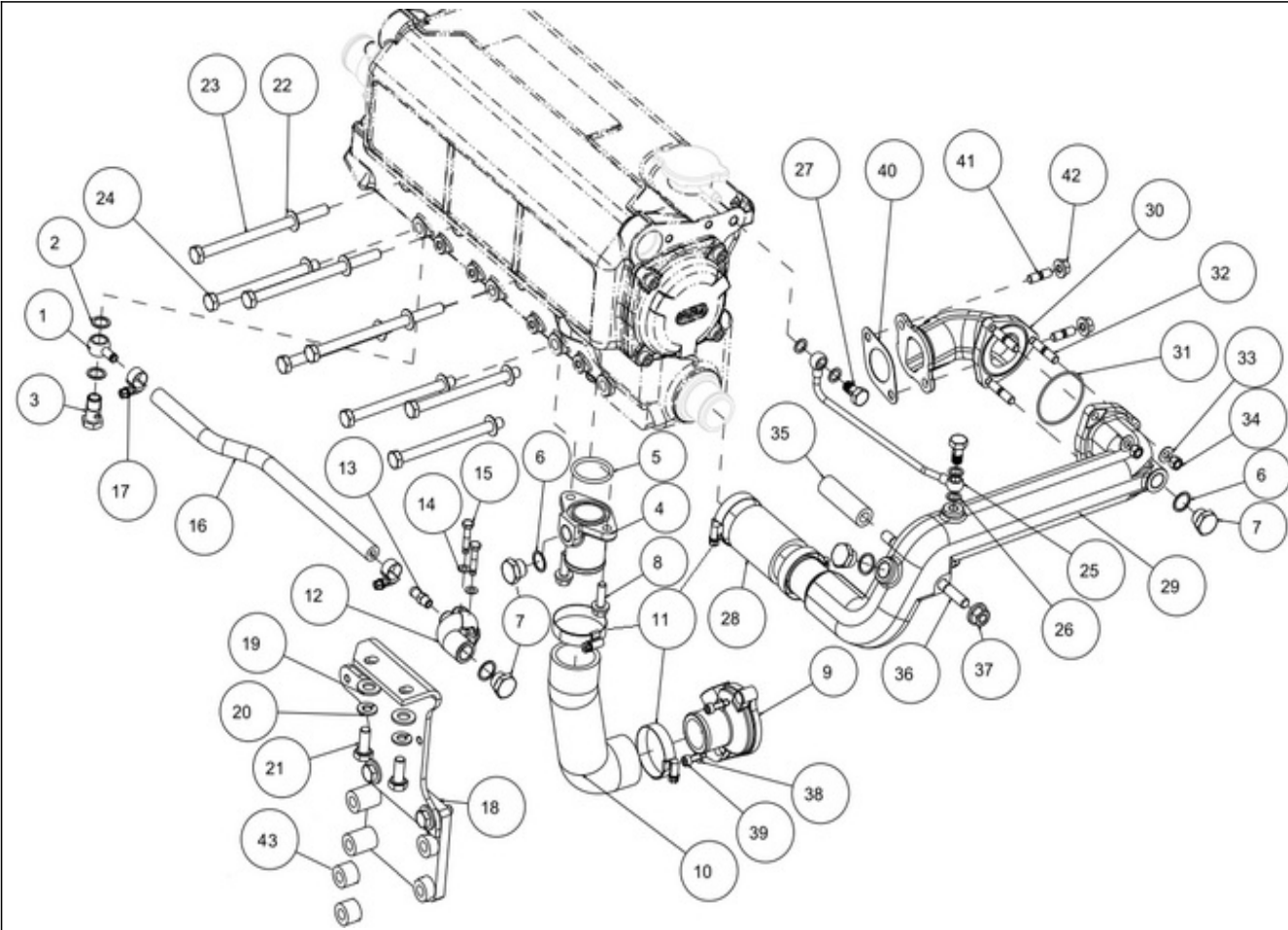
Pag. 29/51

Brand: NanniDiesel

Model: Moteur T4.270 T4.230

Version: Standard

Subassembly: Heat exchanger PONAM/SARD



N.	Item	Description	Qty	Notes
1	970300797	CONNECTION,BANJO D=8/M14 (=> N°KT08090423)	1	
2	970300307	Replaced By 970300306 - GASKET,RING D14	2	
3	970432515	BOLT,BANJO M14X1,5 (=> N°KT08090423)	1	
4	95710032	FRESH FwWATER INLET PIPE 2 (AVEC JOINT 970311194)	1	
5	48418054	O RING (=> N° T209050794)	1	
6	970300289	GASKET,RING D17	4	
7	970639853	"PLUG,HEX 3/8""G"	4	
8	39160638	BOLT (+++FIX FILTRE SUR SUPPORT)	2	
9	95710037	BRIDE RET EAU M1KD240 ----voir libellé-----	1	
10	48328100	Fresh Water Hose 2	1	
11	970604533	CLAMP,HOSE 32-44 (QUANTITE 8 R.P. 4 LE 19/06/2008)	4	
12	95200289	BY-PASS M1KD 240	1	
13	970307806	Nipple (++)Montage LOCTITE verte)	1	
14	970609602	WASHER,CORRUGATED D 6 (GRAISSEE SERRAGE 1.7	2	
15	970300275	BOLT,HEX M 6X 25	2	
16	32808002	FUEL HOSE ISO 7840 D8	1	
17	970439306	CLAMP (++)POUR DURITE ORIGINE REF HUILE MOTEUR)	2	
18	95311124	SUPPORT	1	
19	970119135	WASHER,PLAIN D10 (DONT DEUX POUR CALAGE GALET	2	
20	970119136	WASHER,SPRING D10 (POUR INVERSEUR)	2	
21	970635508	BOLT,HEX M10X 25 (VIS DE BOUT D ARBRE)	2	
22	970119137	WASHER,CORRUGATED D10	8	
23	39160454	BOLT	3	
24	970310228	BOLT	5	
25	51306123	Air Breather Pipe	1	
26	970300430	GASKET,RING D10 (+++ FIX TUYAU GRAISSAGE SUR	4	
27	970300717	BOLT,BANJO M10X1,25 (=> N° T501050058)	2	
28	970644590	HOSE,D40 L= 70	1	
29	95200245	Fresh Water Outlet Pipe 2	1	
30	95200246	Fresh Water Outlet Pipe 1	1	
31	48418178	O-RING	1	
32	970300057	STUD,M 8X 20 (+++FIX TURBO)	3	
33	970119139	WASHER,CORRUGATED D8 (DONT 3 PTO)	3	
34	970300079	NUT,M 8 SPECIAL	3	
35	43320294	SPACER	1	
36	39020439	STUD BOLT	1	
37	39460917	NUT,FLANGE	1	
38	970609602	WASHER,CORRUGATED D 6 (GRAISSEE SERRAGE 1.7	3	
39	970604615	BOLT,SOCK M 6X 20	2	
40	970314035	GASKET	1	
41	39020301	STUD BOLT (<= N° T203061009)	2	
42	39460916	NUT (+++FIX ECHANGEUR)	2	
43	43320334	ENTRETOISE D22X11 H23 MM T4.270 Z4.270 PONAM	2	
1	970300797	CONNECTION,BANJO D=8/M14 (=> N°KT08090423)	1	
2	970300307	Replaced By 970300306 - GASKET,RING D14	2	
3	970432515	BOLT,BANJO M14X1,5 (=> N°KT08090423)	1	
4	95710032	FRESH FwWATER INLET PIPE 2 (AVEC JOINT 970311194)	1	
5	48418054	O RING (=> N° T209050794)	1	
6	970300289	GASKET,RING D17	4	
7	970639853	"PLUG,HEX 3/8""G"	4	
8	39160638	BOLT (+++FIX FILTRE SUR SUPPORT)	2	
9	95710037	BRIDE RET EAU M1KD240 ----voir libellé-----	1	
10	48328100	Fresh Water Hose 2	1	
11	970604533	CLAMP,HOSE 32-44 (QUANTITE 8 R.P. 4 LE 19/06/2008)	4	
12	95200289	BY-PASS M1KD 240	1	

V. 20/01/2014

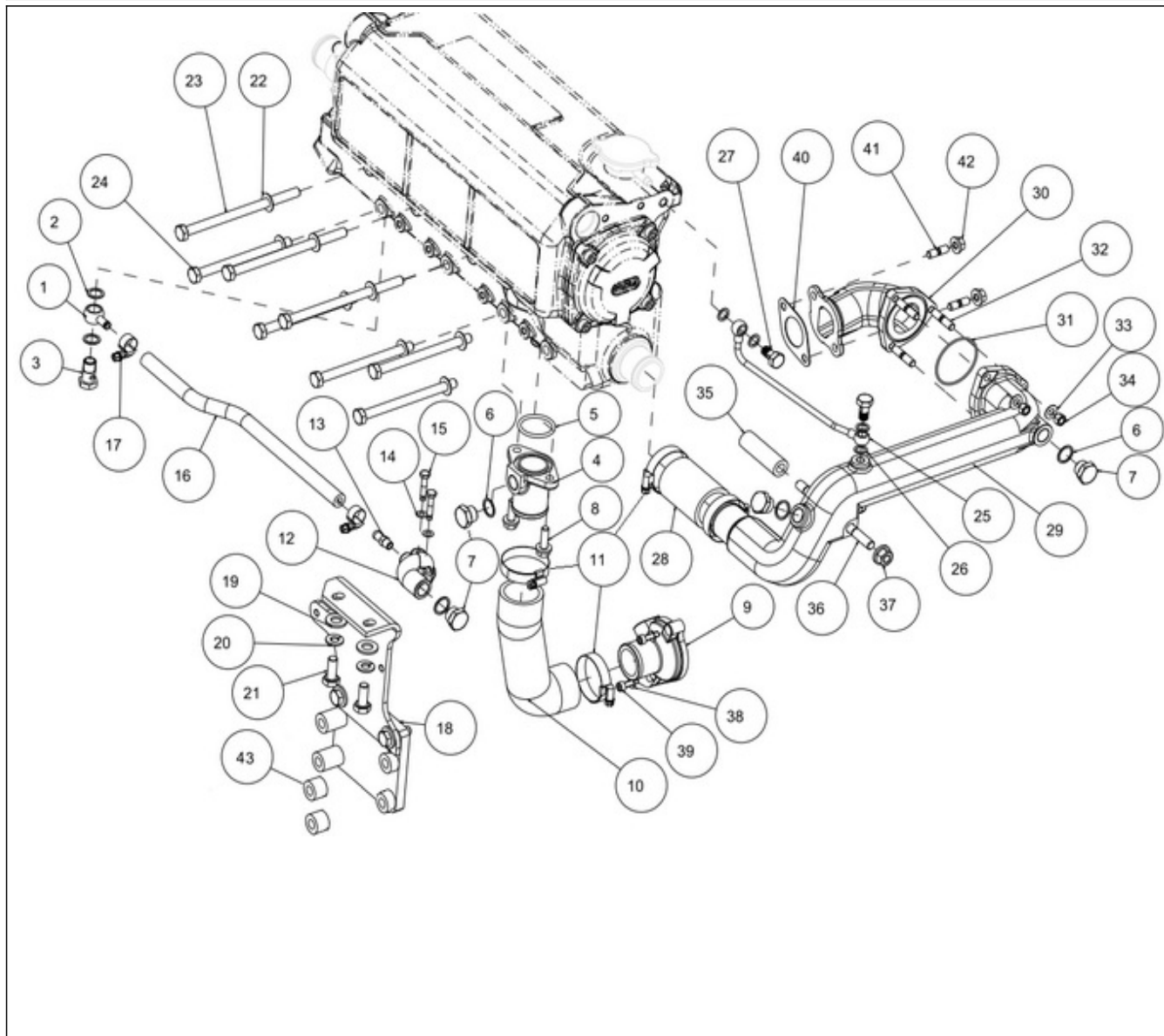
Pag. 30/51

Brand: NanniDiesel

Model: Moteur T4.270 T4.230

Version: Standard

Subassembly: Heat exchanger PONAM/SARD



N.	Item	Description	Qty	Notes
13	970307806	Nipple (++)Montage LOCTITE verte)	1	
14	970609602	WASHER,CORRUGATED D 6 (GRAISSEE SERRAGE 1.7	2	
15	970300275	BOLT,HEX M 6X 25	2	
16	32808002	FUEL HOSE ISO 7840 D8	1	
17	970439306	CLAMP (++)POUR DURITE ORIGINE REF HUILE MOTEUR)	2	
18	95311124	SUPPORT	1	
19	970119135	WASHER,PLAIN D10 (DONT DEUX POUR CALAGE GALET	2	
20	970119136	WASHER,SPRING D10 (POUR INVERSEUR)	2	
21	970635508	BOLT,HEX M10X 25 (VIS DE BOUT D ARBRE)	2	
22	970119137	WASHER,CORRUGATED D10	8	
23	39160454	BOLT	3	
24	970310228	BOLT	5	
25	51306123	Air Breather Pipe	1	
26	970300430	GASKET,RING D10 (+++ FIX TUYAU GRAISSAGE SUR	4	
27	970300717	BOLT,BANJO M10X1,25 (=> N° T501050058)	2	
28	970644590	HOSE,D40 L= 70	1	
29	95200245	Fresh Water Outlet Pipe 2	1	
30	95200246	Fresh Water Outlet Pipe 1	1	
31	48418178	O-RING	1	
32	970300057	STUD,M 8X 20 (+++FIX TURBO)	3	
33	970119139	WASHER,CORRUGATED D8 (DONT 3 PTO)	3	
34	970300079	NUT,M 8 SPECIAL	3	
35	43320294	SPACER	1	
36	39020439	STUD BOLT	1	
37	39460917	NUT,FLANGE	1	
38	970609602	WASHER,CORRUGATED D 6 (GRAISSEE SERRAGE 1.7	3	
39	970604615	BOLT,SOCK M 6X 20	2	
40	970314035	GASKET	1	
41	39020301	STUD BOLT (<= N° T203061009)	2	
42	39460916	NUT (++)FIX ECHANGEUR)	2	
43	43320334	ENTRETOISE D22X11 H23 MM T4.270 Z4.270 PONAM SARD	2	

V. 20/01/2014

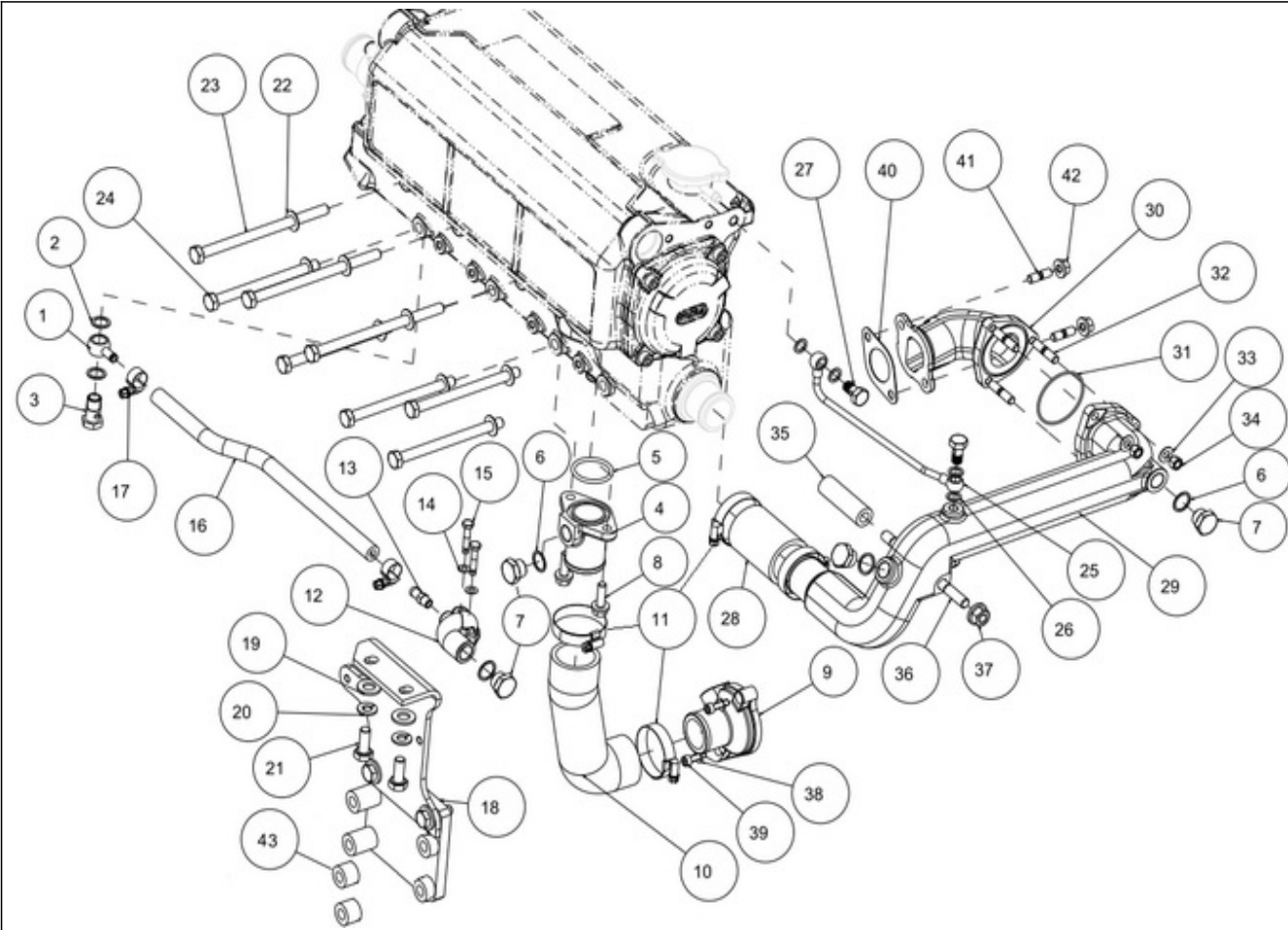
Pag. 31/51

Brand: NanniDiesel

Model: Moteur T4.270 T4.230

Version: Standard

Subassembly: Heat exchanger PONAM/SARD



N.	Item	Description	Qty	Notes
1	970300797	CONNECTION,BANJO D=8/M14 (=> N°KT08090423)	1	
2	970300307	Replaced By 970300306 - GASKET,RING D14	2	
3	970432515	BOLT,BANJO M14X1,5 (=> N°KT08090423)	1	
4	95710032	FRESH FwWATER INLET PIPE 2 (AVEC JOINT 970311194)	1	
5	48418054	O RING (=> N° T209050794)	1	
6	970300289	GASKET,RING D17	4	
7	970639853	"PLUG,HEX 3/8""G"	4	
8	39160638	BOLT (+++FIX FILTRE SUR SUPPORT)	2	
9	95710037	BRIDE RET EAU M1KD240 -----voir libellé-----	1	
10	48328100	Fresh Water Hose 2	1	
11	970604533	CLAMP,HOSE 32-44 (QUANTITE 8 R.P. 4 LE 19/06/2008)	4	
12	95200289	BY-PASS M1KD 240	1	
13	970307806	Nipple (++)Montage LOCTITE verte)	1	
14	970609602	WASHER,CORRUGATED D 6 (GRAISSEE SERRAGE 1.7	2	
15	970300275	BOLT,HEX M 6X 25	2	
16	32808002	FUEL HOSE ISO 7840 D8	1	
17	970439306	CLAMP (++)POUR DURITE ORIGINE REF HUILE MOTEUR)	2	
18	95311124	SUPPORT	1	
19	970119135	WASHER,PLAIN D10 (DONT DEUX POUR CALAGE GALET	2	
20	970119136	WASHER,SPRING D10 (POUR INVERSEUR)	2	
21	970635508	BOLT,HEX M10X 25 (VIS DE BOUT D ARBRE)	2	
22	970119137	WASHER,CORRUGATED D10	8	
23	39160454	BOLT	3	
24	970310228	BOLT	5	
25	51306123	Air Breather Pipe	1	
26	970300430	GASKET,RING D10 (+++ FIX TUYAU GRAISSAGE SUR	4	
27	970300717	BOLT,BANJO M10X1,25 (=> N° T501050058)	2	
28	970644590	HOSE,D40 L= 70	1	
29	95200245	Fresh Water Outlet Pipe 2	1	
30	95200246	Fresh Water Outlet Pipe 1	1	
31	48418178	O-RING	1	
32	970300057	STUD,M 8X 20 (+++FIX TURBO)	3	
33	970119139	WASHER,CORRUGATED D8 (DONT 3 PTO)	3	
34	970300079	NUT,M 8 SPECIAL	3	
35	43320294	SPACER	1	
36	39020439	STUD BOLT	1	
37	39460917	NUT,FLANGE	1	
38	970609602	WASHER,CORRUGATED D 6 (GRAISSEE SERRAGE 1.7	3	
39	970604615	BOLT,SOCK M 6X 20	2	
40	970314035	GASKET	1	
41	39020301	STUD BOLT (<= N° T203061009)	2	
42	39460916	NUT (+++FIX ECHANGEUR)	2	
43	43320334	ENTRETOISE D22X11 H23 MM T4.270 Z4.270 PONAM	2	
1	970300797	CONNECTION,BANJO D=8/M14 (=> N°KT08090423)	1	
2	970300307	Replaced By 970300306 - GASKET,RING D14	2	
3	970432515	BOLT,BANJO M14X1,5 (=> N°KT08090423)	1	
4	95710032	FRESH FwWATER INLET PIPE 2 (AVEC JOINT 970311194)	1	
5	48418054	O RING (=> N° T209050794)	1	
6	970300289	GASKET,RING D17	4	
7	970639853	"PLUG,HEX 3/8""G"	4	
8	39160638	BOLT (+++FIX FILTRE SUR SUPPORT)	2	
9	95710037	BRIDE RET EAU M1KD240 -----voir libellé-----	1	
10	48328100	Fresh Water Hose 2	1	
11	970604533	CLAMP,HOSE 32-44 (QUANTITE 8 R.P. 4 LE 19/06/2008)	4	
12	95200289	BY-PASS M1KD 240	1	

V. 20/01/2014

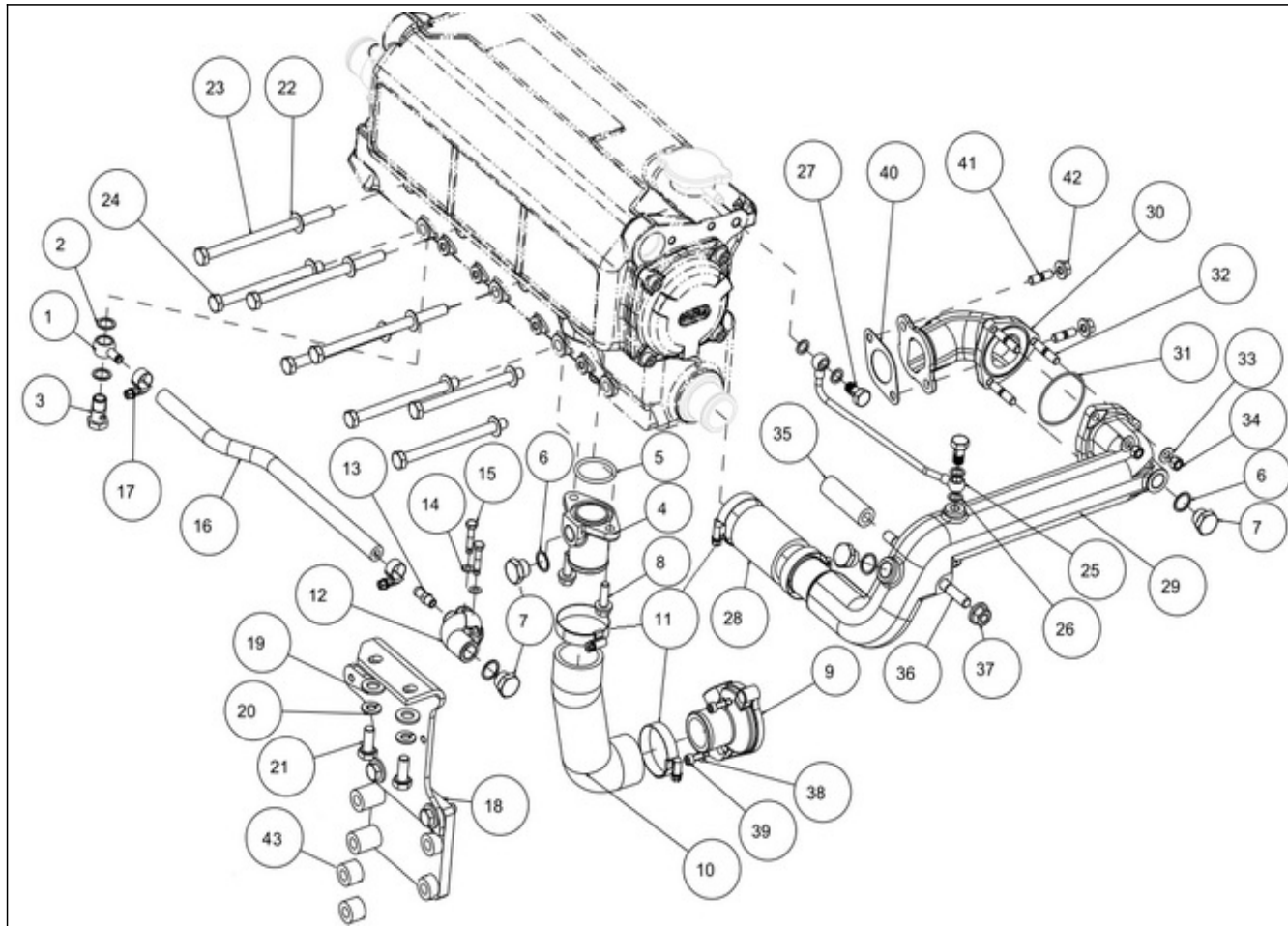
Pag. 32/51

Brand: NanniDiesel

Model: Moteur T4.270 T4.230

Version: Standard

Subassembly: Heat exchanger PONAM/SARD



N.	Item	Description	Qty	Notes
13	970307806	Nipple (++)Montage LOCTITE verte)	1	
14	970609602	WASHER,CORRUGATED D 6 (GRAISSEE SERRAGE 1.7	2	
15	970300275	BOLT,HEX M 6X 25	2	
16	32808002	FUEL HOSE ISO 7840 D8	1	
17	970439306	CLAMP (++)POUR DURITE ORIGINE REF HUILE MOTEUR)	2	
18	95311124	SUPPORT	1	
19	970119135	WASHER,PLAIN D10 (DONT DEUX POUR CALAGE GALET	2	
20	970119136	WASHER,SPRING D10 (POUR INVERSEUR)	2	
21	970635508	BOLT,HEX M10X 25 (VIS DE BOUT D ARBRE)	2	
22	970119137	WASHER,CORRUGATED D10	8	
23	39160454	BOLT	3	
24	970310228	BOLT	5	
25	51306123	Air Breather Pipe	1	
26	970300430	GASKET,RING D10 (+++ FIX TUYAU GRAISSAGE SUR	4	
27	970300717	BOLT,BANJO M10X1,25 (=> N° T501050058)	2	
28	970644590	HOSE,D40 L= 70	1	
29	95200245	Fresh Water Outlet Pipe 2	1	
30	95200246	Fresh Water Outlet Pipe 1	1	
31	48418178	O-RING	1	
32	970300057	STUD,M 8X 20 (+++FIX TURBO)	3	
33	970119139	WASHER,CORRUGATED D8 (DONT 3 PTO)	3	
34	970300079	NUT,M 8 SPECIAL	3	
35	43320294	SPACER	1	
36	39020439	STUD BOLT	1	
37	39460917	NUT,FLANGE	1	
38	970609602	WASHER,CORRUGATED D 6 (GRAISSEE SERRAGE 1.7	3	
39	970604615	BOLT,SOCK M 6X 20	2	
40	970314035	GASKET	1	
41	39020301	STUD BOLT (<= N° T203061009)	2	
42	39460916	NUT (++)FIX ECHANGEUR)	2	
43	43320334	ENTRETOISE D22X11 H23 MM T4.270 Z4.270 PONAM SARD	2	

V. 20/01/2014

Pag. 33/51

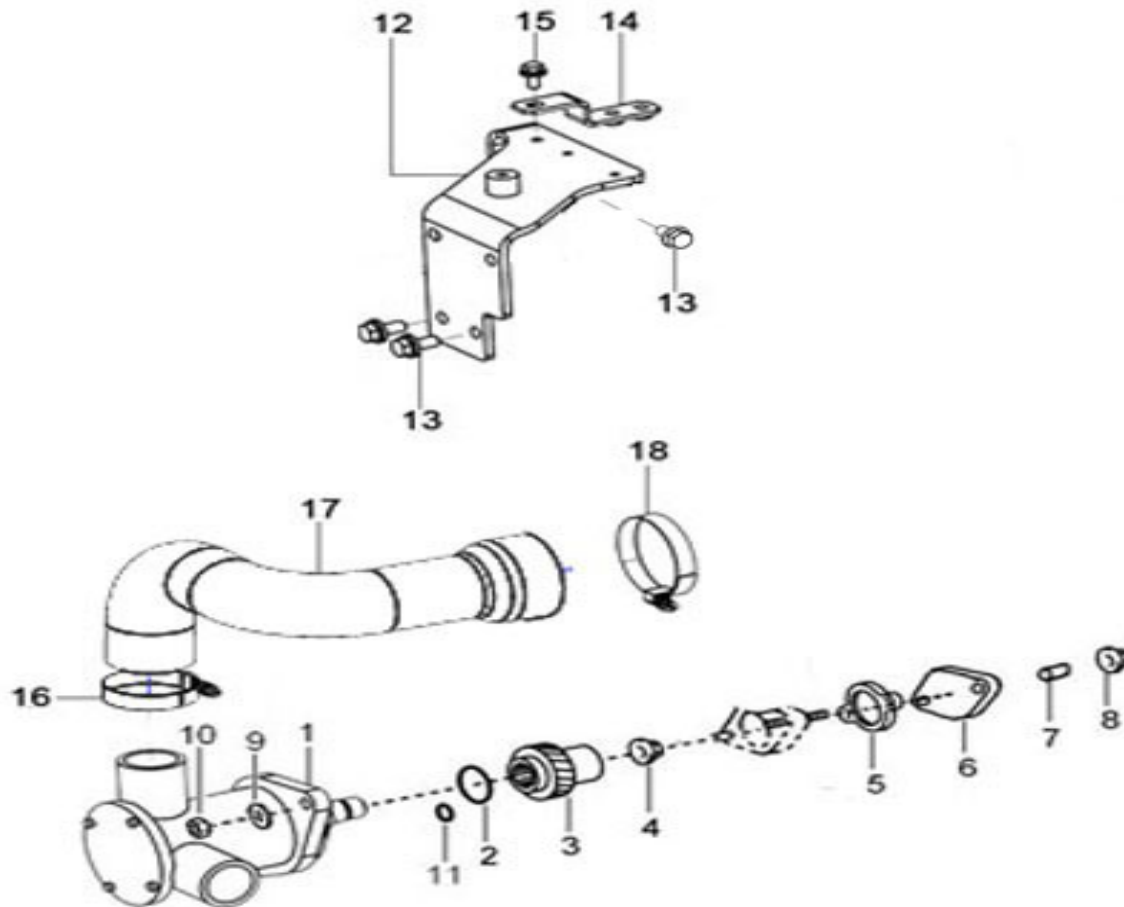
Brand: NanniDiesel

Model: Moteur T4.270 T4.230

Version: Standard

Subassembly: Seawater pump Assy

N.	Item	Description	Qty	Notes
1	970312478	KEY	1	
2	970314078	PACKING, VACUUM PUMP	1	
3	970312234	GEAR PUMP	1	
4	970312235	NUT	1	
5	970312590	GASKET,CYLINDER BLOCK SIDE COV - ER	1	
6	970312055	PLATE,WATER SEAL	1	
7	970312592	SPACER	2	
8	970312591	NUT	2	
9	970027323	WASHER,PLAIN D 8	2	
10	39460916	NUT (+++FIX ECHANGEUR)	2	
11	970302856	O-RING	1	
12	95310676	Sea water filter bracket	1	
13	39160661	BOLT (+++SUPPRIMER LA VIS DU MONTAGE STANDARD)	3	
14	95303445	PATTE SUPP TUYAUX D'INJECTION M1KD240	1	
15	39160735	BOLT	1	
16	970604533	CLAMP,HOSE 32-44 (QUANTITE 8 R.P. 4 LE 19/06/2008)	1	
17	48328139	HOSE	1	
18	970300071	CLAMP,HOSE 50-65	1	



V. 20/01/2014

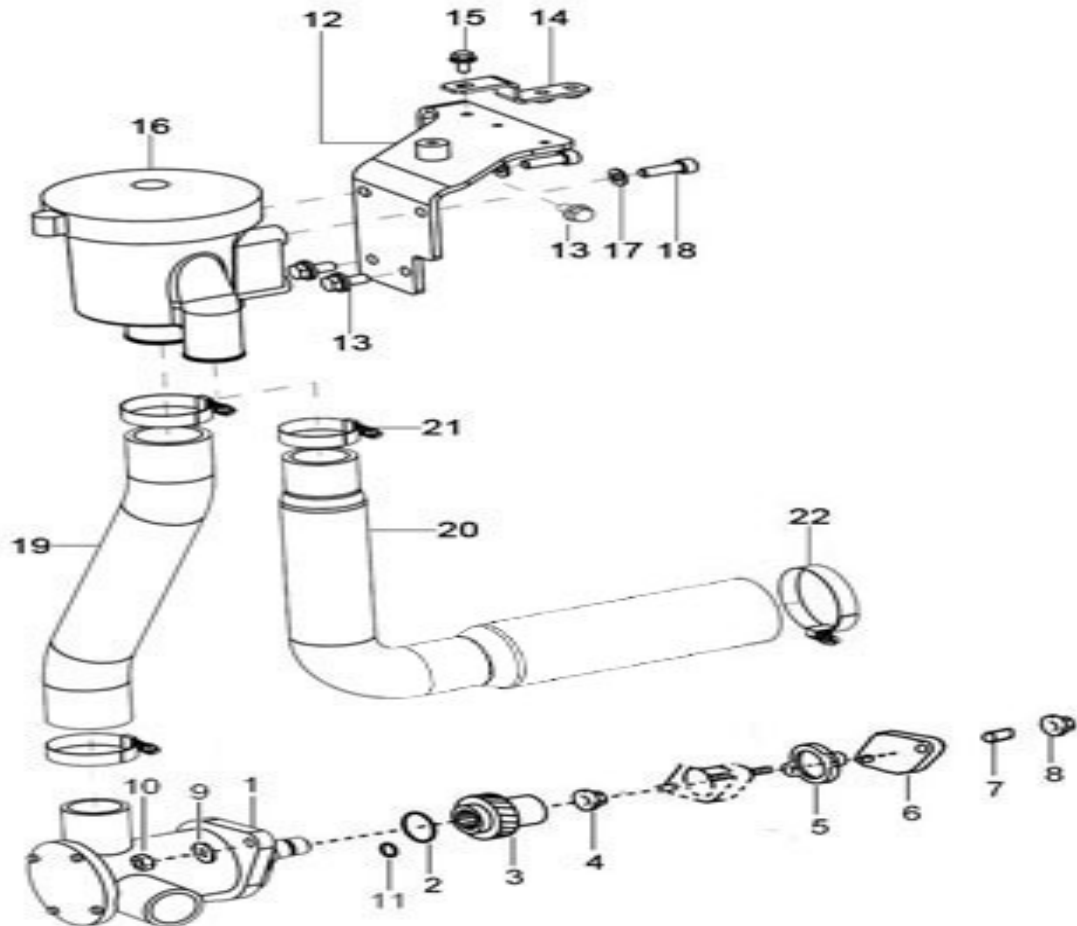
Pag. 34/51

Brand: NanniDiesel

Model: Moteur T4.270 T4.230

Version: Standard

Subassembly: Seawater pump Assy SARD



N.	Item	Description	Qty	Notes
1	970312478	KEY	1	
2	970314078	PACKING, VACUUM PUMP	1	
3	970312234	GEAR PUMP	1	
4	970312235	NUT	1	
5	970312590	GASKET,CYLINDER BLOCK SIDE COV - ER	1	
6	970312055	PLATE,WATER SEAL	1	
7	970312592	SPACER	2	
8	970312591	NUT	2	
9	970027323	WASHER,PLAIN D 8	2	
10	39460916	NUT (+++FIX ECHANGEUR)	2	
11	970302856	O-RING	1	
12	95310676	Sea water filter bracket	1	
13	39160661	BOLT (+++SUPPRIMER LA VIS DU MONTAGE STANDARD)	2	
14	95303445	PATTE SUPP TUYAUX D'INJECTION M1KD240	1	
15	39160735	BOLT	1	
16	970312484	SEA WATER FILTER	1	
17	39620405	WASHER (+++ FIX COUDE ECHAP)	2	
18	39120305	BOLT	2	
19	48328125	Sea Water Hose 1	1	
20	48328276	null	1	
21	970604533	CLAMP,HOSE 32-44 (QUANTITE 8 R.P. 4 LE 19/06/2008)	3	
22	970300071	CLAMP,HOSE 50-65	1	

V. 20/01/2014

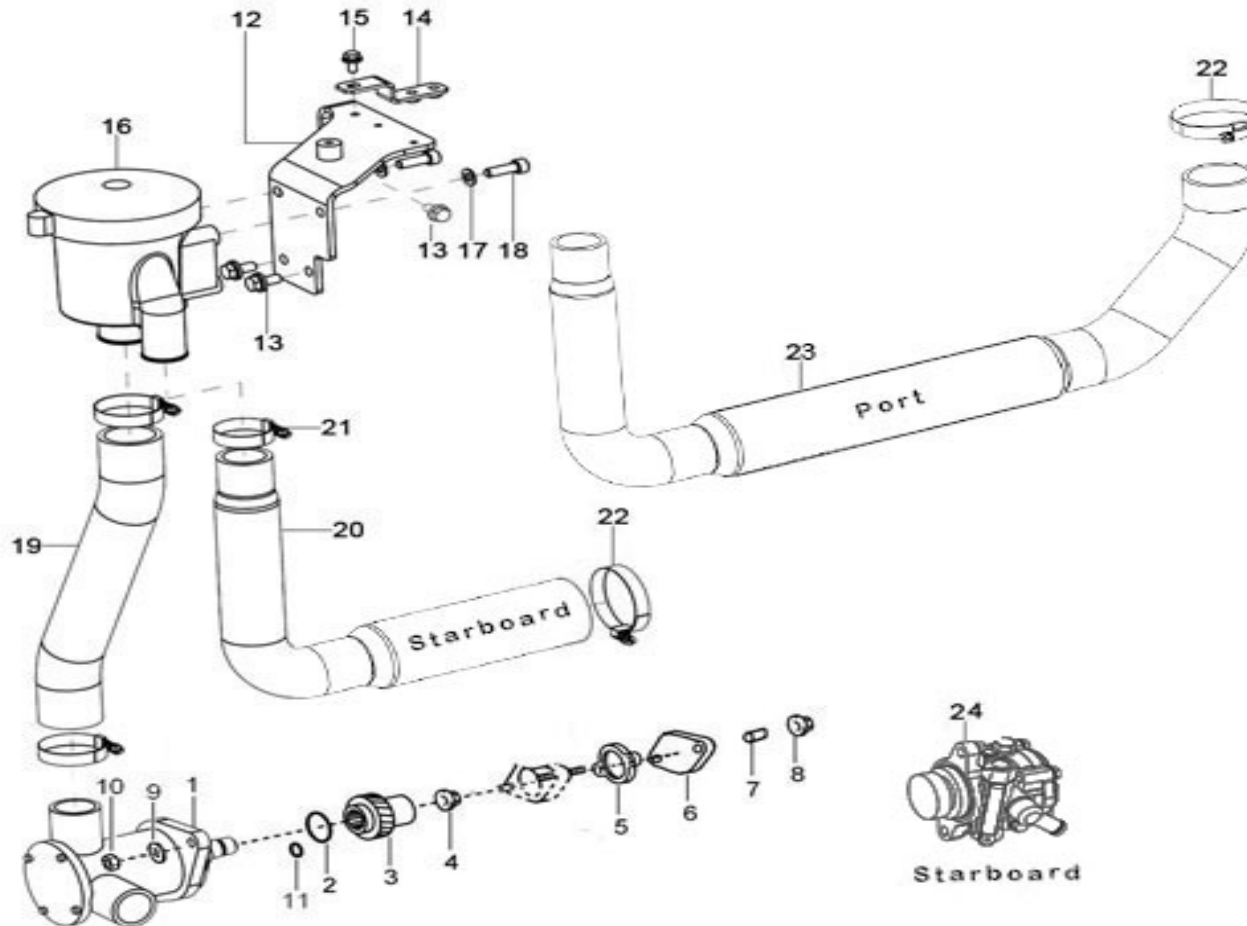
Pag. 35/51

Brand: NanniDiesel

Model: Moteur T4.270 T4.230

Version: Standard

Subassembly: Seawater pump Assy PONAM



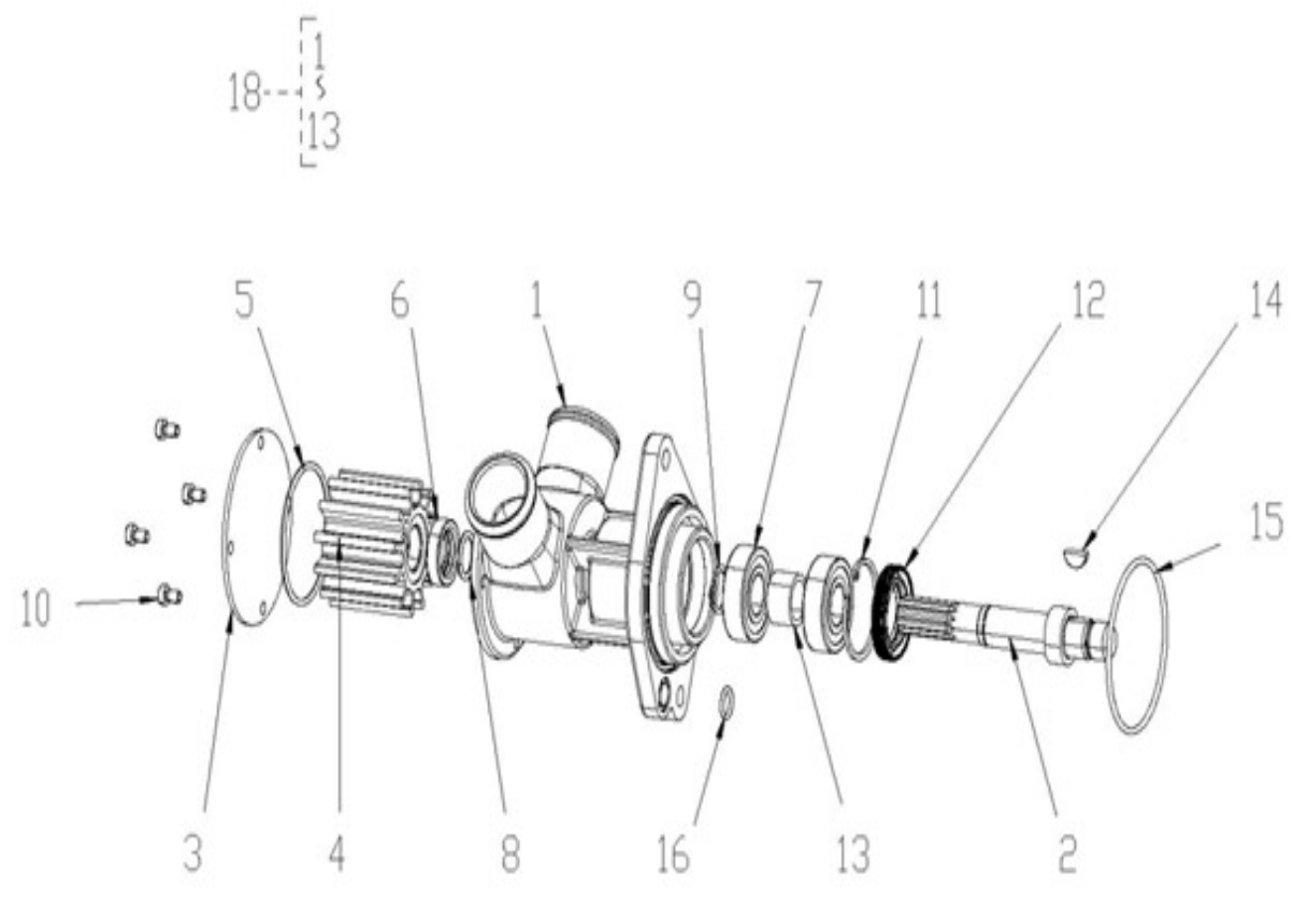
N.	Item	Description	Qty	Notes
1	970312478	KEY	1	
2	970314078	PACKING, VACUUM PUMP	1	
3	970312234	GEAR PUMP	1	
4	970312235	NUT	1	
5	970312590	GASKET,CYLINDER BLOCK SIDE COV - ER	1	
6	970312055	PLATE,WATER SEAL	1	
7	970312592	SPACER	2	
8	970312591	NUT	2	
9	970027323	WASHER,PLAIN D 8	2	
10	39460916	NUT (+++FIX ECHANGEUR)	2	
11	970302856	O-RING	1	
12	95310676	Sea water filter bracket	1	
13	39160661	BOLT (+++SUPPRIMER LA VIS DU MONTAGE STANDARD)	2	
14	95303445	PATTE SUPP TUYAUX D'INJECTION M1KD240	1	
15	39160735	BOLT	1	
16	970312484	SEA WATER FILTER	1	
17	39620405	WASHER (+++ FIX COUDE ECHAP)	2	
18	39120305	BOLT	2	
19	48328125	Sea Water Hose 1	1	
20	48328276	null	1	
21	970604533	CLAMP,HOSE 32-44 (QUANTITE 8 R.P. 4 LE 19/06/2008)	3	
22	970300071	CLAMP,HOSE 50-65	1	
23	48328277	HOSE	1	

V. 20/01/2014

Pag. 36/51

Brand: NanniDiesel
 Model: Moteur T4.270 T4.230
 Version: Standard
 Subassembly: Seawater pump Ass

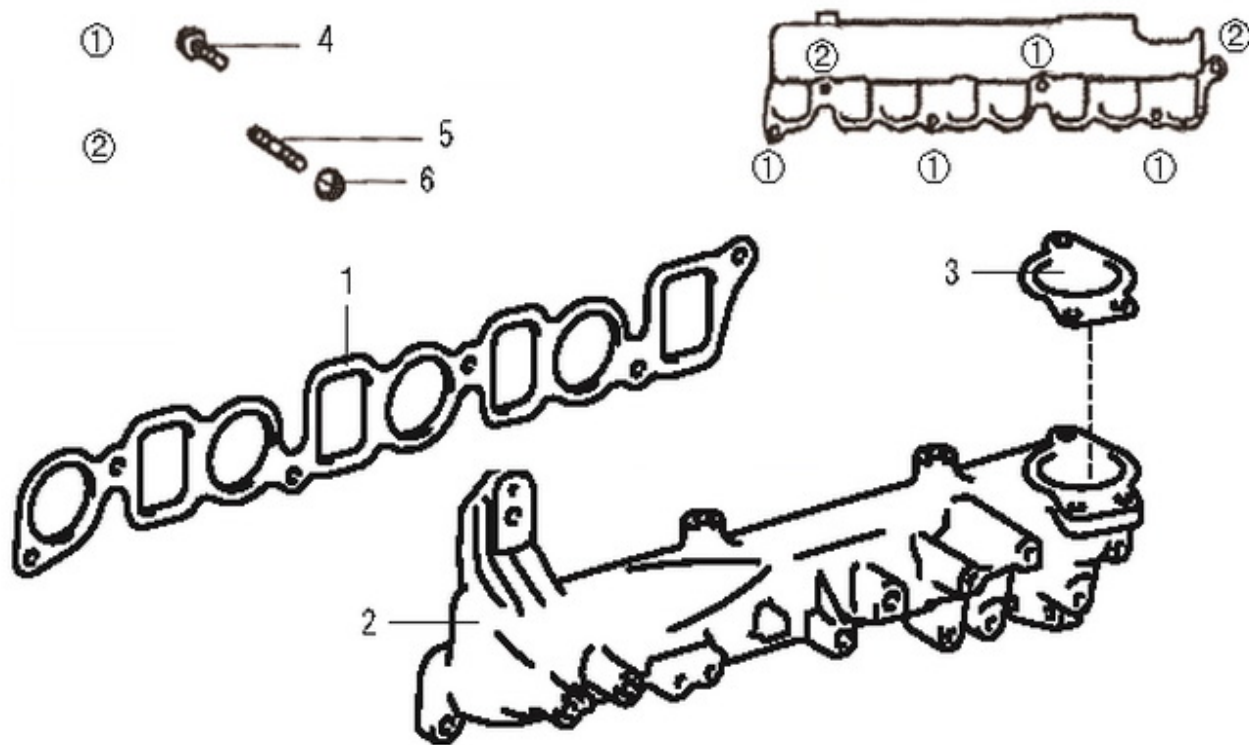
N.	Item	Description	Qty	Notes
1	970312420	BODY	1	
2	970312421	SHAFT	1	
3	970312422	END COVER	1	
4	970312423	IMPELLER	1	
5	970312424	O RING	1	
6	970614516	O-RING SEAL	1	
7	970312426	BALL BEARING	2	
8	970614626	O-RING,WATER PUMP F7B-9/10	1	
9	970304049	CIR-CLIP	1	
10	970312429	SCREW	4	
11	970614627	RING,RETAINING	1	
12	970312430	LIP SEAL	1	
13	970312431	SPACER	1	
14	55303041	KEY	1	
15	48418165	O RING	1	
16	970302856	O-RING	1	
17	970312432	REPAIR KIT	1	
18	970311169	WATER PUMP	1	



V. 20/01/2014

Pag. 37/51

Brand: NanniDiesel	N.	Item	Description	Qty	Notes
Model: Moteur T4.270 T4.230	1	970314045	GASKET, INTAKE MANIFOLD TO - HEAD	1	
Version: Standard	2	970316216	MANIFOLD SUB-ASSY, INTAKE	1	
Subassembly: Intake manifold	3	970316217	GASKET, DIESEL THROTTLE	1	
	4	970314139	BOLT, FLANGE	4	
	5	970312024	STUD	2	
	6	970316218	NUT, FLANGE	2	



V. 20/01/2014

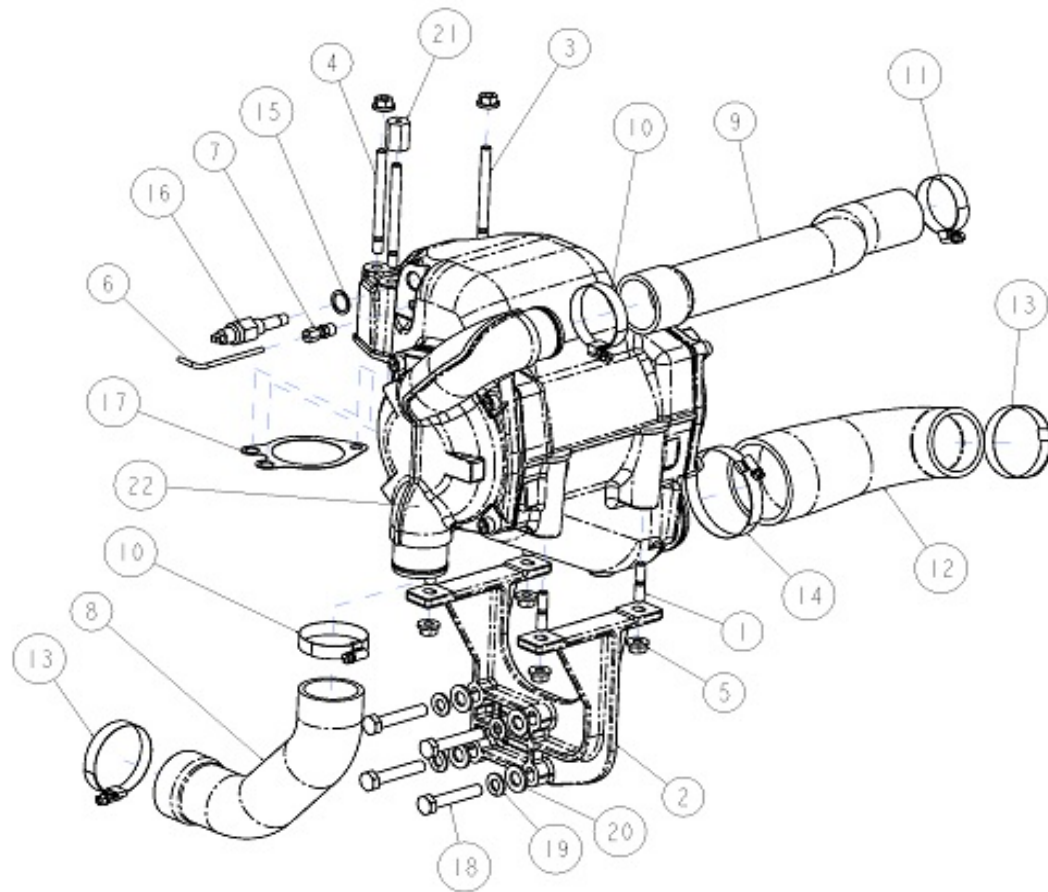
Pag. 38/51

Brand: NanniDiesel

Model: Moteur T4.270 T4.230

Version: Standard

Subassembly: Intercooler



N.	Item	Description	Qty	Notes
1	970300057	STUD,M 8X 20 (+++FIX TURBO)	4	
2	95200290	SUPPORT INTERCOOLER M1KD 240	1	
3	39020337	STUD	1	
4	39020329	STUD BOLT	2	
5	39460916	NUT (+++FIX ECHANGEUR)	6	
6	51306122	PIPE	1	
7	970312881	Nipple for pipe OD 4mm	1	
8	48328259	DURITE EAU MER REFR HUILE/INT M1KD 240	1	
9	48328260	DURITE EAU DE MER INT/ECH M1KD 240	1	
10	970634621	CLAMP,HOSE	2	
11	970604533	CLAMP,HOSE 32-44 (QUANTITE 8 R.P. 4 LE 19/06/2008)	1	
12	58850008	null	1	
13	970300071	CLAMP,HOSE 50-65	2	
14	970634620	CLAMP,HOSE 60-80	1	
15	970316219	GASKET	1	
16	970316220	SENSOR, INLET AIR TEMPERATURE	1	
17	970316217	GASKET, DIESEL THROTTLE	1	
18	39160405	BOLT (+++FIX CHASSIS)	4	
19	970119136	WASHER,SPRING D10 (POUR INVERSEUR)	4	
20	970119135	WASHER,PLAIN D10 (DONT DEUX POUR CALAGE GALET	4	
21	43320300	Nut, long, M8-M6	1	
22	48300465	AIR COOLER M1KD-240	1	

V. 20/01/2014

Pag. 39/51

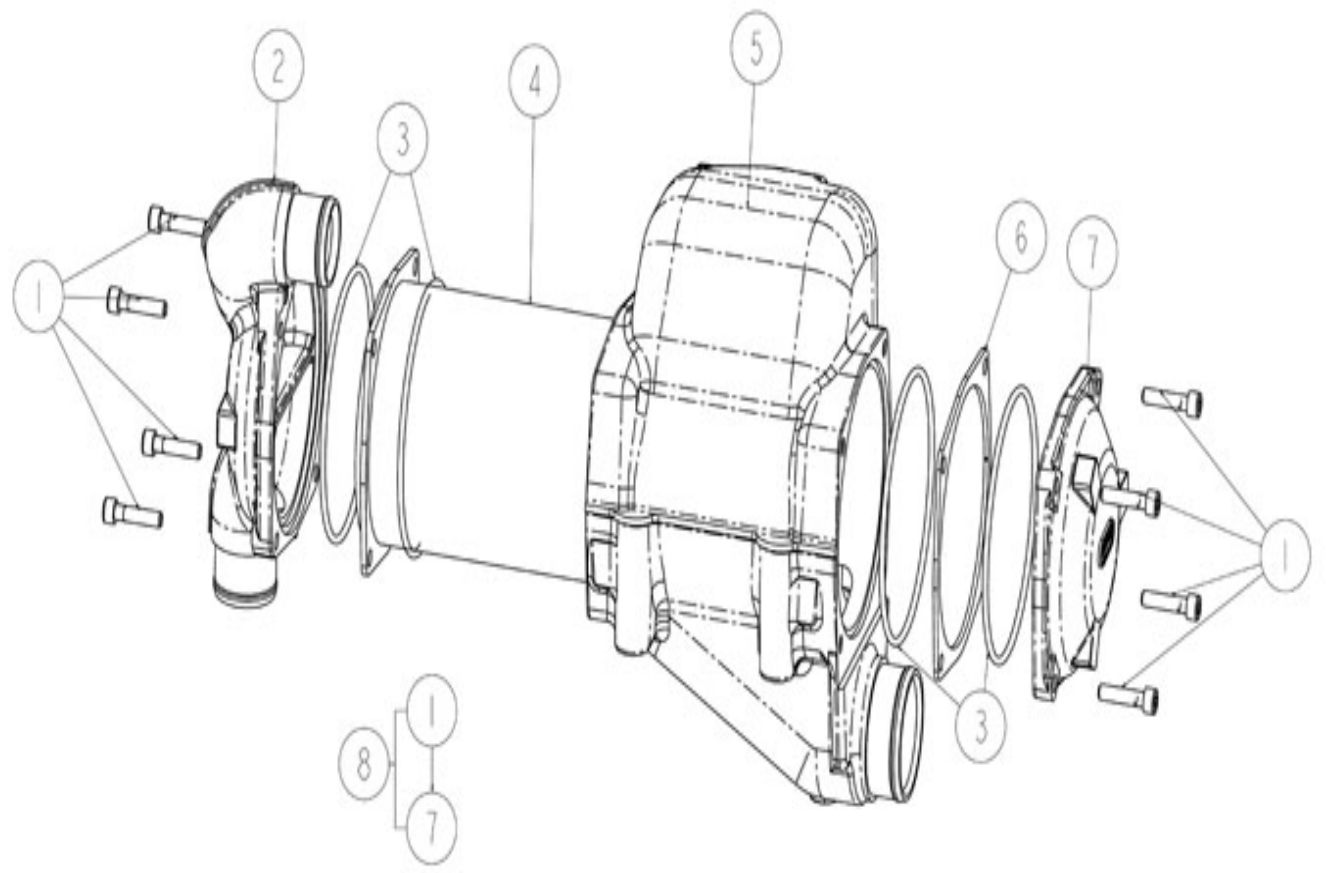
Brand: NanniDiesel

Model: Moteur T4.270 T4.230

Version: Standard

Subassembly: Intercooler spare parts

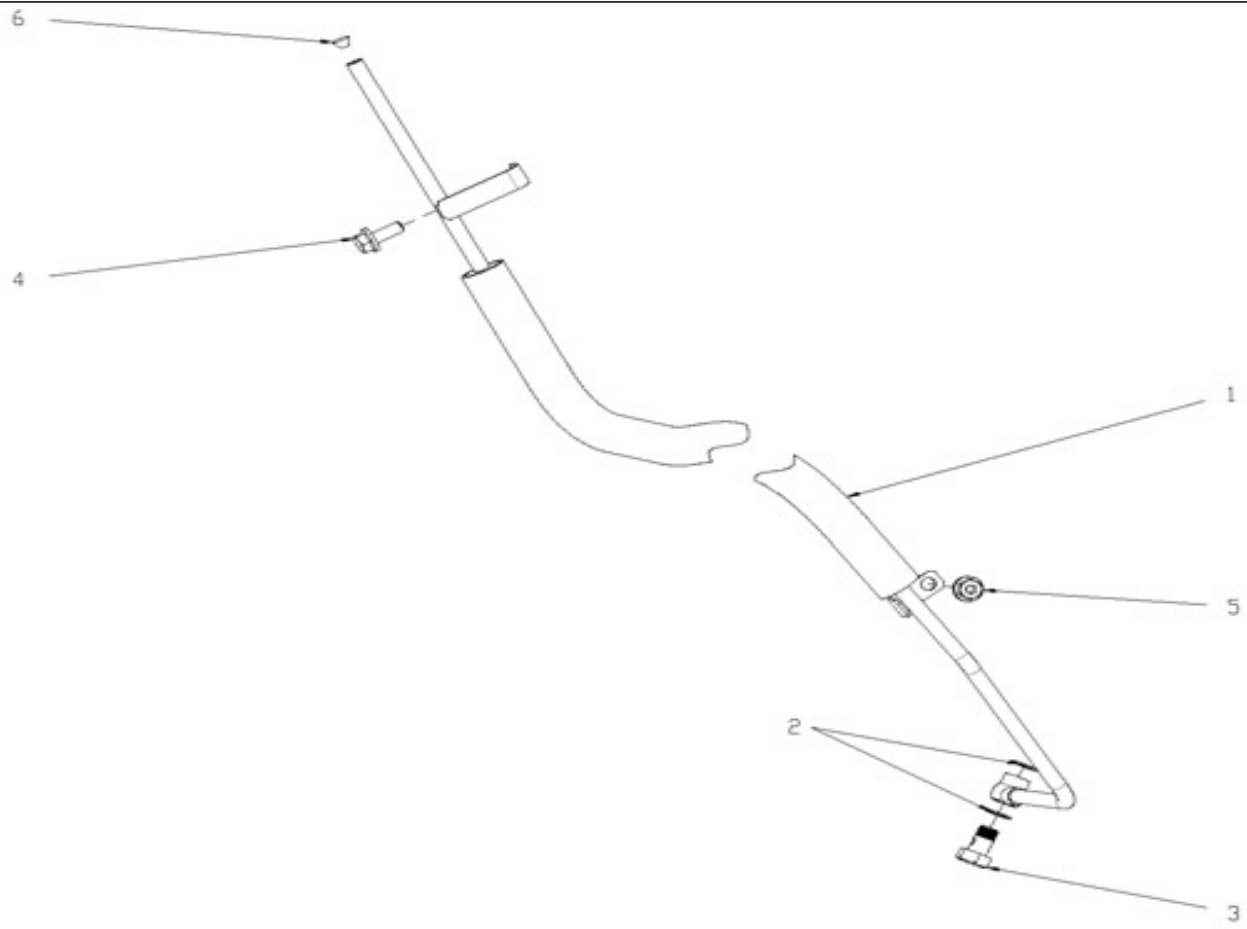
N.	Item	Description	Qty	Notes
1	970635916	BOLT,SOCK M 8X 35 (+++ FIX COUDE ECHAP)	8	
2	970316221	COVER	1	
3	970312781	O RING	4	
4	970316222	TUBE STACK	1	
5	970316223	HOUSING,HEATEXCHANGER	1	
6	970312800	SPACER	1	
7	970316224	COVER	1	
8	48300465	AIR COOLER M1KD-240	1	



V. 20/01/2014

Pag. 40/51

Brand: NanniDiesel		N.	Item	Description	Qty	Notes
Model: Moteur T4.270 T4.230		1	51310005	Oil Drain Hose	1	
Version: Standard		2	48410053	Replaced by 970300325 - GASKET	2	
Subassembly: Oil Drain		3	970312248	BOLT, UNION	1	
		4	39160662	BOLT	1	
		5	39460916	NUT (+++FIX ECHANGEUR)	1	
		6	970310154	WIRING	1	



V. 20/01/2014

Pag. 41/51

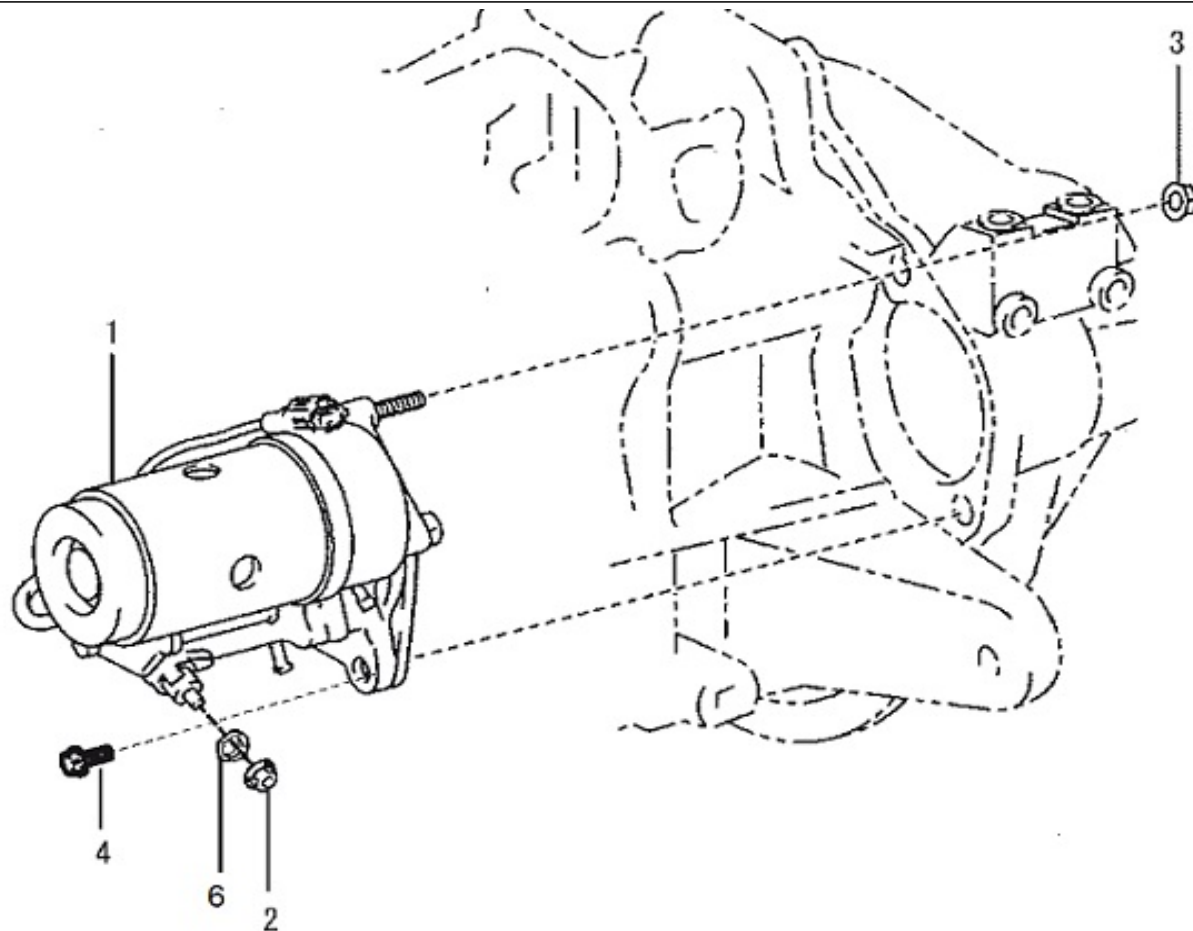
Brand: NanniDiesel

Model: Moteur T4.270 T4.230

Version: Standard

Subassembly: Starter motor

N.	Item	Description	Qty	Notes
1	970312328	STARTER ASSY	1	
2	39460924	NUT	1	
3	39360918	NUT	1	
4	970316226	BOLT, WASHER BASED	1	
6	970119139	WASHER,CORRUGATED D8 (DONT 3 PTO)	1	



V. 20/01/2014

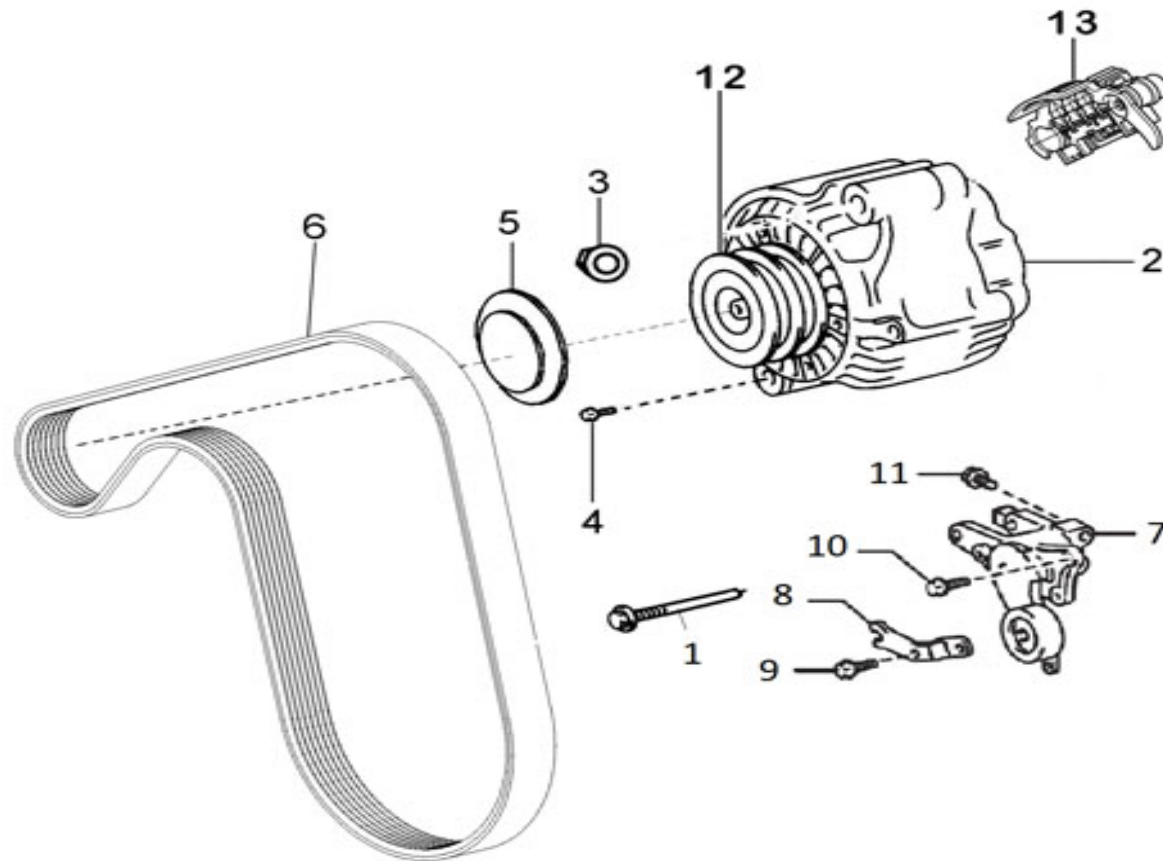
Pag. 42/51

Brand: NanniDiesel

Model: Moteur T4.270 T4.230

Version: Standard

Subassembly: Alternator Assy. Std.



N.	Item	Description	Qty	Notes
1	970312336	BOLT	1	
2	970316227	ALTERNATOR ASSY,W/REGULATOR	1	
3	970314150	** Std Part [NUT, FLANGE]	1	
4	970314142	BOLT,FLANGE	1	
5	970314074	CAP, ALTERNATOR PULLEY	1	
6	970313801	BELT, ALTERNATOR	1	
7	970314038	TENSIONER ASSY,V-RIBBED BELT	1	
8	970313960	BRACKET,ALTERNATOR	1	
9	970314142	BOLT,FLANGE	2	
10	970314140	BOLT,FLANGE	2	
11	970314139	BOLT, FLANGE	2	
12	970316231	PULLEY, ALTERNATOR W/CLUTCH	1	
13	970316232	REGULATOR ASSY, GENERATOR	1	

V. 20/01/2014

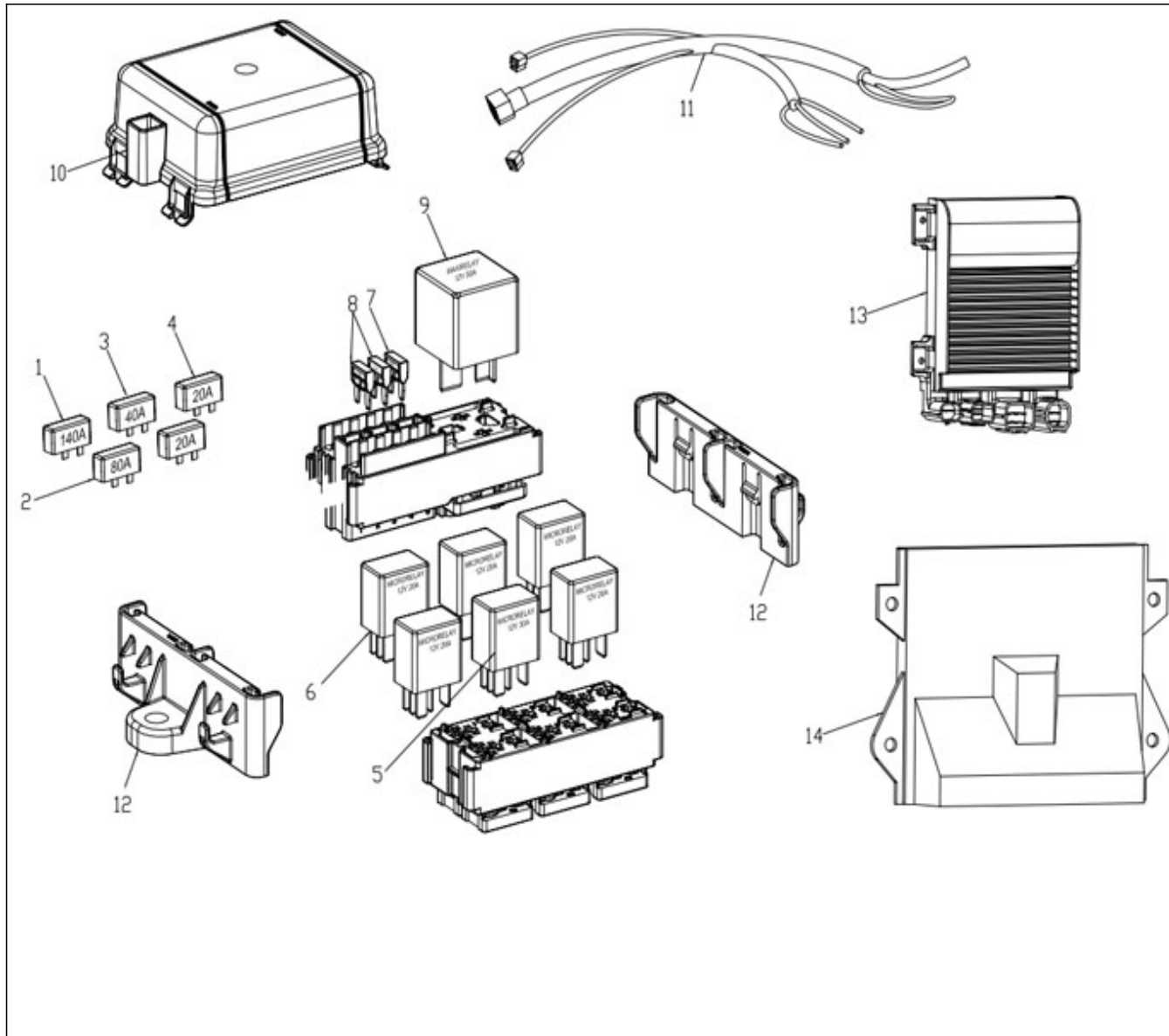
Pag. 43/51

Brand: NanniDiesel

Model: Moteur T4.270 T4.230

Version: Standard

Subassembly: Electrics



N.	Item	Description	Qty	Notes
1	970315619	FUSIBLE 140A TYPE B1	1	
2	970315620	FUSIBLE 80A TYPE B1	1	
3	970315621	FUSIBLE 40A TYPE B1	1	
4	970315622	FUSIBLE 20A TYPE A1	2	
5	970316234	MICRORELAY 12V 30A	1	
6	970316235	MICRORELAY 12V 20A	5	
7	970316236	MINIVAL FUSE 10A	2	
8	970316237	MINIVAL FUSE 7.5A	1	
9	970316238	MAXIRELAY 12V 50A	1	
10	970316239	COVER	1	
11	674572	CABLAGE MOTEUR M1KD 270	1	
12	970316240	SUPPORT	2	
13	970316200	DRIVER, INJECTOR	1	
14	970316201	HARDWARE, ENG CONTROL COMPUTER	1	

V. 20/01/2014

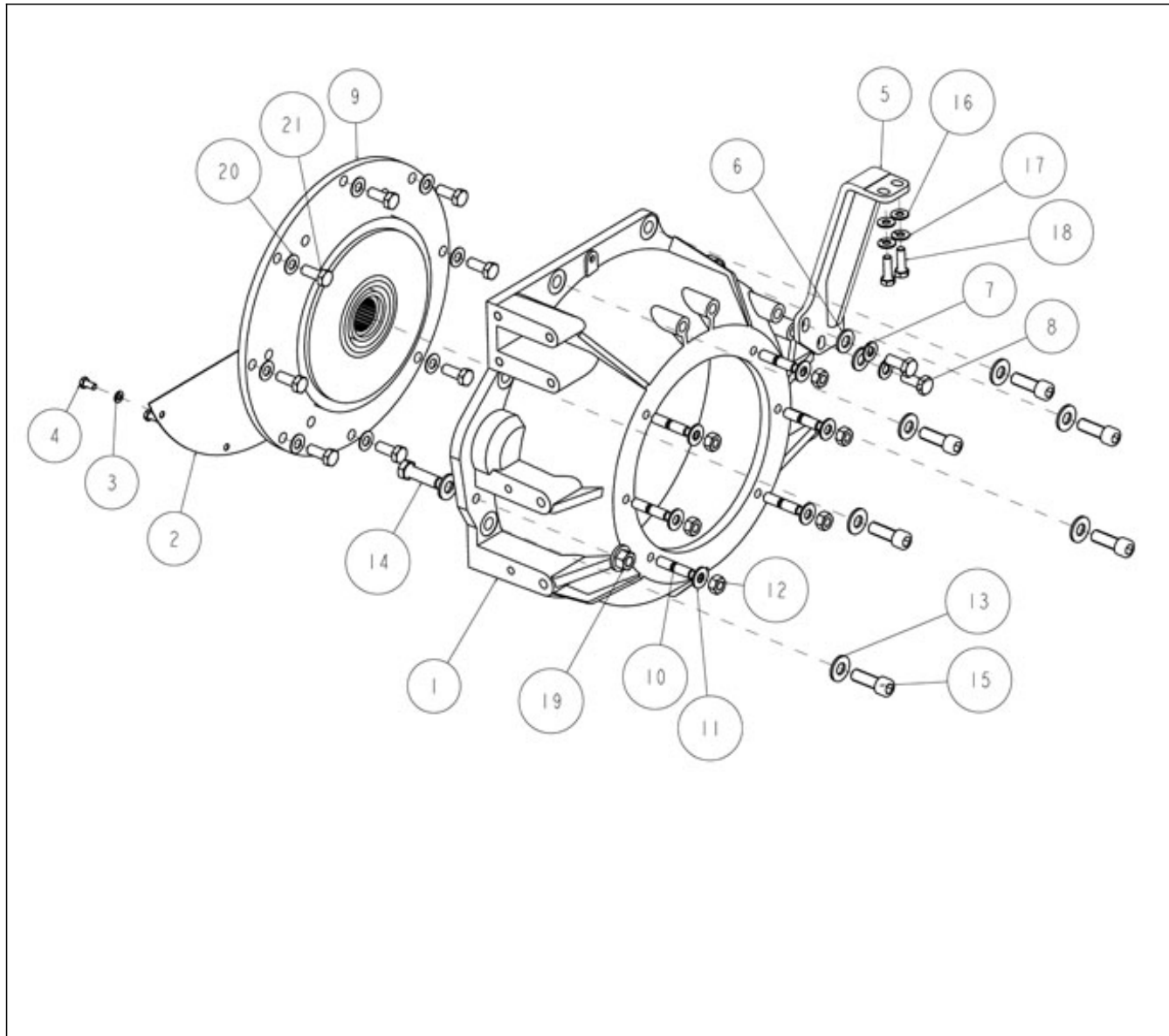
Pag. 44/51

Brand: NanniDiesel

Model: Moteur T4.270 T4.230

Version: Standard

Subassembly: Flywheel housing



N.	Item	Description	Qty	Notes
1	95200229	HOUSING	1	
2	95203062	GUARD PLATE	1	
3	970119149	WASHER, SPRING D 6 (Pour protection injecteur)	4	
4	41160208	BOLT	4	
5	95311057	SUPPORT TURBO M1KD 240	1	
6	970119135	WASHER,PLAIN D10 (DONT DEUX POUR CALAGE GALET	2	
7	970119136	WASHER,SPRING D10 (POUR INVERSEUR)	2	
8	970635508	BOLT,HEX M10X 25 (VIS DE BOUT D ARBRE)	2	
9	48101011	ACCOUPLMENT MIKD T4.260 ---- voir libellé-----	1	
10	970649725	STUD (=> N°T10306523)	6	
11	970119137	WASHER,CORRUGATED D10	6	
12	970119143	NUT, M10	6	
13	970647606	WASHER,CORRUGATED D12 (POUR POULIE DP 240	6	
14	39160549	BOLT	1	
15	39129510	BOLT	5	
16	970027323	WASHER,PLAIN D 8	2	
17	970119138	WASHER,SPRING D 8 (TENDEUR)	2	
18	970409603	BOLT,HEX M 8X 25 (FIX SUP ALT)	2	
19	970314099	NUT	1	
20	970119136	WASHER,SPRING D10 (POUR INVERSEUR)	6	
21	970635508	BOLT,HEX M10X 25 (VIS DE BOUT D ARBRE)	6	

V. 20/01/2014

Pag. 45/51

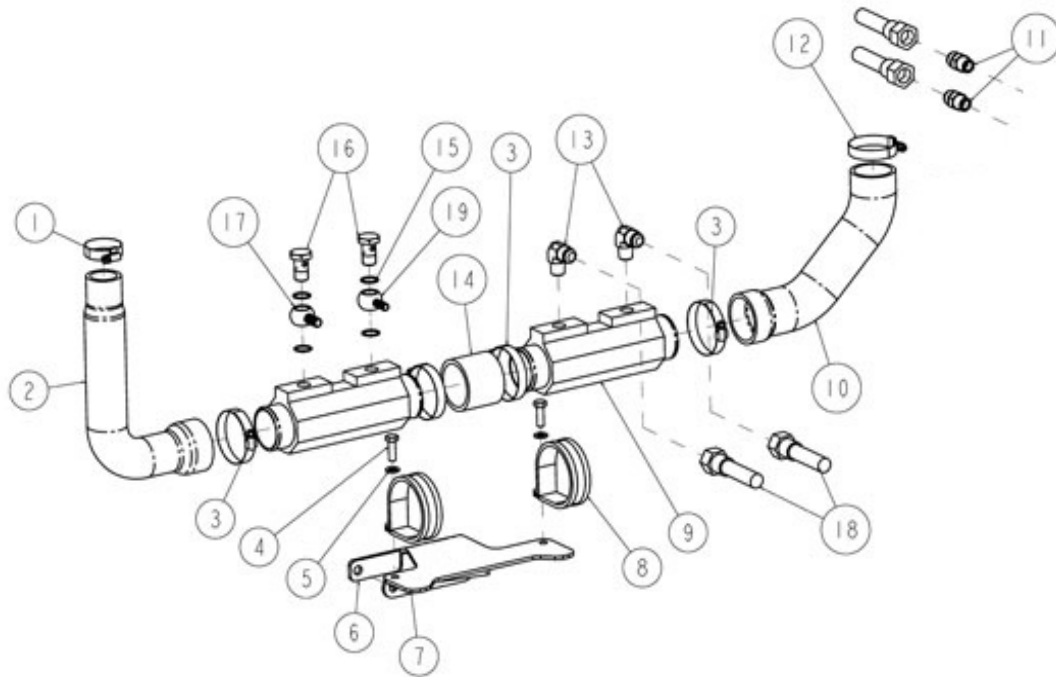
Brand: NanniDiesel

Model: Moteur T4.270 T4.230

Version: Standard

Subassembly: oil cooler gear box

N.	Item	Description	Qty	Notes
1	970604533	CLAMP,HOSE 32-44 (QUANTITE 8 R.P. 4 LE 19/06/2008)	2	
2	48328126	Sea Water Hose 2 (++RECOUPE SUIVANT PLAN)	1	
3	970300071	CLAMP,HOSE 50-65	4	
4	39160662	BOLT	2	
5	970119138	WASHER,SPRING D 8 (TENDEUR)	2	
6	95303446	ENTRETOISE SUPPORT REF HUILE M1KD240	1	
7	95310708	BRACKET	1	
8	48100909	CLAMP	2	
9	48300399	Fuel cooler / Oil cooler	2	
10	48328259	DURITE EAU MER REFR HUILE/INT M1KD 240	1	
11	48300084	ELBOW	2	
12	970634621	CLAMP,HOSE	1	
13	48300339	COUDE 90D JIC 3/4-3/8 BSP (++Mettre en bourriche)	2	
14	51852001	Sea Water Hose 5	1	
15	970300306	GASKET,RING D14 (SUR REFROID THERMO MOTA)	4	
16	970432515	BOLT,BANJO M14X1,5 (=> N°KT08090423)	2	
17	970300797	CONNECTION,BANJO D=8/M14 (=> N°KT08090423)	1	
18	48300395	HOSE	2	
19	970301093	CONNECTION,BANJO D=6/M14	1	



V. 20/01/2014

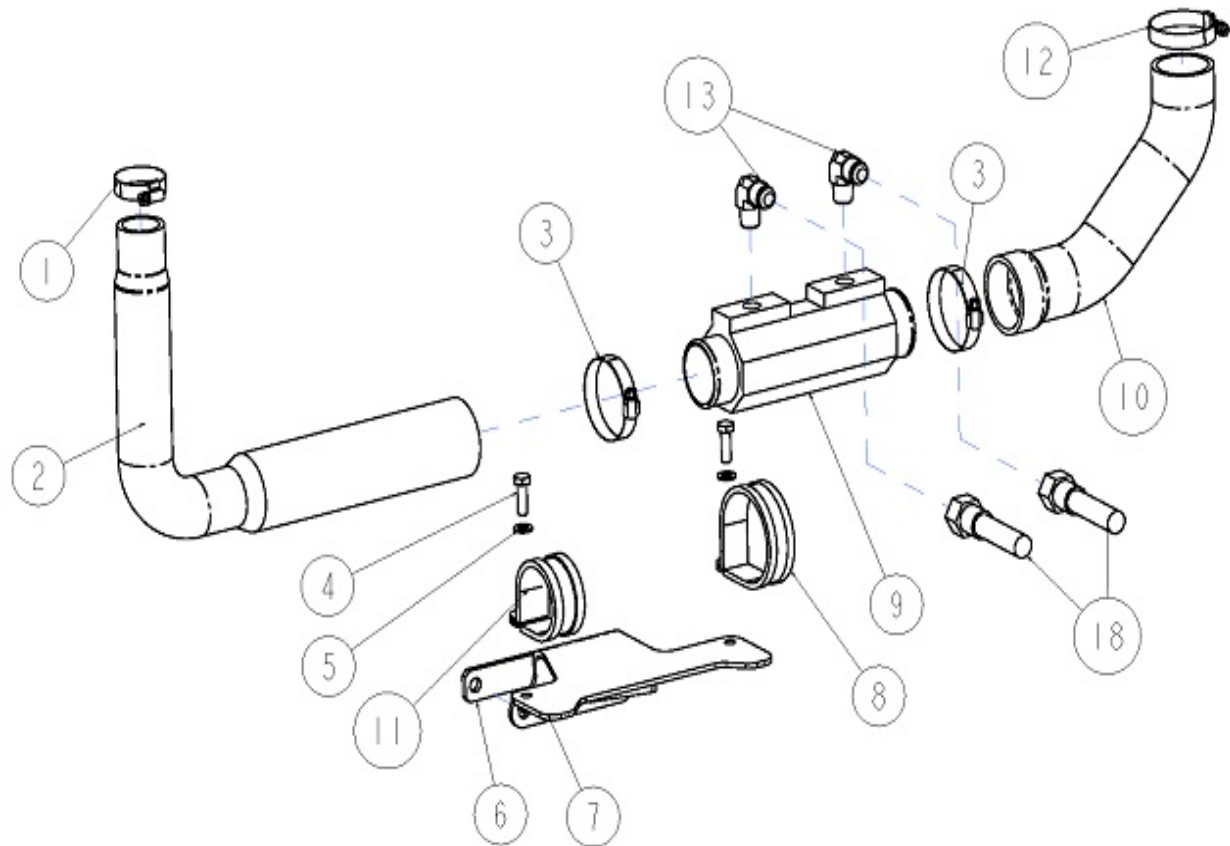
Pag. 46/51

Brand: NanniDiesel

Model: Moteur T4.270 T4.230

Version: Standard

Subassembly: oil cooler PONAM



N.	Item	Description	Qty	Notes
1	970604533	CLAMP,HOSE 32-44 (QUANTITE 8 R.P. 4 LE 19/06/2008)	2	
2	48328126	Sea Water Hose 2 (++RECOUPE SUIVANT PLAN)	1	
3	970300071	CLAMP,HOSE 50-65	4	
4	39160662	BOLT	2	
5	970119138	WASHER,SPRING D 8 (TENDEUR)	2	
6	95303446	ENTRETOISE SUPPORT REF HUILE M1KD240	1	
7	95310708	BRACKET	1	
8	48100909	CLAMP	2	
9	48300399	Fuel cooler / Oil cooler	2	
10	48328259	DURITE EAU MER REFR HUILE/INT M1KD 240	1	
11	48300084	ELBOW	2	
12	970634621	CLAMP,HOSE	1	
13	48300339	COUDE 90D JIC 3/4-3/8 BSP (++Mettre en bourriche)	2	
14	51852001	Sea Water Hose 5	1	
15	970300306	GASKET,RING D14 (SUR REFROID THERMO MOTA)	4	
16	970432515	BOLT,BANJO M14X1,5 (=> N°KT08090423)	2	
17	970300797	CONNECTION,BANJO D=8/M14 (=> N°KT08090423)	1	
18	48300395	HOSE	2	
19	970301093	CONNECTION,BANJO D=6/M14	1	

V. 20/01/2014

Pag. 47/51

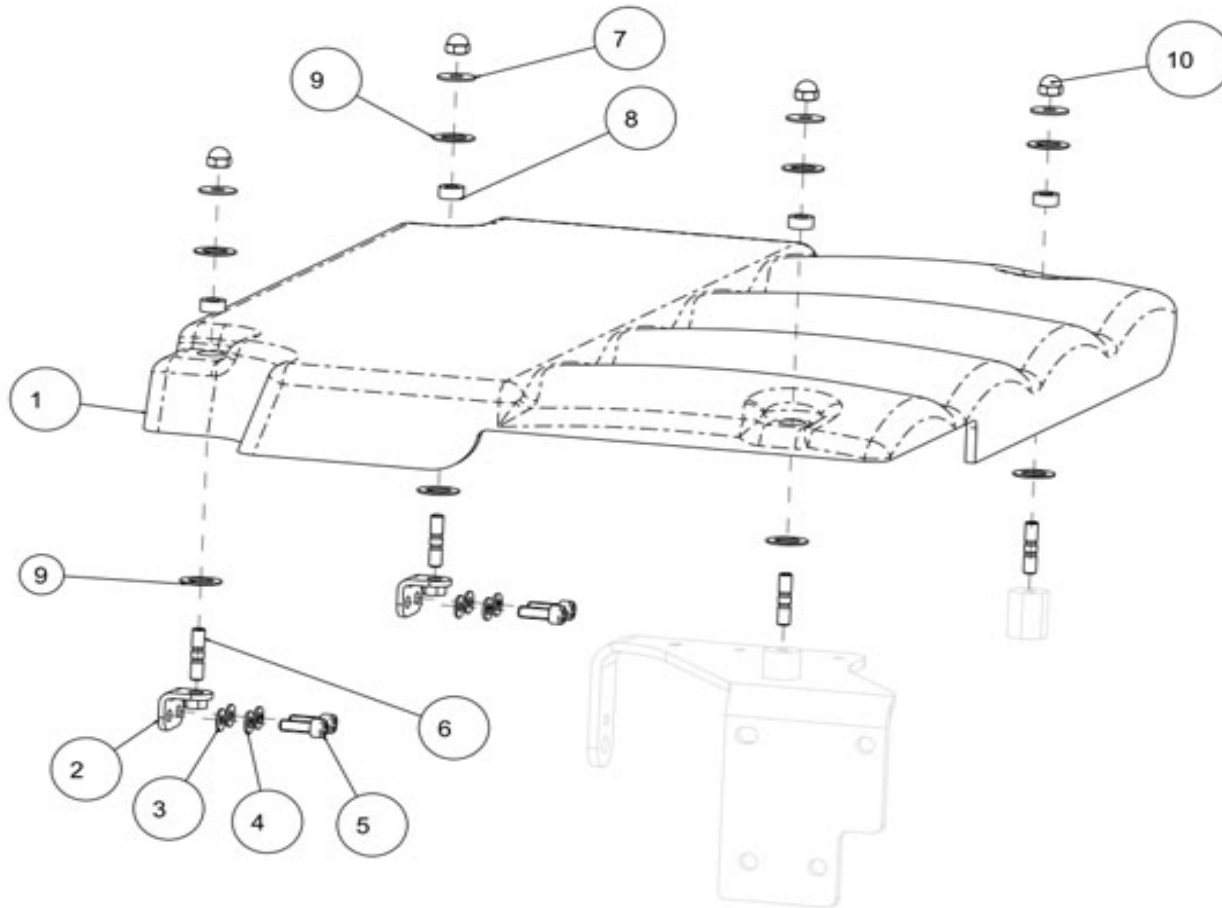
Brand: NanniDiesel

Model: Moteur T4.270 T4.230

Version: Standard

Subassembly: Protection

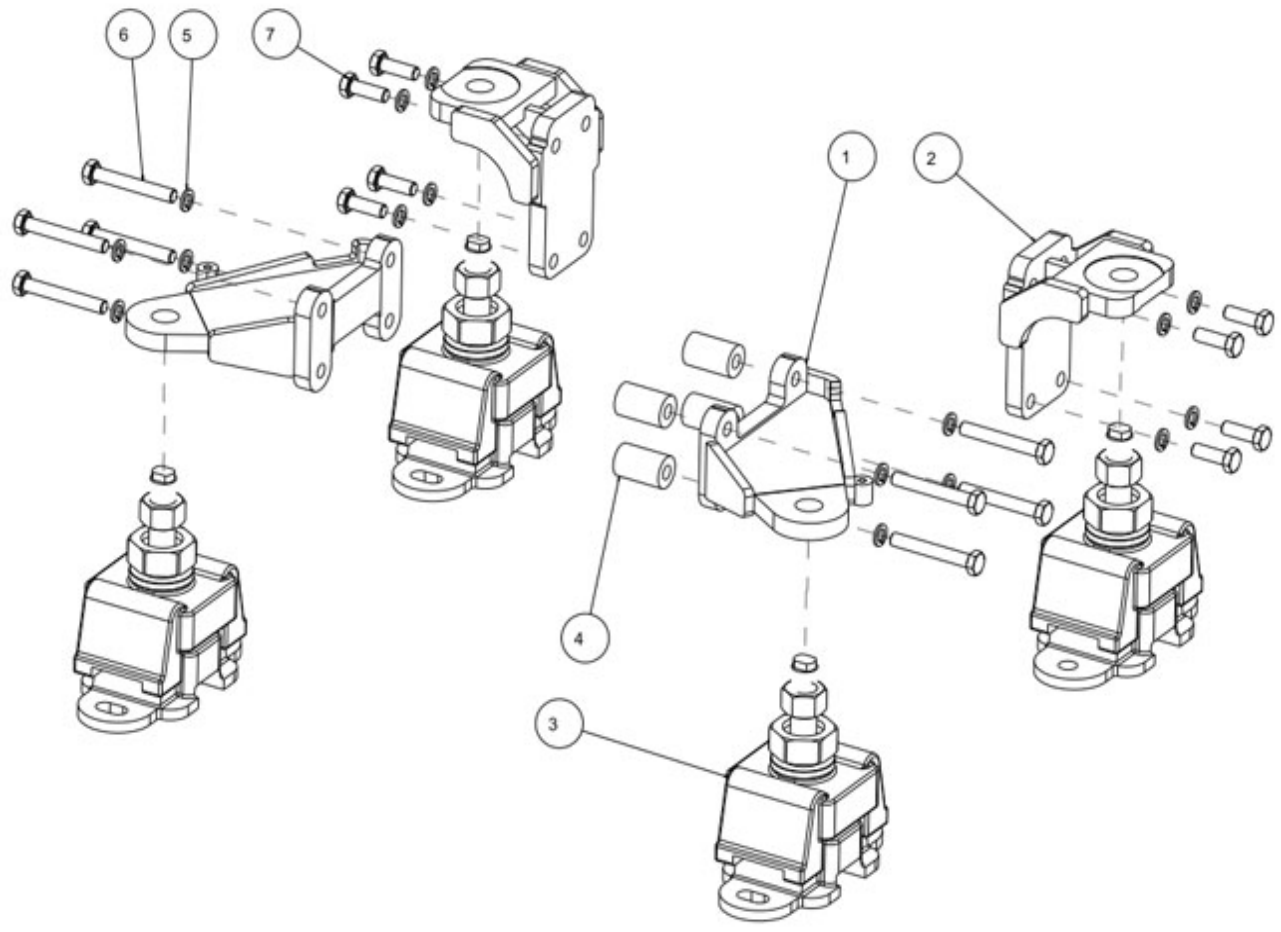
N.	Item	Description	Qty	Notes
1	95800026	CARTER DE PROTECTION M1KD 240	1	
2	95310701	BRACKET	2	
3	970635459	WASHER,PLAIN D 6 (CALAGE)	4	
4	970119149	WASHER, SPRING D 6 (Pour protection injecteur)	4	
5	970164026	BOLT,SOCK M 6X 16	4	
6	970634573	STUD,M 6X 16	4	
7	925103852	WASHER	4	
8	43320303	SPACER (Ajout le 24/04/2008)	4	
9	970301113	GASKET	8	
10	970316074	ECROU M6 BORGNE INOX A4	4	



V. 20/01/2014

Pag. 48/51

Brand: NanniDiesel	N.	Item	Description	Qty	Notes
Model: Moteur T4.270 T4.230	1	95311113	PIED MOTEUR AV T4.270 -----voir libellé----	2	
Version: Standard	2	95311114	PIED MOTEUR AR T4.270 -----voir libellé----	2	
Subassembly: Engine mount	3	43320333	ENTRETOISE D25X11 H40 MM M1KD 260	4	
	4	48190006	Engine mount	4	
	5	970119136	WASHER, SPRING D10 (POUR INVERSEUR)	16	
	6	970307695	BOLT (+++ FIX . SUPPORT)	8	
	7	970649721	BOLT, HEX M10X 30 (++Fixer support refroid sans bloquage)	8	

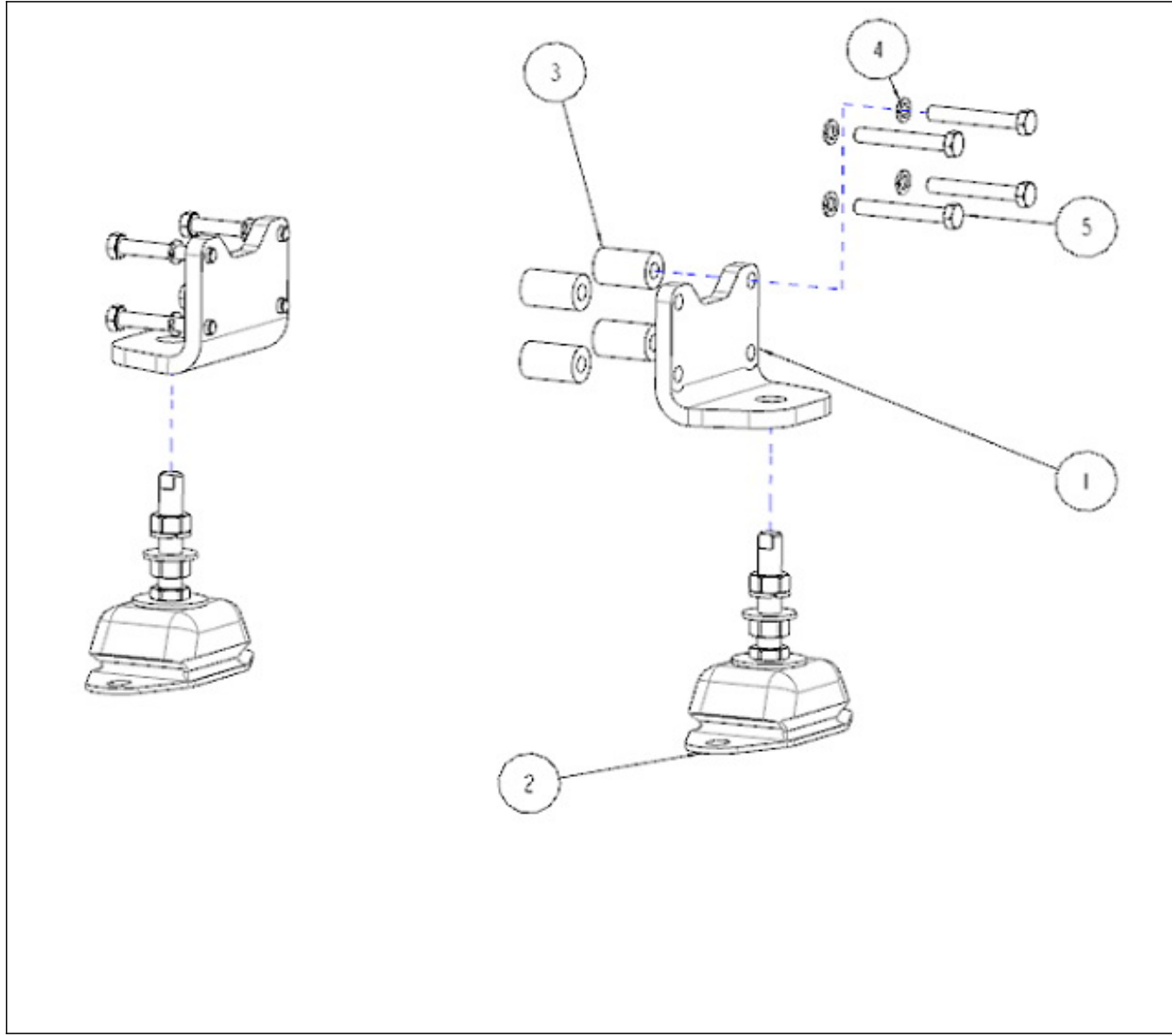


V. 20/01/2014

Pag. 49/51

Brand: NanniDiesel
Model: Moteur T4.270 T4.230
Version: Standard
Subassembly: Engine mount PONAM

N.	Item	Description	Qty	Notes
1	95311125	BRACKET	2	
2	48190025	PLOT MEDIUM 55SH M16 (+++Plot GMT à partir du N°	2	
3	43320333	ENTRETOISE D25X11 H40 MM M1KD 260	4	
4	970119136	WASHER, SPRING D10 (POUR INVERSEUR)	8	
5	970307695	BOLT (+++ FIX . SUPPORT)	8	

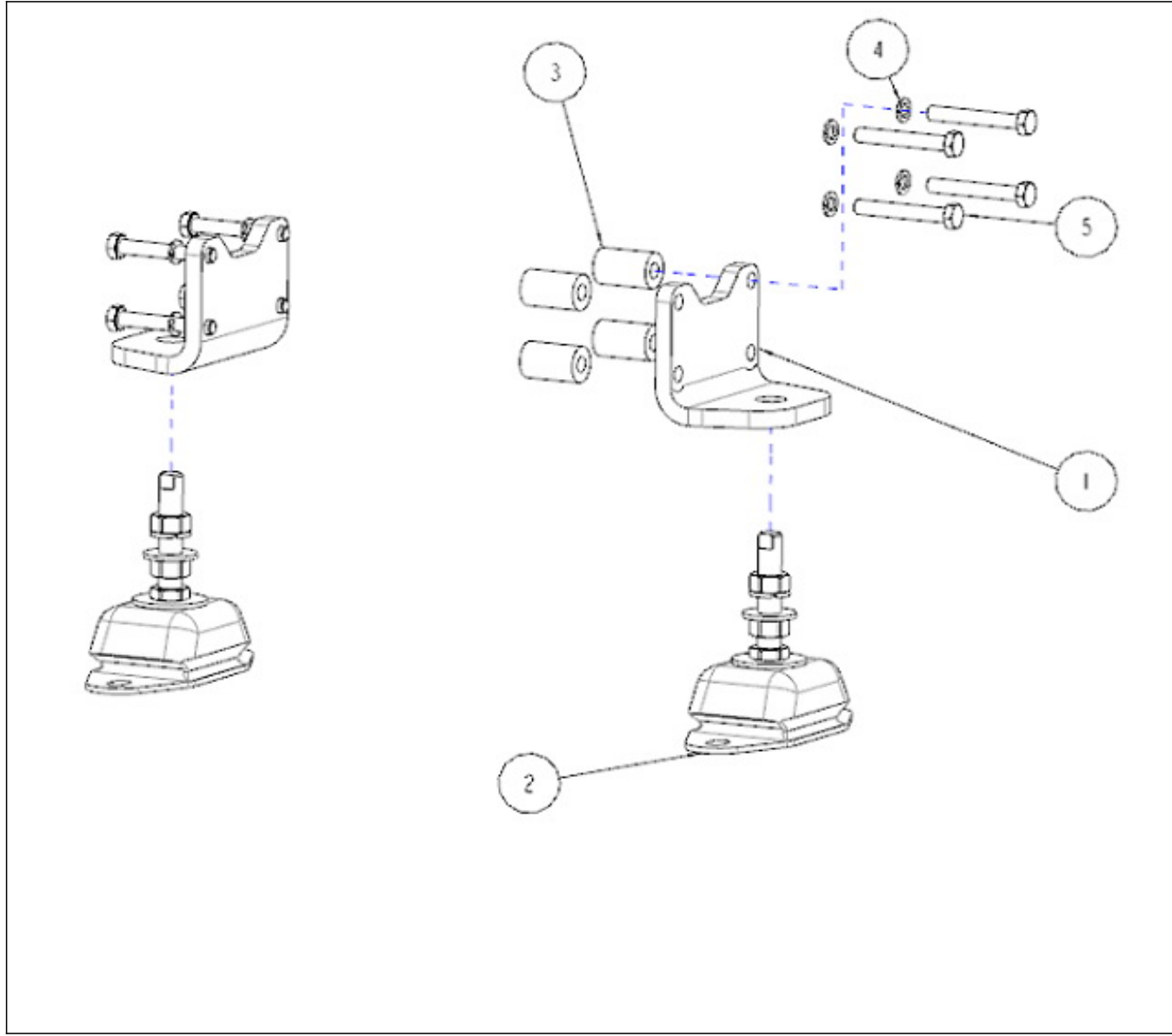


V. 20/01/2014

Pag. 50/51

Brand: NanniDiesel
Model: Moteur T4.270 T4.230
Version: Standard
Subassembly: Engine mount SARD

N.	Item	Description	Qty	Notes
1	95311129	null	1	
2	95311128	null	1	
3	95311126	BRACKET	1	
4	95311126	BRACKET	1	
5	48190006	Engine mount	4	
6	970119136	WASHER, SPRING D10 (POUR INVERSEUR)	16	
7	970307695	BOLT (+++ FIX . SUPPORT)	8	
8	970649621	null	8	



V. 20/01/2014

Pag. 51/51