

# SPARE PARTS CATALOGUE

Brand: NANNI DIESEL

Model: Moteur T6.420TDI T6.300

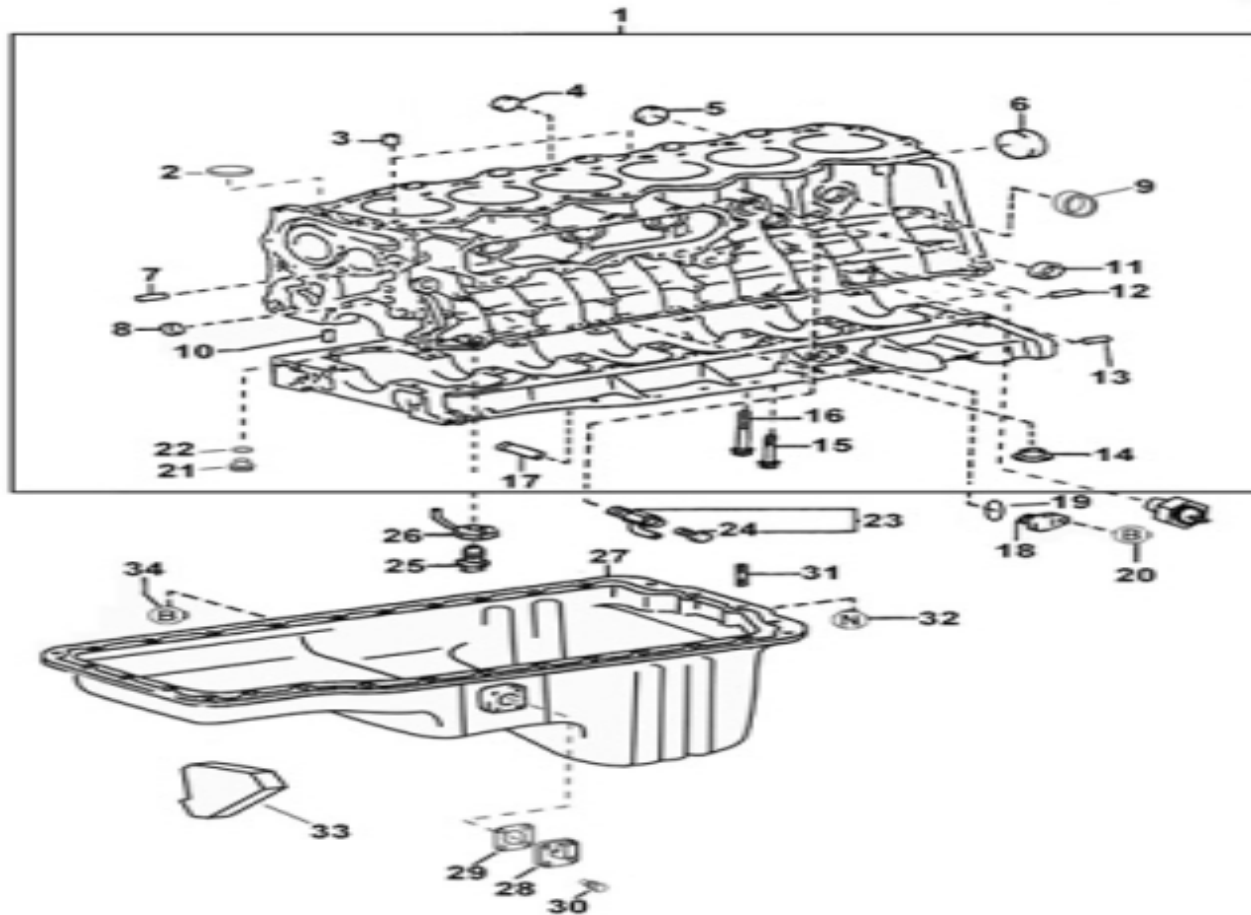
Version: 6.300

Brand: NanniDiesel

Model: Moteur T6.420TDI T6.300

Version: 6.300

Subassembly: Crank case / Cylinders



| N. | Item      | Description  | Qty | Notes |
|----|-----------|--|-----|-------|
| 1  | 970312542 | BLOCK SUB-ASSY,CYLINDER                            | 1   |       |
| 2  | 970312543 | PLUG,TIGHT   | 1   |       |
| 3  | 970312544 | PIN,STRAIGHT (For cylinder hea - d set L=15: OD=8) | 2   |       |
| 4  | 970312536 | PLUG, TIGHT, NO.3(for Cylinder - Block)            | 1   |       |
| 5  | 970312546 | PLUG,TIGHT,No.1 (For cylinder - block)             | 3   |       |
| 6  | 970312547 | PLUG,TIGHT,No.5 (For cylinder - block)             | 2   |       |
| 7  | 970312097 | PIN, STRAIGHT                                      | 2   |       |
| 8  | 970312548 | PLUG,TIGHT,No.2 (For cylinder - block)             | 4   |       |
| 9  | 970312549 | PLUG,TIGHT,No.4 (For cylinder - block)             | 1   |       |
| 10 | 970312550 | PIN,STRAIGHT (For oil pan)                         | 2   |       |
| 11 | 970312549 | PLUG,TIGHT,No.4 (For cylinder - block)             | 5   |       |
| 12 | 970312040 | PIN, STRAIGHT                                      | 2   |       |
| 13 | 970312553 | PIN, STRAIGHT(L=23,OD=8)                           | 2   |       |
| 14 | 970312554 | GASKET,CYLINDER BLOCK OIL HOLE                     | 1   |       |
| 15 | 970312555 | BOLT (For crankshaft bearing c - ap set)L=75       | 15  |       |
| 16 | 970312556 | BOLT (For crankshaft bearing c - ap set)L=86.5     | 14  |       |
| 17 | 970312557 | PIPE,OIL RETURN                                    | 1   |       |
| 18 | 970312051 | PLUG,HOLE  | 1   |       |
| 19 | 970312054 | O RING   | 1   |       |
| 20 | 970312057 | BOLT,FLANGE  | 1   |       |
| 21 | 970312558 | PLUG,W/HEAD STRAIGHT SCREW                         | 1   |       |
| 22 | 970312559 | GASKET,VACUUM PUMP OIL INLET R - ING UNION         | 1   |       |
| 23 | 970312560 | COCK SUB-ASSY,WATER DRAIN (For - cylindr block)    | 1   |       |
| 24 | 970312071 | PLUG   | 1   |       |
| 25 | 970312069 | VALVE SUB ASSY, OIL CHECK                          | 6   |       |
| 26 | 970312562 | NOZZLE SUB-ASSY,OIL                                | 6   |       |
| 27 | 970312563 | PAN SUB-ASSY,OIL                                   | 1   |       |
| 28 | 970312564 | SENSOR,ENGINE OIL LEVEL                            | 1   |       |
| 29 | 970312565 | GASKET   | 1   |       |
| 30 | 970312566 | SCREW,W/WASHER                                     | 4   |       |
| 31 | 970312567 | BOLT,STUD  | 3   |       |
| 32 | 970312568 | NUT  | 3   |       |
| 33 | 970312569 | INSULATOR,CYLINDER BLOCK,No.2                      | 1   |       |
| 34 | 970312570 | BOLT,W/WASHER                                      | 26  |       |

V. 16/04/2013

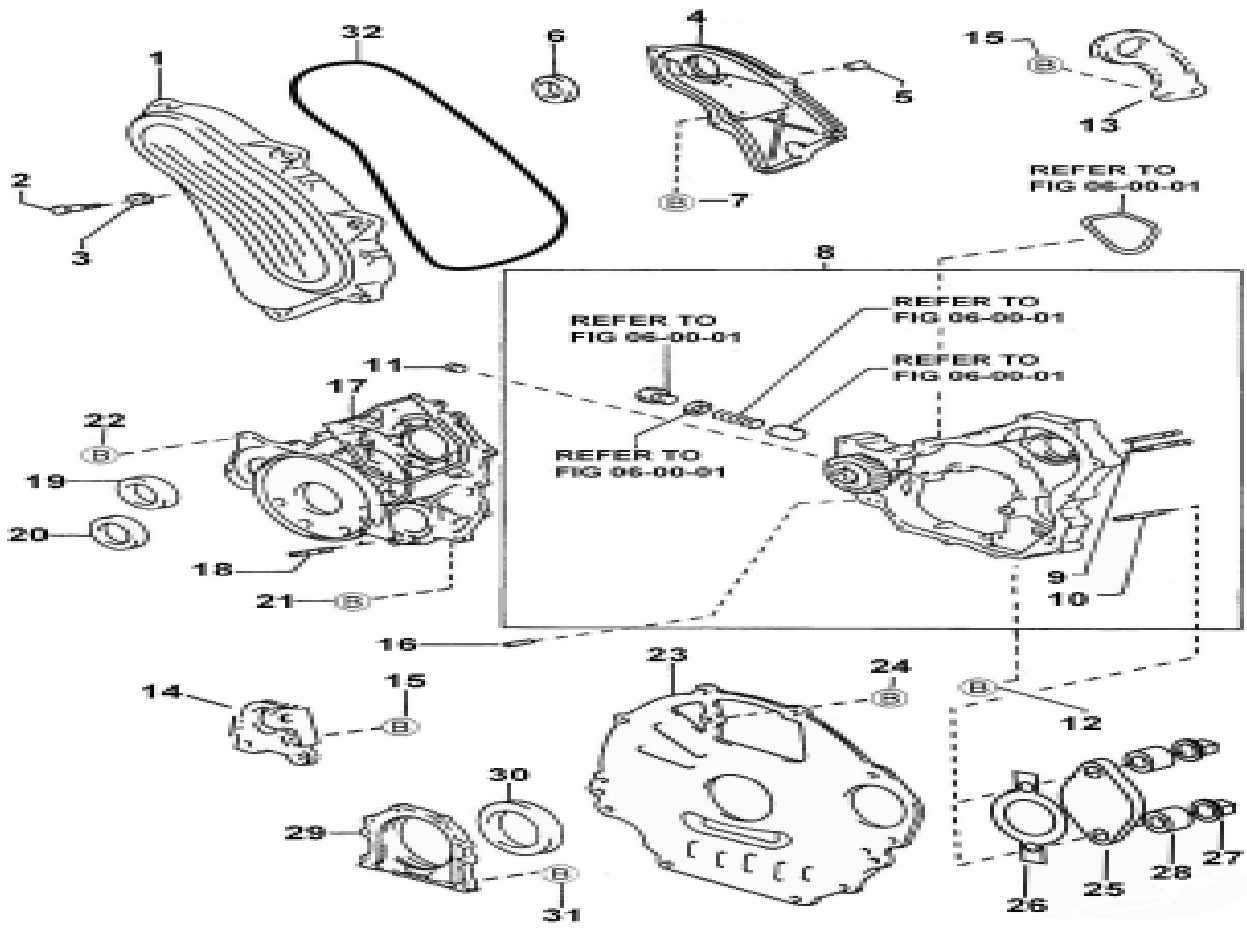
Pag. 2/39

Brand: NanniDiesel

Model: Moteur T6.420TDI T6.300

Version: 6.300

Subassembly: Timing case

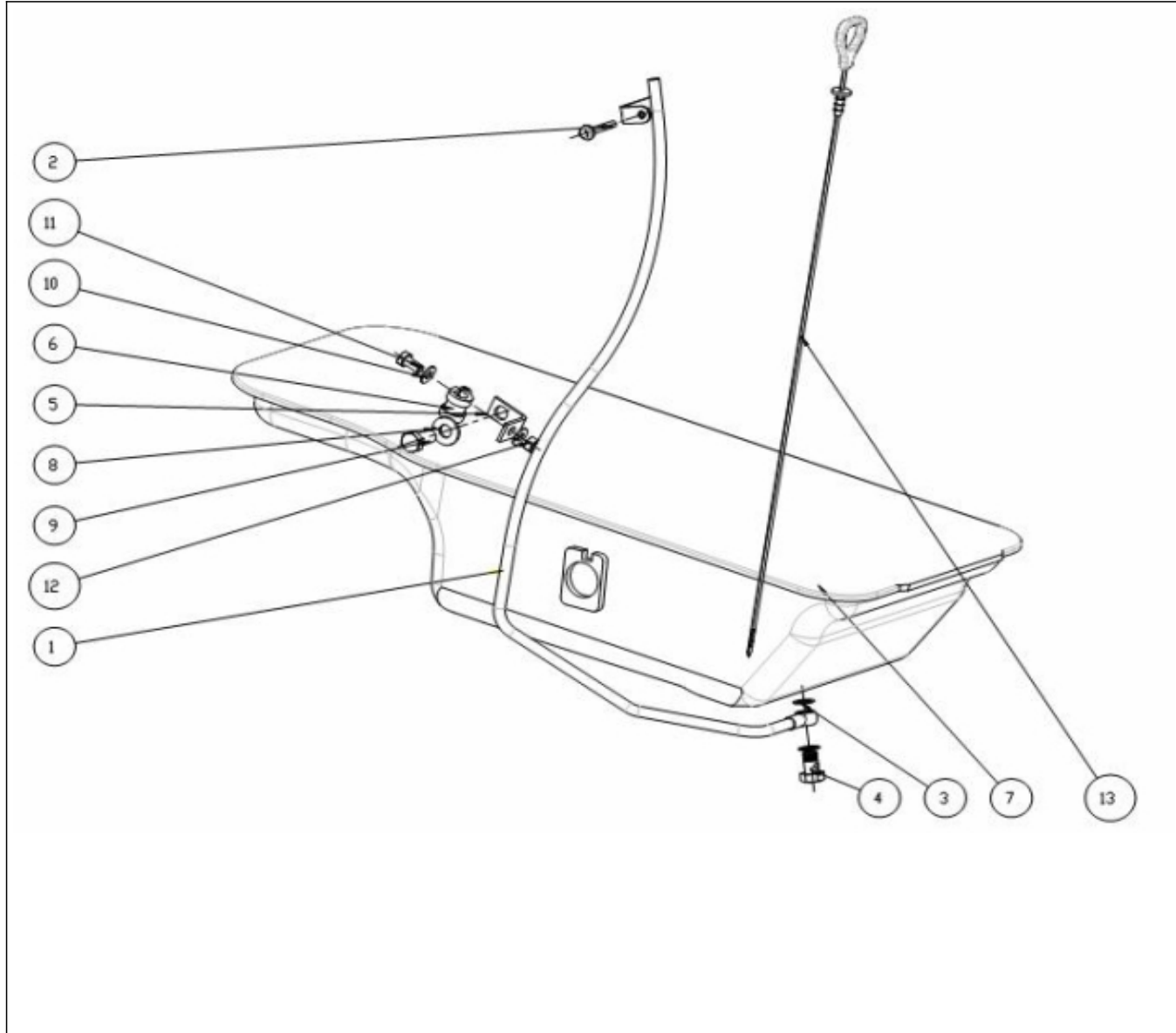


| N. | Item      | Description                                 | Qty | Notes |
|----|-----------|---|-----|-------|
| 1  | 970312571 | COVER,TIMING BELT,No.1                      | 1   |       |
| 2  | 970312572 | BOLT  | 6   |       |
| 3  | 970312573 | WASHER,SEAL                                 | 6   |       |
| 4  | 970312574 | RETAINER,CAMSHAFT OIL SEAL                  | 1   |       |
| 5  | 970312014 | PIN, RING                                   | 2   |       |
| 6  | 970312078 | GASKET                                      | 1   |       |
| 7  | 970312334 | BOLT  | 4   |       |
| 8  | 970312575 | CASE SUB-ASSY,TIMING GEAR                   | 1   |       |
| 9  | 970312576 | BOLT,STUD                                   | 2   |       |
| 10 | 970312577 | BOLT,STUD                                   | 2   |       |
| 11 | 970312578 | PLUG,TAPER SCREW                            | 1   |       |
| 12 | 970312334 | BOLT  | 7   |       |
| 13 | 970312579 | HANGER,ENGINE,No.1                          | 1   |       |
| 14 | 970312580 | HANGER,ENGINE,No.2                          | 1   |       |
| 15 | 970312581 | BOLT,W/WASHER                               | 4   |       |
| 16 | 970312553 | PIN, STRAIGHT(L=23,OD=8)                    | 1   |       |
| 17 | 970312583 | COVER,TIMING GEAR,No.2                      | 1   |       |
| 18 | 970312584 | BOLT,STUD (For timing gear cas - e)         | 2   |       |
| 19 | 970312083 | GASKET                                      | 1   |       |
| 20 | 970312585 | SEAL, OIL (For timing gear cov - er : No.2) | 1   |       |
| 21 | 970312586 | BOLT,FLANGE                                 | 9   |       |
| 22 | 970312337 | BOLT,FLANGE                                 | 6   |       |
| 23 | 970312587 | PLATE,REAR END                              | 1   |       |
| 24 | 970312588 | BOLT,W/WASHER                               | 1   |       |
| 25 | 970312236 | COVER                                       | 1   |       |
| 26 | 970312590 | GASKET,CYLINDER BLOCK SIDE COV - ER         | 1   |       |
| 27 | 970312591 | NUT   | 2   |       |
| 28 | 970312592 | SPACER                                      | 2   |       |
| 29 | 970312593 | RETAINER,ENGINE REAR OIL SEAL               | 1   |       |
| 30 | 970312088 | GASKET                                      | 1   |       |
| 31 | 970312261 | BOLT FLANGE                                 | 6   |       |
| 32 | 970312594 | GASKET,TIMING GEAR COVER                    | 1   |       |

V. 16/04/2013

Pag. 3/39

|                                |    |           |   |     |       |
|--------------------------------|----|-----------|---|-----|-------|
| Brand: NanniDiesel             | N. | Item      | Description                                     | Qty | Notes |
| Model: Moteur T6.420TDI T6.300 | 1  | 51308013  | OIL GAUGE GUIDE                                 | 1   |       |
| Version: 6.300                 | 2  | 39160637  | BOLT  | 1   |       |
| Subassembly: Oil pan           | 3  | 970300325 | RING,SEAL D12                                   | 2   |       |
|                                | 4  | 970302482 | BOLT,BANJO M12X1,25                             | 1   |       |
|                                | 5  | 95310641  | BRACKET (FIX. CABBLAGE )                        | 1   |       |
|                                | 6  | 970301182 | CLAMP,PIPE D12 D=8                              | 1   |       |
|                                | 7  | 970312563 | PAN SUB-ASSY,OIL                                | 1   |       |
|                                | 8  | 970409154 | WASHER,SPRING D12                               | 1   |       |
|                                | 9  | 970302332 | BOLT,HEX M12X1,25X 25                           | 1   |       |
|                                | 10 | 970119138 | WASHER,SPRING D 8 (TENDEUR )                    | 2   |       |
|                                | 11 | 970639903 | BOLT,HEX M 8X 16 (+++FIX SUPPORT ET WASTEGATE ) | 1   |       |
|                                | 12 | 970027322 | NUT,M 8 (+++ECROU FIL DEMARREUR )               | 1   |       |
|                                | 13 | 970312474 | GAGE SUB ASSY, OIL LEVEL                        | 1   |       |

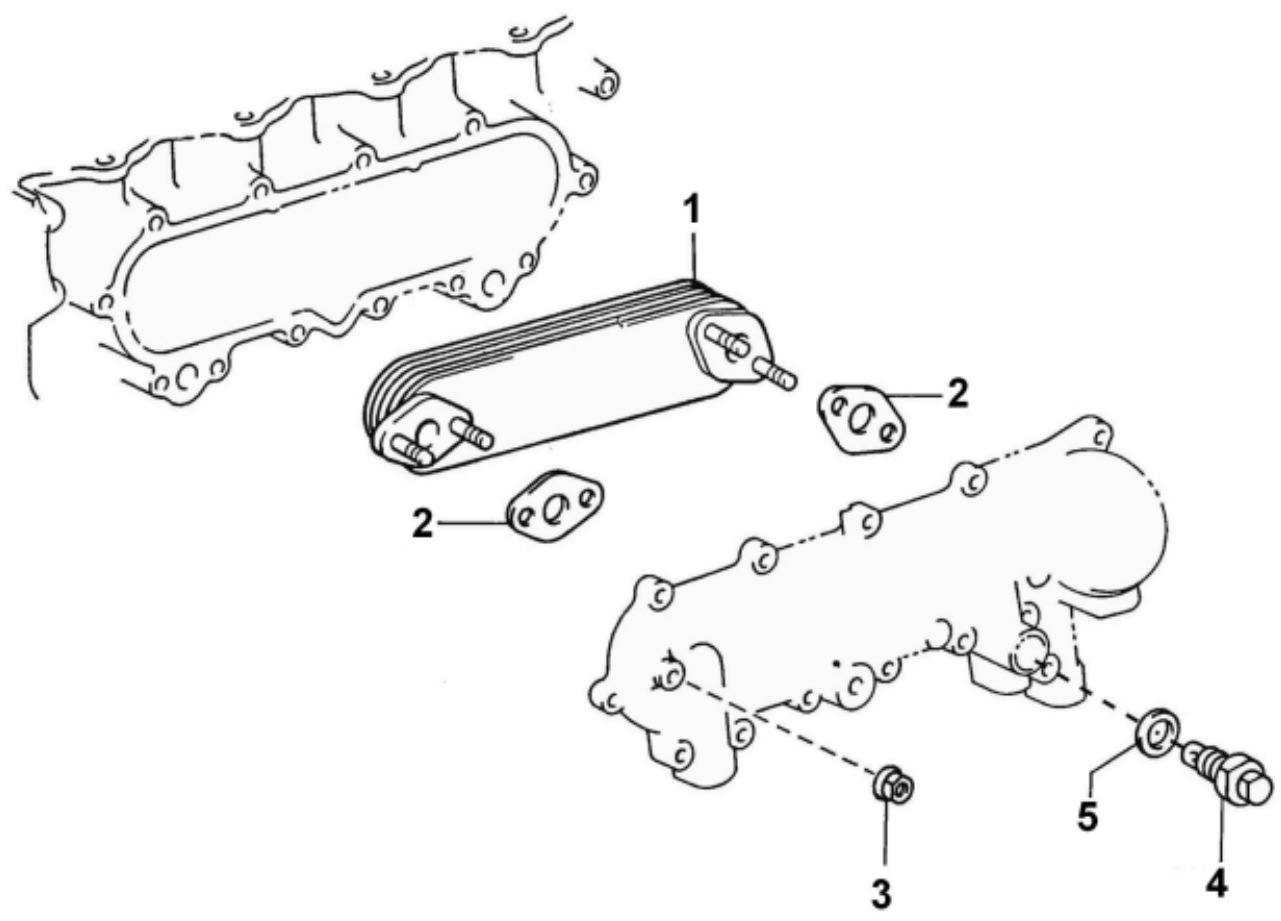


V. 16/04/2013

Pag. 4/39

Brand: NanniDiesel  
 Model: Moteur T6.420TDI T6.300  
 Version: 6.300  
 Subassembly: Oil cooler

| N. | Item      | Description                  | Qty | Notes |
|----|-----------|------------------------------|-----|-------|
| 1  | 970312935 | COOLER ASSY,OIL              | 1   |       |
| 2  | 970312936 | GASKET,OIL COOLER            | 2   |       |
| 3  | 970312672 | NUT                          | 4   |       |
| 4  | 970312213 | VALVE ASSY,OIL COOLER RELIEF | 1   |       |
| 5  | 970312214 | GASKET,OIL COOLER COVER      | 1   |       |



V. 16/04/2013

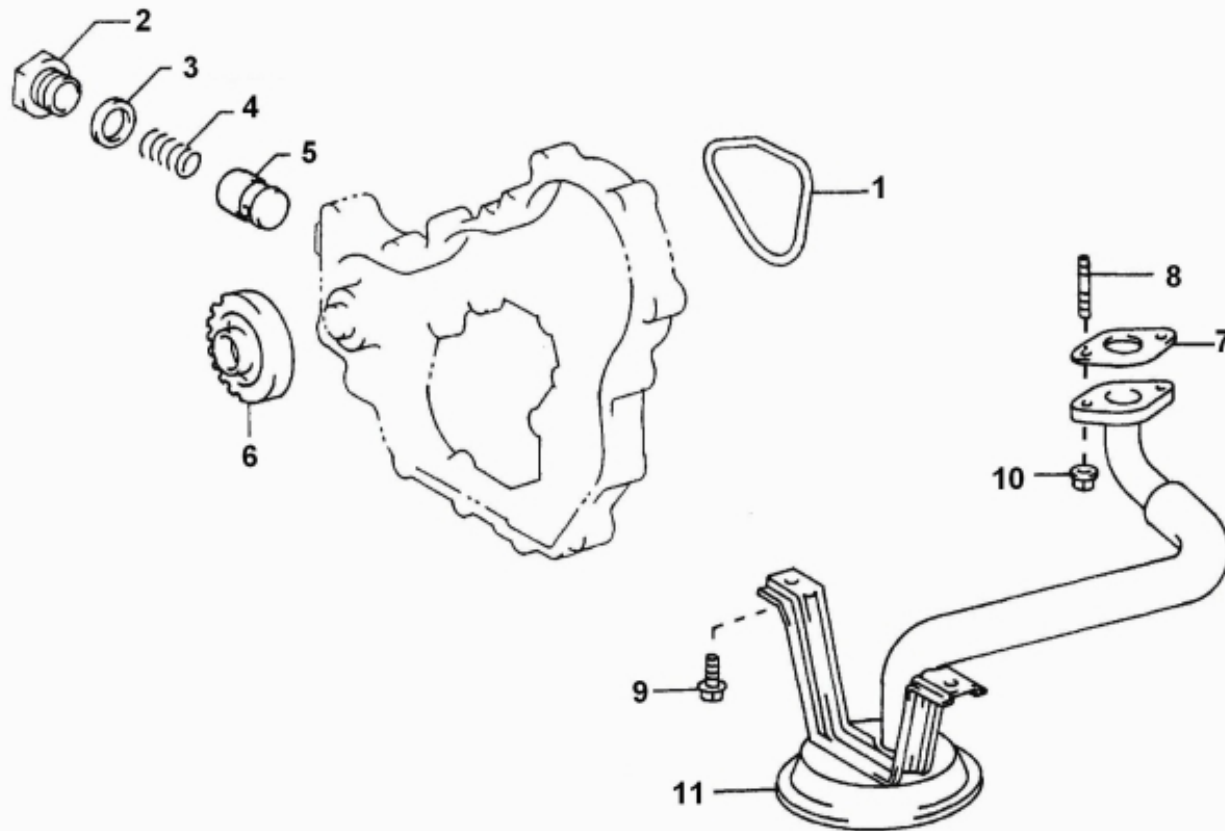
Pag. 5/39

Brand: NanniDiesel

Model: Moteur T6.420TDI T6.300

Version: 6.300

Subassembly: Oil pump



| N. | Item      | Description                  | Qty | Notes |
|----|-----------|------------------------------|-----|-------|
| 1  | 970312664 | GASKET,OIL PUMP              | 1   |       |
| 2  | 970312205 | PLUG,OIL PUMP RELIEF VALVE   | 1   |       |
| 3  | 970312204 | GASKET,OIL PUMP RELIEF VALVE | 1   |       |
| 4  | 970312203 | SPRING,OILPUMP RELIEF VALVE  | 1   |       |
| 5  | 970312665 | VALVE, OILPUMP RELIF         | 1   |       |
| 6  | 970312666 | GEAR,OIL PUMP DRIVE SHAFT    | 1   |       |
| 7  | 970312667 | GASKET,OIL STRAINER FLANGE   | 1   |       |
| 8  | 970312668 | BOLT,STUD                    | 2   |       |
| 9  | 970312570 | BOLT,W/WASHER                | 2   |       |
| 10 | 970312568 | NUT                          | 2   |       |
| 11 | 970312671 | STRAINER SUB-ASSY,OIL        | 1   |       |

V. 16/04/2013

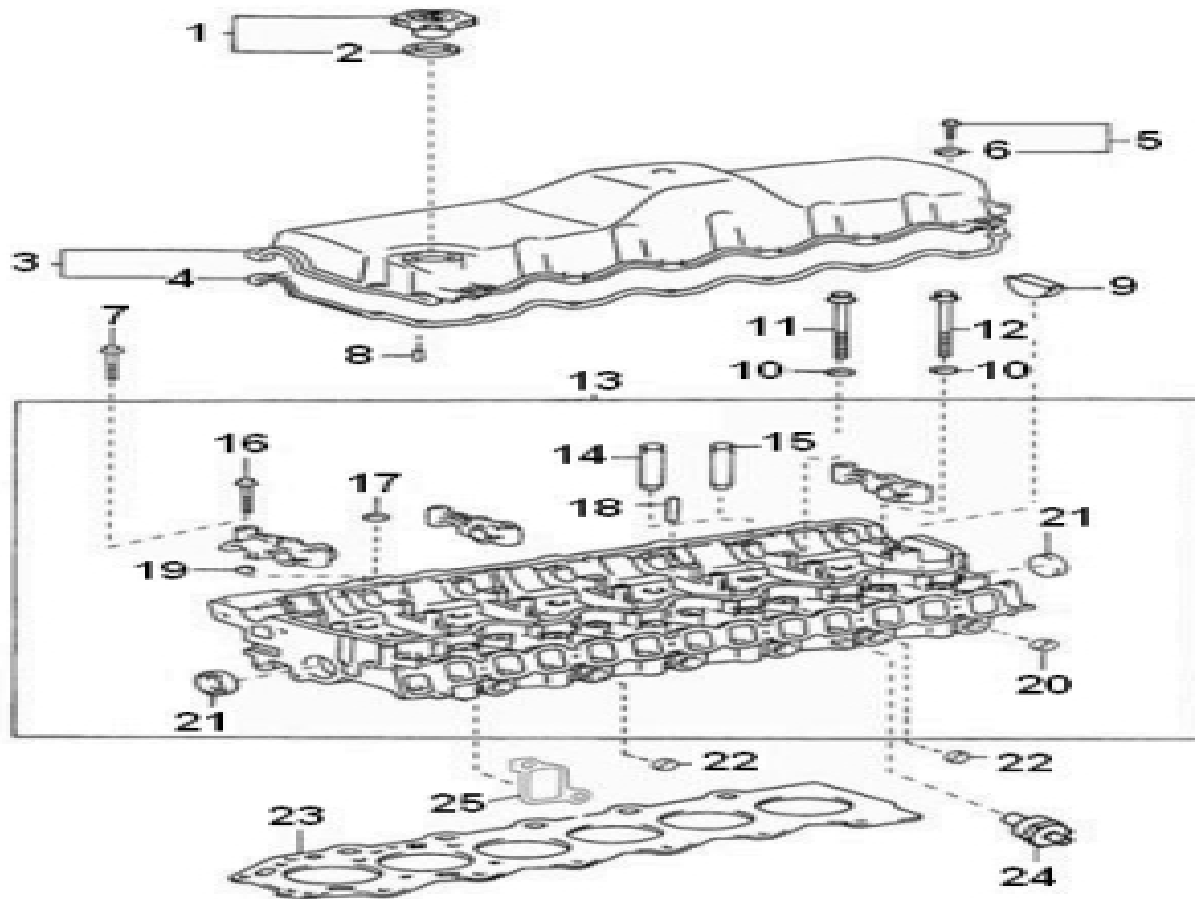
Pag. 6/39

Brand: NanniDiesel

Model: Moteur T6.420TDI T6.300

Version: 6.300

Subassembly: Cylinder head



| N. | Item      | Description                                     | Qty | Notes |
|----|-----------|---|-----|-------|
| 1  | 970312518 | CAP SUB-ASSY,OIL FILLER                         | 1   |       |
| 2  | 970312519 | GASKET  | 1   |       |
| 3  | 970312520 | COVER SUB-ASSY,CYLINDER HEAD                    | 1   |       |
| 4  | 970312521 | Gasket cilinder head cover                      | 1   |       |
| 5  | 970312522 | BOLT (For cylinder head cover)                  | 17  |       |
| 6  | 970312523 | WASHER ,SEAL                                    | 1   |       |
| 7  | 970312524 | BOLT,WASHER BASED HEAD HEXAGON                  | 14  |       |
| 8  | 970312525 | PIN,STRAIGHT                                    | 2   |       |
| 9  | 970312526 | PULG,SEMICIRCULAR                               | 1   |       |
| 10 | 970312527 | WASHER,PLATE (For cylinder hea - d set)         | 26  |       |
| 11 | 970312528 | BOLT (For cylinder head set L= - 133.5)         | 6   |       |
| 12 | 970312529 | BOLT (For cylinder head set L= - 121.5)         | 20  |       |
| 13 | 970312530 | HEAD SUB-ASSY,CYLINDER                          | 1   |       |
| 14 | 970312531 | BUSE,INTAKE , EXHAUST ,VALVE G - UIDE (STD)     | 24  |       |
| 15 | 970312532 | BUSE,INTAKE , EXHAUST ,VALVE GU - IDE(O/S 0.05) | 24  |       |
| 16 | 970312524 | BOLT,WASHER BASED HEAD HEXAGON                  | 7   |       |
| 17 | 970312533 | PULG,TIGHT,No.2                                 | 10  |       |
| 18 | 970312534 | PIN,STRAIGHT,No.1(L=53.5,OD=9)                  | 12  |       |
| 19 | 970312014 | PIN, RING                                       | 14  |       |
| 20 | 970312533 | PULG,TIGHT,No.2                                 | 1   |       |
| 21 | 970312035 | CAP, SEALING                                    | 2   |       |
| 22 | 970312536 | PLUG, TIGHT, NO.3(for Cylinder - Block)         | 1   |       |
| 23 | 970312537 | GASKET,CYLINDER HEAD (Mark 1)                   | 1   |       |
| 24 | 970312023 | WATER TEMP SENDER                               | 1   |       |
| 25 | 970312541 | GASKET,WATER OUTLET                             | 1   |       |

V. 16/04/2013

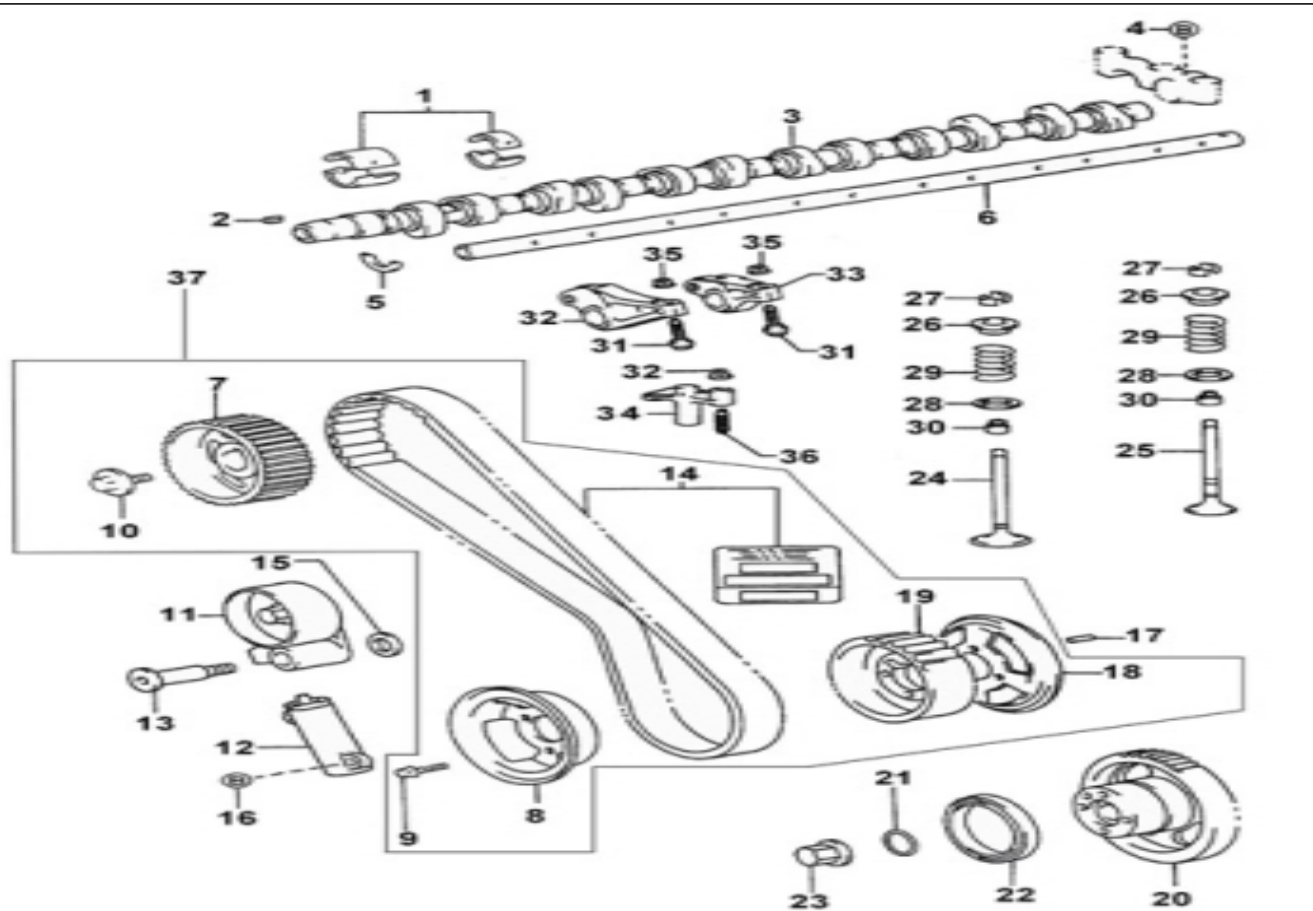
Pag. 7/39

Brand: NanniDiesel

Model: Moteur T6.420TDI T6.300

Version: 6.300

Subassembly: Camshaft



| N. | Item      | Description                           | Qty | Notes |
|----|-----------|---------------------------------------|-----|-------|
| 1  | 970312633 | BEARING SET,CAMSHAFT                  | 1   |       |
| 2  | 970312159 | KEY,WOOD RUFF                         | 1   |       |
| 3  | 970312634 | CAMSHAFT                              | 1   |       |
| 4  | 970312635 | BOLT,FLANGE                           | 1   |       |
| 5  | 970312636 | PLATE,CAMSHAFT THRUST                 | 1   |       |
| 6  | 970312637 | SHAFT SUB-ASSY,VALVE ROCKER,No -.1    | 1   |       |
| 7  | 970312638 | PULLEY,CAMSHAFT TIMING                | 1   |       |
| 8  | 970312639 | FLANGE,CAMSHAFT TIMING PULLEY, - No.2 | 1   |       |
| 9  | 970312640 | BOLT,WASHER BASED HEAD HEXAGON        | 4   |       |
| 10 | 970312157 | BOLT,WASHER                           | 1   |       |
| 11 | 970312641 | IDLER SUB-ASSY,TIMING BELT,No. - 1    | 1   |       |
| 12 | 970312642 | TENSIONER ASSY,CHAIN,No.1             | 1   |       |
| 13 | 970312643 | SHAFT,TIMING BELT IDLER               | 1   |       |
| 14 | 970312644 | BELT,TIMING                           | 1   |       |
| 15 | 970312645 | WASHER,PLATE                          | 1   |       |
| 16 | 970312163 | BOLT,FLANGE                           | 2   |       |
| 17 | 970312040 | PIN, STRAIGHT                         | 1   |       |
| 18 | 970312646 | FLANGE,CAMSHAFT TIMING PULLEY, - No.1 | 1   |       |
| 19 | 970312647 | GEAR,CAMSHAFT DRIVE                   | 1   |       |
| 20 | 970312648 | GEAR,INJECTION PUMP DRIVE             | 1   |       |
| 21 | 970312117 | O RING                                | 1   |       |
| 22 | 970312116 | BALL BEARING                          | 1   |       |
| 23 | 970312649 | NUT,CAP                               | 1   |       |
| 24 | 970312650 | VALVE,INTAKE                          | 12  |       |
| 25 | 970312651 | VALVE,EXHAUST                         | 12  |       |
| 26 | 970312652 | RETAINER,VALVE SPRING                 | 24  |       |
| 27 | 970312653 | LOCK,VALVE SPRING RETAINER            | 48  |       |
| 28 | 970312654 | SEAT,VALVE SPRING                     | 24  |       |
| 29 | 970312655 | SPRING,COMPRESSION (For inner)        | 24  |       |
| 30 | 970312656 | SEAL or RING,O (For valve stem - oil) | 24  |       |
| 31 | 970312657 | SCREW SUB-ASSY,VALVE ADJUSTING        | 12  |       |
| 32 | 970312658 | ARM SUB-ASSY,VALVE ROCKER,No.1        | 6   |       |
| 33 | 970312659 | ARM SUB-ASSY,VALVE ROCKER,No.2        | 6   |       |
| 34 | 970312660 | BRIDGE,VALVE                          | 12  |       |
| 35 | 970312661 | NUT,HEXAGON (For valve adjusti - ng)  | 24  |       |
| 36 | 970312662 | SCREW,VALVE ADJUSTING                 | 12  |       |
| 37 | 970313173 | TIMING BELT                           | 1   |       |

V. 16/04/2013

Pag. 8/39

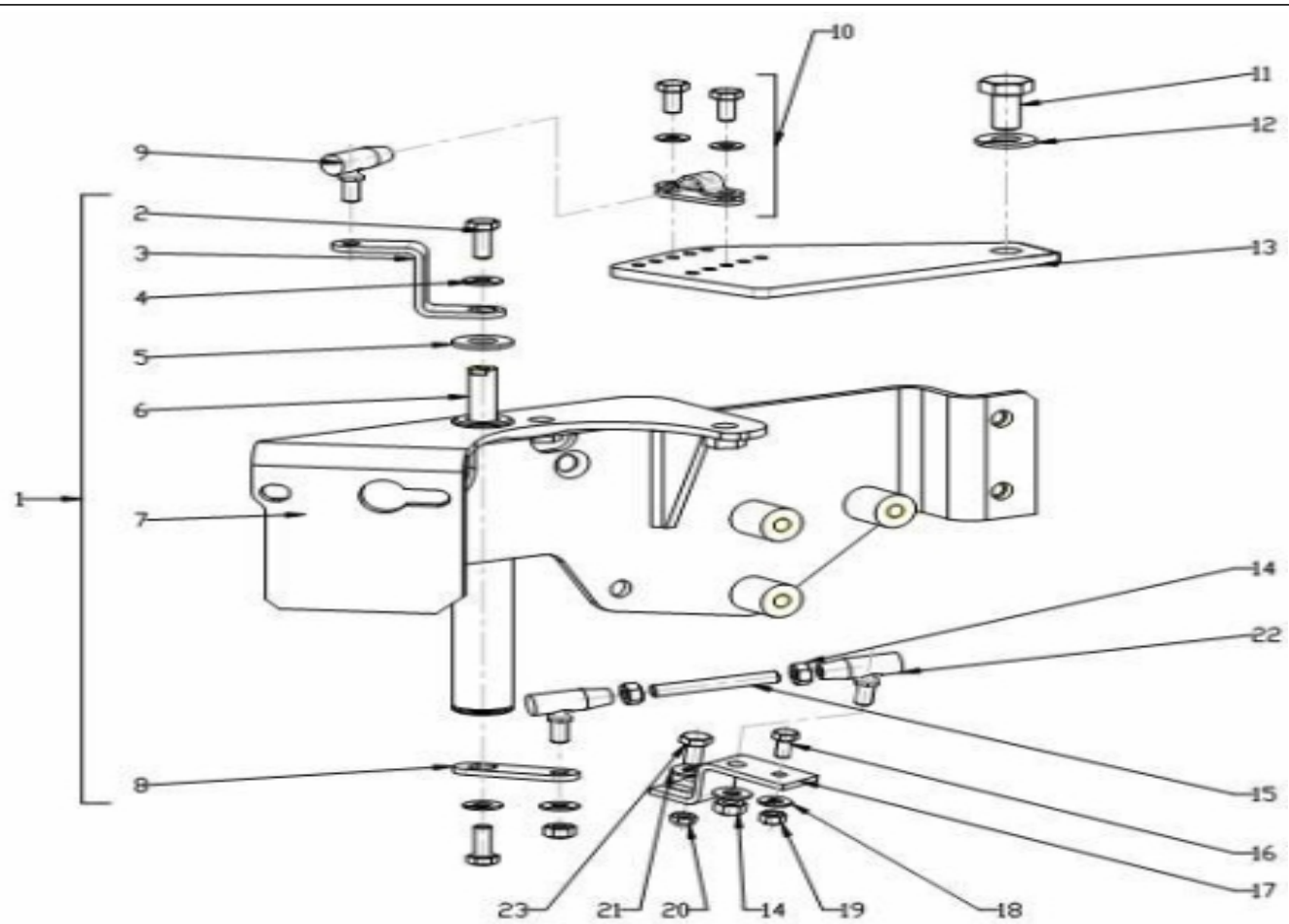


Brand: NanniDiesel

Model: Moteur T6.420TDI T6.300

Version: 6.300

Subassembly: Speed control



| N. | Item      | Description                                     | Qty | Notes |
|----|-----------|---|-----|-------|
| 1  | 48170000  | FUEL FILTER BRACKET                             | 1   |       |
| 2  | 970439910 | BOLT,HEX M 6X 16 (+++FIX.SUPPORT AG ACC )       | 2   |       |
| 3  | 95310619  | LEVER   | 1   |       |
| 4  | 970119149 | WASHER, SPRING D 6 (Pour protection injecteur ) | 2   |       |
| 5  | 970119135 | WASHER,PLAIN D10 (DONT DEUX POUR CALAGE GALET   | 1   |       |
| 6  | 95312292  | AXLE  | 1   |       |
| 7  | 48170000  | FUEL FILTER BRACKET                             | 1   |       |
| 8  | 95310618  | LEVER   | 1   |       |
| 9  | 970830124 | JOINT   | 1   |       |
| 10 | 970835020 | CLAMP   | 1   |       |
| 11 | 39160463  | BOLT,HEX M10X1,25X 25                           | 1   |       |
| 12 | 970119136 | WASHER,SPRING D10 (POUR INVERSEUR )             | 1   |       |
| 13 | 95310608  | BRACKET   | 1   |       |
| 14 | 970635460 | NUT,M 6   | 3   |       |
| 15 | 43350007  | THREADED PIN D6 L76                             | 1   |       |
| 16 | 970300317 | BOLT,HEX M 5X 16                                | 1   |       |
| 17 | 95310617  | LEVER   | 1   |       |
| 18 | 970300318 | WASHER,SPRING D 5                               | 2   |       |
| 19 | 970609904 | NUT,M 5   | 1   |       |
| 20 | 970494516 | NUT,LOCK M 6                                    | 1   |       |
| 21 | 970635459 | WASHER,PLAIN D 6 (CALAGE )                      | 1   |       |
| 22 | 644141    | BALL AND SOCKET JOINT                           | 2   |       |
| 23 | 970439910 | BOLT,HEX M 6X 16 (+++FIX.SUPPORT AG ACC )       | 1   |       |

V. 16/04/2013

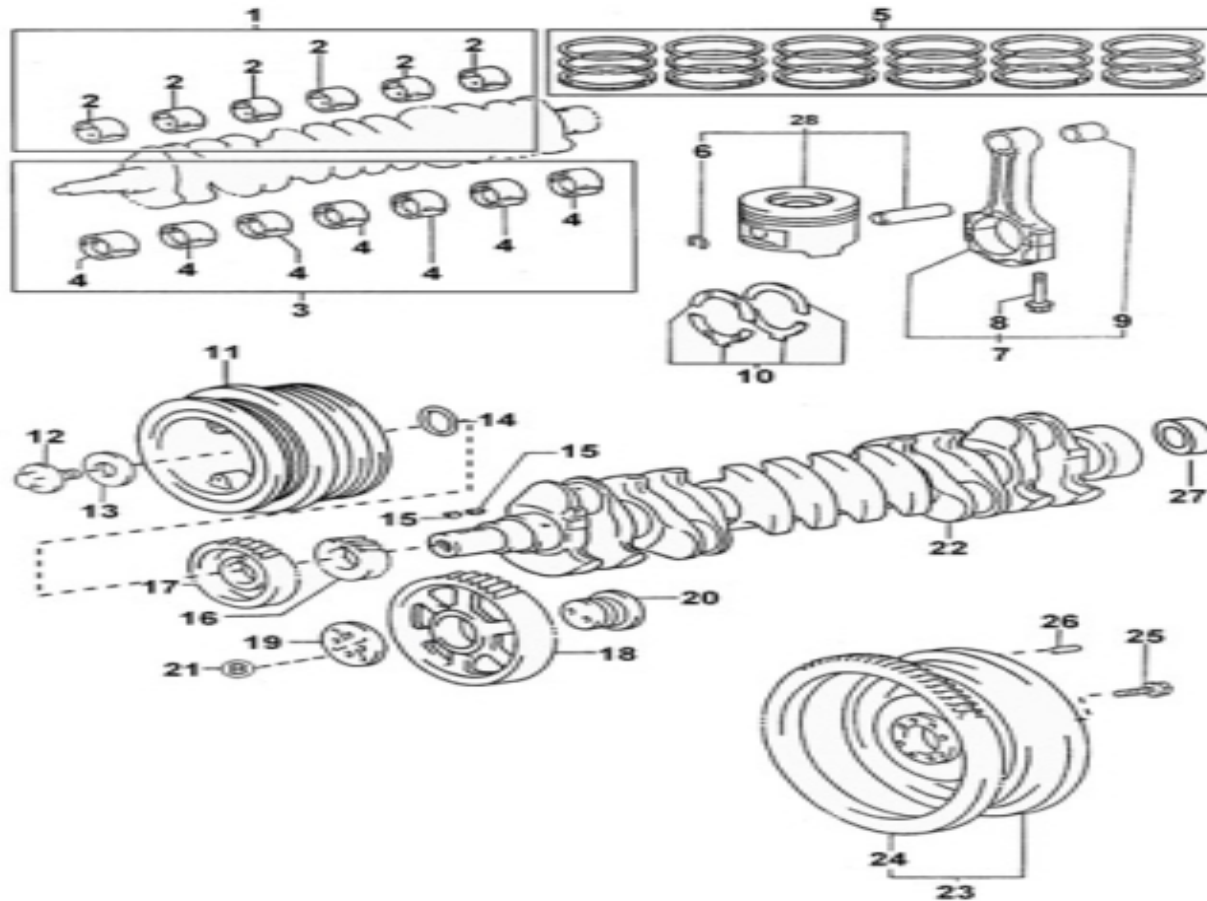
Pag. 9/39

Brand: NanniDiesel

Model: Moteur T6.420TDI T6.300

Version: 6.300

Subassembly: Crankshaft pistons



| N. | Item         | Description   | Qty | Notes            |
|----|--------------|---|-----|------------------|
| 1  | 970312595    | BEARING SET,CONNECTING ROD (U/ - S 0.25)            | 1   |                  |
| 2  | 970312597    | BEARING,CONNECTING ROD (Mark 2 - )                  | 6   |                  |
| 3  | 970312602    | BEARING SET,CRANKSHAFT (STD)                        | 1   |                  |
| 4  | 970312604    | BEARING,CRANKSHAFT (Mark2)                          | 7   |                  |
| 5  | 970312610    | RING SET,PISTON (STD)                               | 1   |                  |
| 6  | 970312612    | RING,HOLE SNAP                                      | 12  |                  |
| 7  | 970312613    | ROD SUB-ASSY,CONNECTING                             | 6   |                  |
| 8  | 970312614    | BOLT,CONNECTING ROD                                 | 2   |                  |
| 9  | 970312615    | BUSH (For connecting rod small - end)               | 1   |                  |
| 10 | 970312616    | WASHER SET,CRANKSHAFT THRUST                        | 1   |                  |
| 11 | 970312617    | PULLEY ,CRANKSHAFT                                  | 1   |                  |
| 12 | 970312618    | BOLT (For crankshaft pulley se - t)                 | 1   |                  |
| 13 | 970312619    | WASHER,PLATE (For crankshaft p - ulley set)         | 1   |                  |
| 14 | 970312620    | RING,O  | 1   |                  |
| 15 | 970312111    | KEY   | 2   |                  |
| 16 | 970312621    | GEAR or SPROCKET,CRANKSHAFT TI - MING               | 1   |                  |
| 17 | 970312622    | GEAR,PUMP DRIVE SHAFT                               | 1   |                  |
| 18 | 970312623    | GEAR,IDLE,No.1                                      | 1   |                  |
| 19 | 970312624    | PLATE,IDLE GEAR THRUST                              | 1   |                  |
| 20 | 970312625    | SHAFT,IDLE GEAR,No.1                                | 1   |                  |
| 21 | 970312626    | BOLT,WASHER BASED HEAD HEXAGON                      | 2   |                  |
| 22 | 970312627    | CRANKSHAFT  | 1   |                  |
| 23 | 970312628    | FLYWHEEL SUB-ASSY,                                  | 1   |                  |
| 24 | 970312629    | GEAR,FLYWHEEL RING                                  | 1   |                  |
| 25 | 970312630    | BOLT,FLYWHEEL SET (For flywhee - l)                 | 8   |                  |
| 26 | 970312120    | PIN,STRAIGHT  | 3   |                  |
| 27 | 970312631    | BEARIG, RADIAL BALL                                 | 1   |                  |
| 28 | 970312632-01 | SIZE 01 - PISTON SUB-ASSY,W/PIN (TAILLE / SIZE 01 ) | 6   | TAILLE / SIZE 01 |
| 28 | 970312632-02 | SIZE 02 - PISTON SUB-ASSY,W/PIN (TAILLE / SIZE 02 ) | 6   | TAILLE / SIZE 02 |
| 28 | 970312632-03 | SIZE 03 - PISTON SUB-ASSY,W/PIN (TAILLE / SIZE 03 ) | 6   | TAILLE / SIZE 03 |

V. 16/04/2013

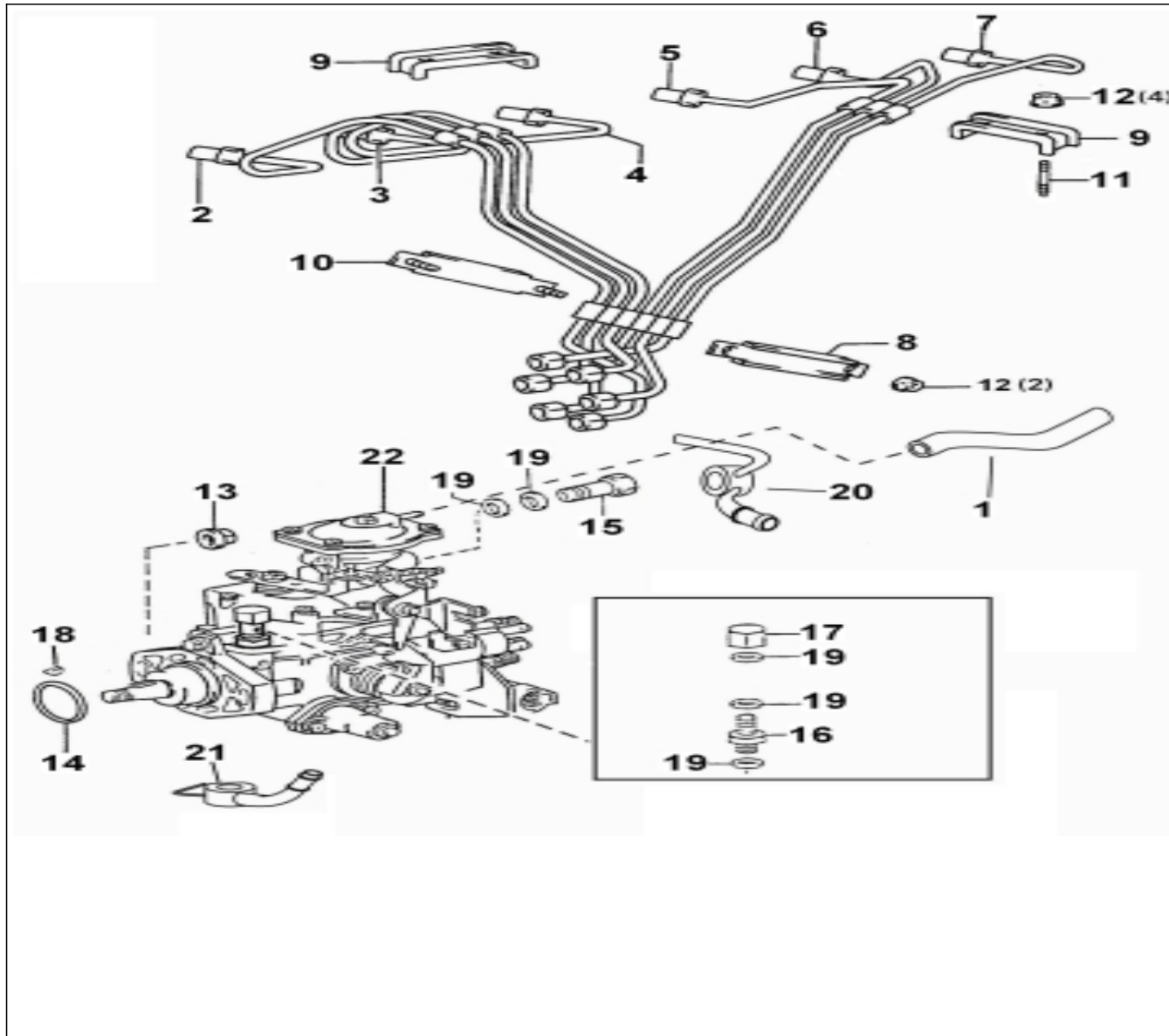
Pag. 10/39

Brand: NanniDiesel

Model: Moteur T6.420TDI T6.300

Version: 6.300

Subassembly: Injection & Fuel pump



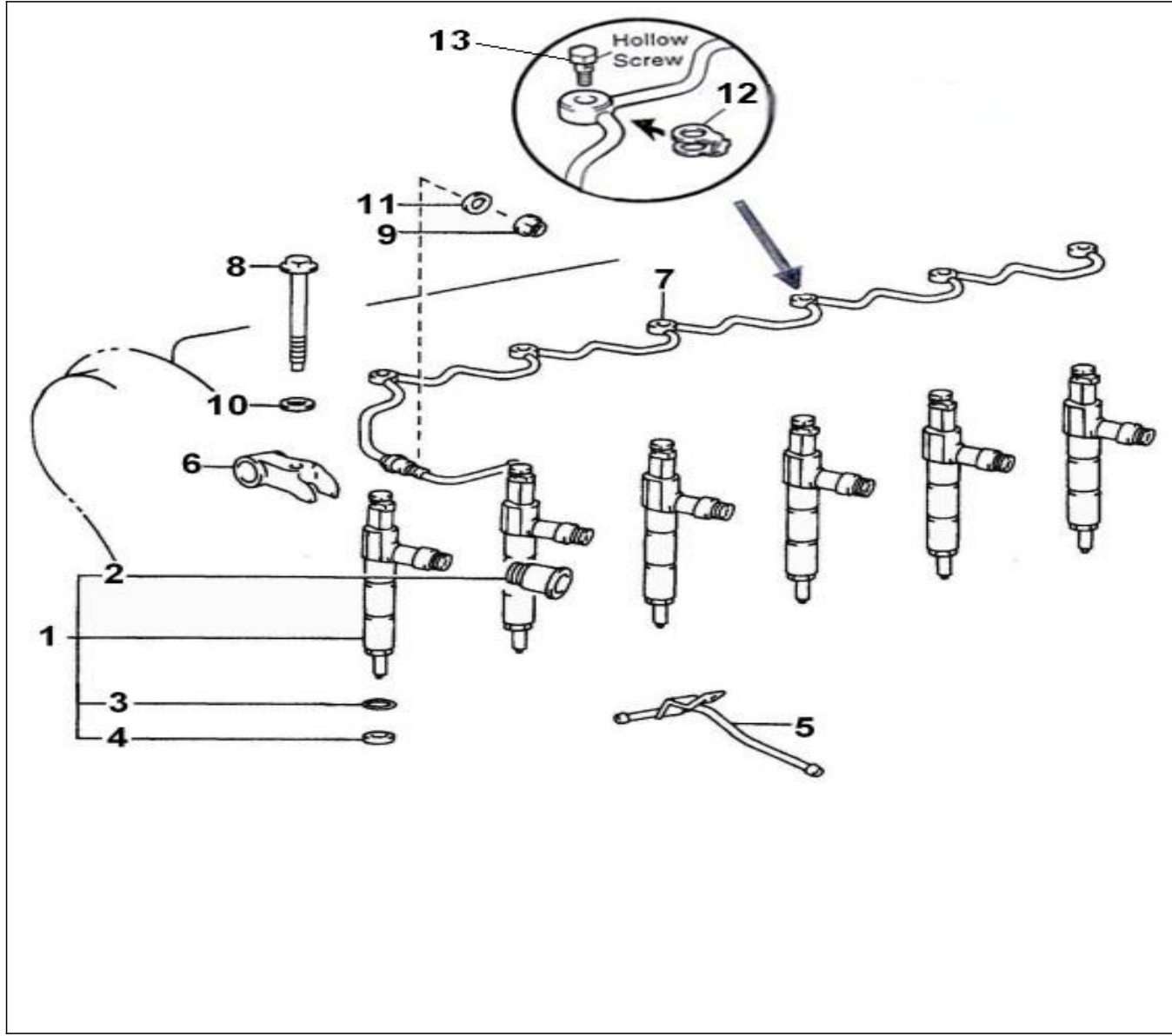
| N. | Item      | Description                  | Qty | Notes |
|----|-----------|------------------------------|-----|-------|
| 1  | 970312281 | HOSE,VACUUM                  | 1   |       |
| 2  | 970312702 | PIPE SUB-ASSY,INJECTION,No.1 | 1   |       |
| 3  | 970312703 | PIPE SUB-ASSY,INJECTION,No.2 | 1   |       |
| 4  | 970312704 | PIPE SUB-ASSY,INJECTION,No.3 | 1   |       |
| 5  | 970312705 | PIPE SUB-ASSY,INJECTION,No.4 | 1   |       |
| 6  | 970312706 | PIPE SUB-ASSY,INJECTION,No.5 | 1   |       |
| 7  | 970312707 | PIPE SUB-ASSY,INJECTION,No.6 | 1   |       |
| 8  | 970312708 | CLAMP,INJECTION PIPE,No.1    | 1   |       |
| 9  | 970312709 | CLAMP,INJECTION PIPE,No.1    | 2   |       |
| 10 | 970312710 | CLAMP,INJECTION PIPE,No.2    | 1   |       |
| 11 | 970312711 | STUD,HEX LOBULAR             | 4   |       |
| 12 | 970312294 | NUT                          | 6   |       |
| 13 | 970312300 | NUT                          | 2   |       |
| 14 | 970312298 | RING,O                       | 1   |       |
| 15 | 970312712 | SCREW SUB-ASSY,OVERFLOW      | 1   |       |
| 16 | 970312713 | SCREW,OVERFLOW               | 1   |       |
| 17 | 970312714 | NUT,CAP                      | 1   |       |
| 18 | 970312715 | KEY (FOR DRIVE GEAR)         | 1   |       |
| 19 | 970312716 | WASHER,AIR BLEEDER NIPPLE    | 5   |       |
| 20 | 970312717 | PIPE,NOZZLE LEAKAGE,No.2     | 1   |       |
| 21 | 970312718 | PIPE,FUEL,No.1               | 1   |       |
| 22 | 970312719 | PUMP ASSY,INJECTION          | 1   |       |

V. 16/04/2013

Pag. 11/39

Brand: NanniDiesel  
 Model: Moteur T6.420TDI T6.300  
 Version: 6.300  
 Subassembly: Injection lines nozzles

| N. | Item      | Description                    | Qty | Notes |
|----|-----------|--------------------------------|-----|-------|
| 1  | 970312692 | INJECTOR                       | 6   |       |
| 2  | 970312693 | SEAL, NOZZLE HOLDER            | 6   |       |
| 3  | 970312694 | RING, O                        | 6   |       |
| 4  | 970312695 | SEAT, INJECTION NOZZLE         | 6   |       |
| 5  | 970312481 | PIPE,NOZZLE LEAKEGE,No.3       | 1   |       |
| 6  | 970312696 | CLAMP,NOZZLE HOLDER            | 6   |       |
| 7  | 970312697 | PIPE,NOZZLE LEAKEGE,No.1       | 1   |       |
| 8  | 970312698 | BOLT,WASHER BASED HEAD HEXAGON | 6   |       |
| 9  | 970312699 | NUT                            | 1   |       |
| 10 | 970312700 | WASHER                         | 6   |       |
| 11 | 970312701 | GASKET                         | 1   |       |
| 12 | 970315197 | JOINT TUYAU INJECTEUR 6.420TDI | 6   |       |
| 13 | 970315198 | VIS TUYAU INJECTEUR 6.420TDI   | 6   |       |

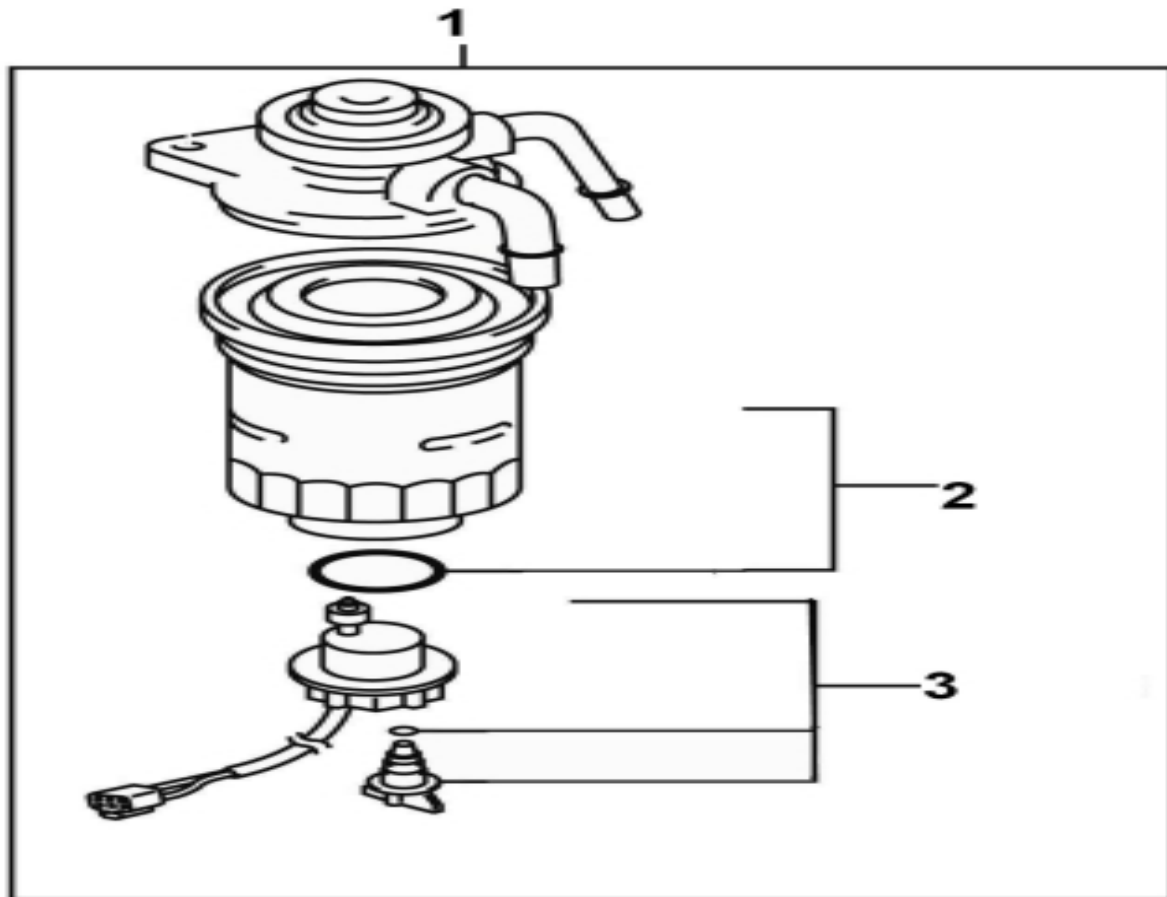


V. 16/04/2013

Pag. 12/39

Brand: NanniDiesel  
Model: Moteur T6.420TDI T6.300  
Version: 6.300  
Subassembly: Fuel filter Assy.

| N. | Item      | Description               | Qty | Notes |
|----|-----------|---------------------------|-----|-------|
| 1  | 970312482 | GO FILTER                 | 1   |       |
| 2  | 970311185 | FUEL FILTER               | 1   |       |
| 3  | 970312242 | PLUG W/WATER LEVEL SWITCH | 1   |       |



V. 16/04/2013

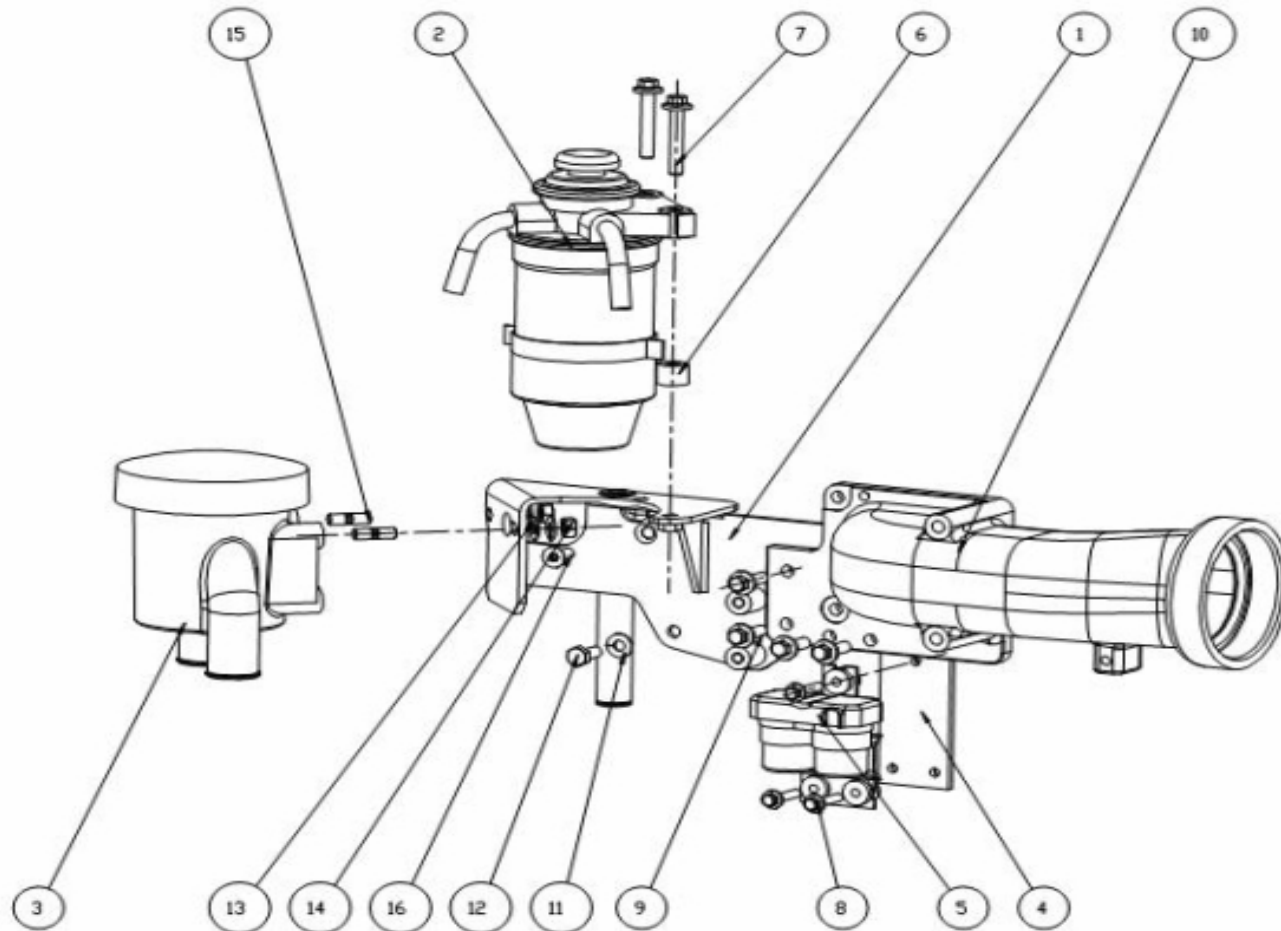
Pag. 13/39

Brand: NanniDiesel

Model: Moteur T6.420TDI T6.300

Version: 6.300

Subassembly: Filter Support



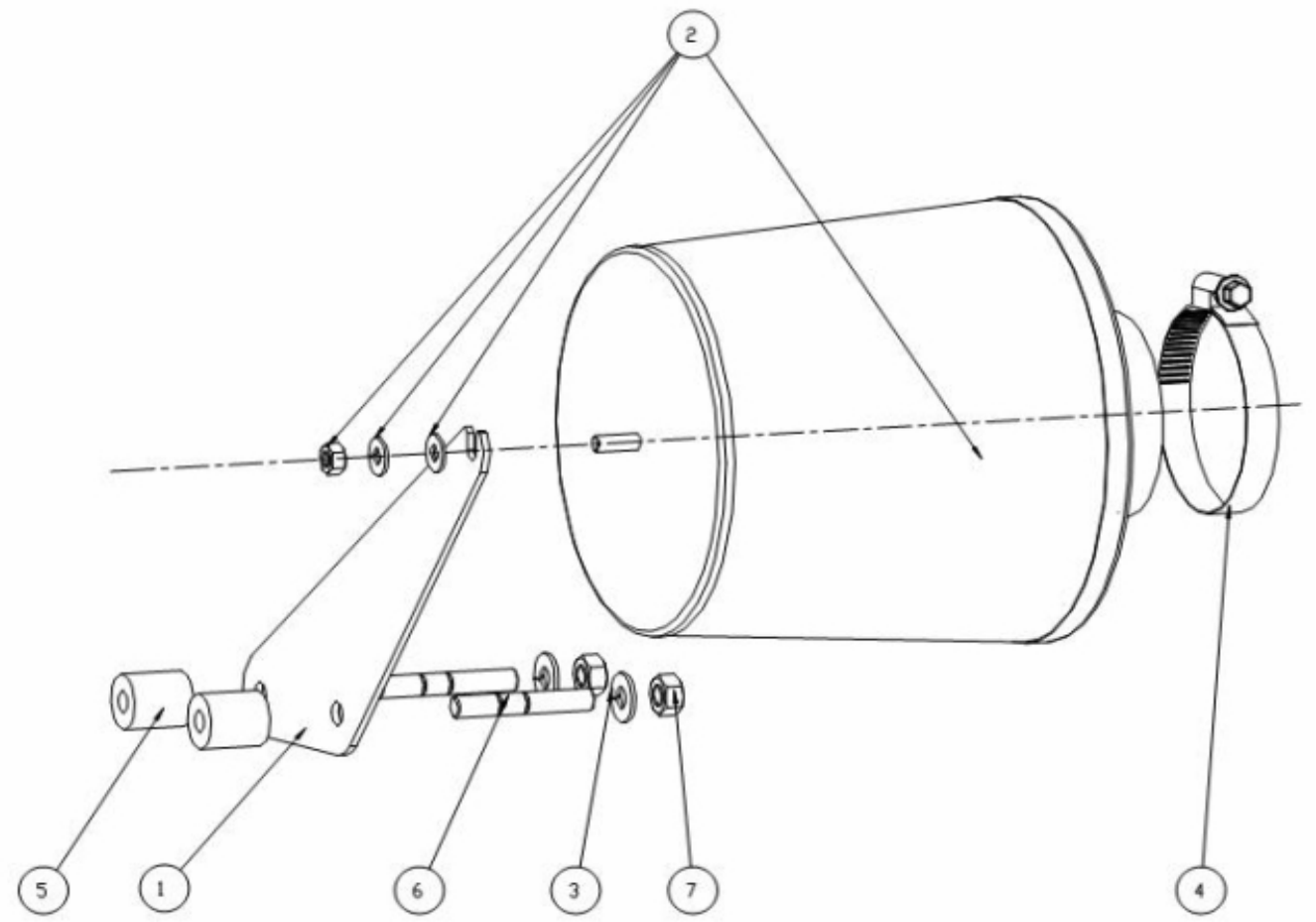
| N. | Item      | Description   | Qty | Notes |
|----|-----------|---|-----|-------|
| 1  | 48170000  | FUEL FILTER BRACKET                                     | 1   |       |
| 2  | 970312482 | GO FILTER   | 1   |       |
| 3  | 970312484 | SEA WATER FILTER  | 1   |       |
| 4  | 95310656  | BRACKET   | 1   |       |
| 5  | 970312492 | TIMER ASSY,POSTHEATING (Mettre en stock - Livré avec la | 1   |       |
| 6  | 43320284  | SPACER  | 2   |       |
| 7  | 39160642  | BOLT  | 2   |       |
| 8  | 39160636  | BOLT  | 3   |       |
| 9  | 39160638  | BOLT  | 4   |       |
| 10 | 95200234  | AIR OUTLET PIPE   | 1   |       |
| 11 | 970119138 | WASHER, SPRING D 8 (TENDEUR )                           | 3   |       |
| 12 | 970639903 | BOLT, HEX M 8 X 16 (+++FIX SUPPORT ET WASTEGATE )       | 1   |       |
| 13 | 970027323 | WASHER, PLAIN D 8                                       | 2   |       |
| 14 | 970027322 | NUT, M 8 (+++ECROU FIL DEMARREUR )                      | 2   |       |
| 15 | 39020301  | STUD BOLT (<= N° T203061009 )                           | 2   |       |
| 16 | 39153307  | BOLT (FIX PLATEAU SUR LONGERON )                        | 1   |       |

V. 16/04/2013

Pag. 14/39

|                                |
|--------------------------------|
| Brand: NanniDiesel             |
| Model: Moteur T6.420TDI T6.300 |
| Version: 6.300                 |
| Subassembly: Air filter        |

| N. | Item      | Description                       | Qty | Notes |
|----|-----------|-----------------------------------|-----|-------|
| 1  | 95310640  | BRACKET                           | 1   |       |
| 2  | 48100879  | AIR CLEANER                       | 1   |       |
| 3  | 970119138 | WASHER,SPRING D 8 (TENDEUR )      | 1   |       |
| 4  | 970316029 | CLAMP                             | 1   |       |
| 5  | 43320275  | SPACER                            | 2   |       |
| 6  | 970307249 | STUD (+++FIX TENDEUR )            | 1   |       |
| 7  | 970027322 | NUT,M 8 (+++ECROU FIL DEMARREUR ) | 2   |       |



V. 16/04/2013

Pag. 15/39

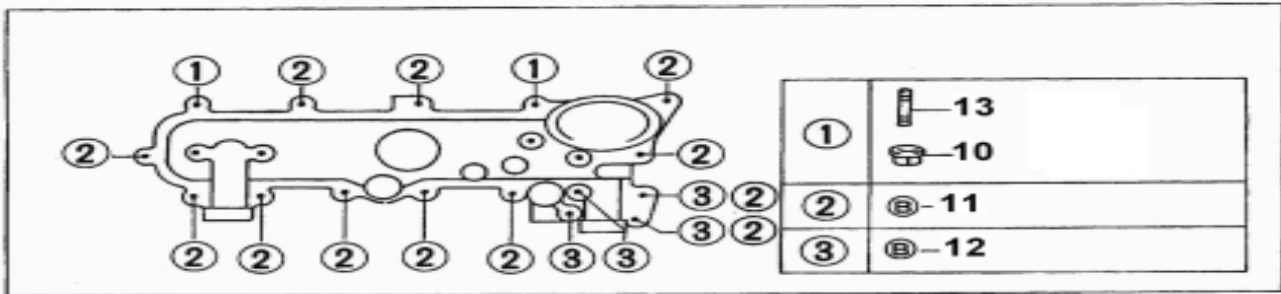
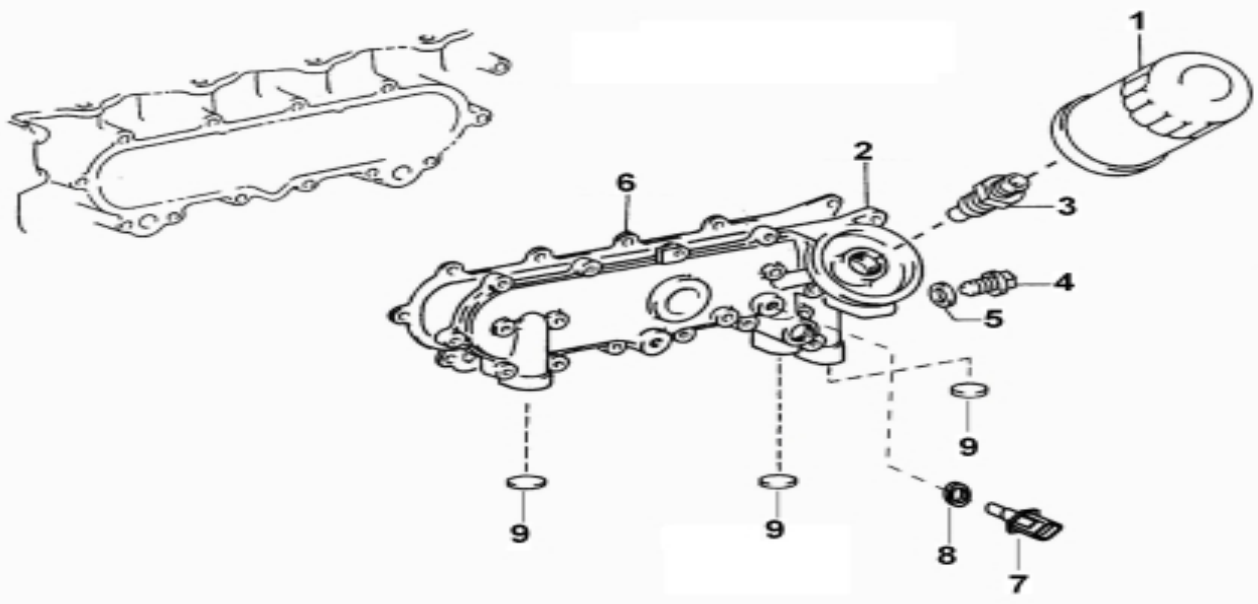
Brand: NanniDiesel

Model: Moteur T6.420TDI T6.300

Version: 6.300

Subassembly: Oil filter Assy

| N. | Item      | Description              | Qty | Notes |
|----|-----------|--------------------------|-----|-------|
| 1  | 970312207 | FILTER                   | 1   |       |
| 2  | 970312672 | NUT                      | 1   |       |
| 3  | 970312212 | UNION (FOR OIL FILTER)   | 1   |       |
| 4  | 970312673 | VALVE SUB-ASSY,OIL CHECK | 1   |       |
| 5  | 970312701 | GASKET                   | 1   |       |
| 6  | 970312675 | GASKET,OIL FILTER        | 1   |       |
| 7  | 970312269 | TURBO WATER SENSOR       | 1   |       |
| 8  | 970312268 | GASKET                   | 1   |       |
| 9  | 970312676 | PLUG,TIGHT               | 3   |       |
| 10 | 970312677 | NUT                      | 2   |       |
| 11 | 970312334 | BOLT                     | 12  |       |
| 12 | 970312678 | BOLT,FLANGE              | 2   |       |
| 13 | 970312679 | BOLT, STUD               | 2   |       |



V. 16/04/2013

Pag. 16/39

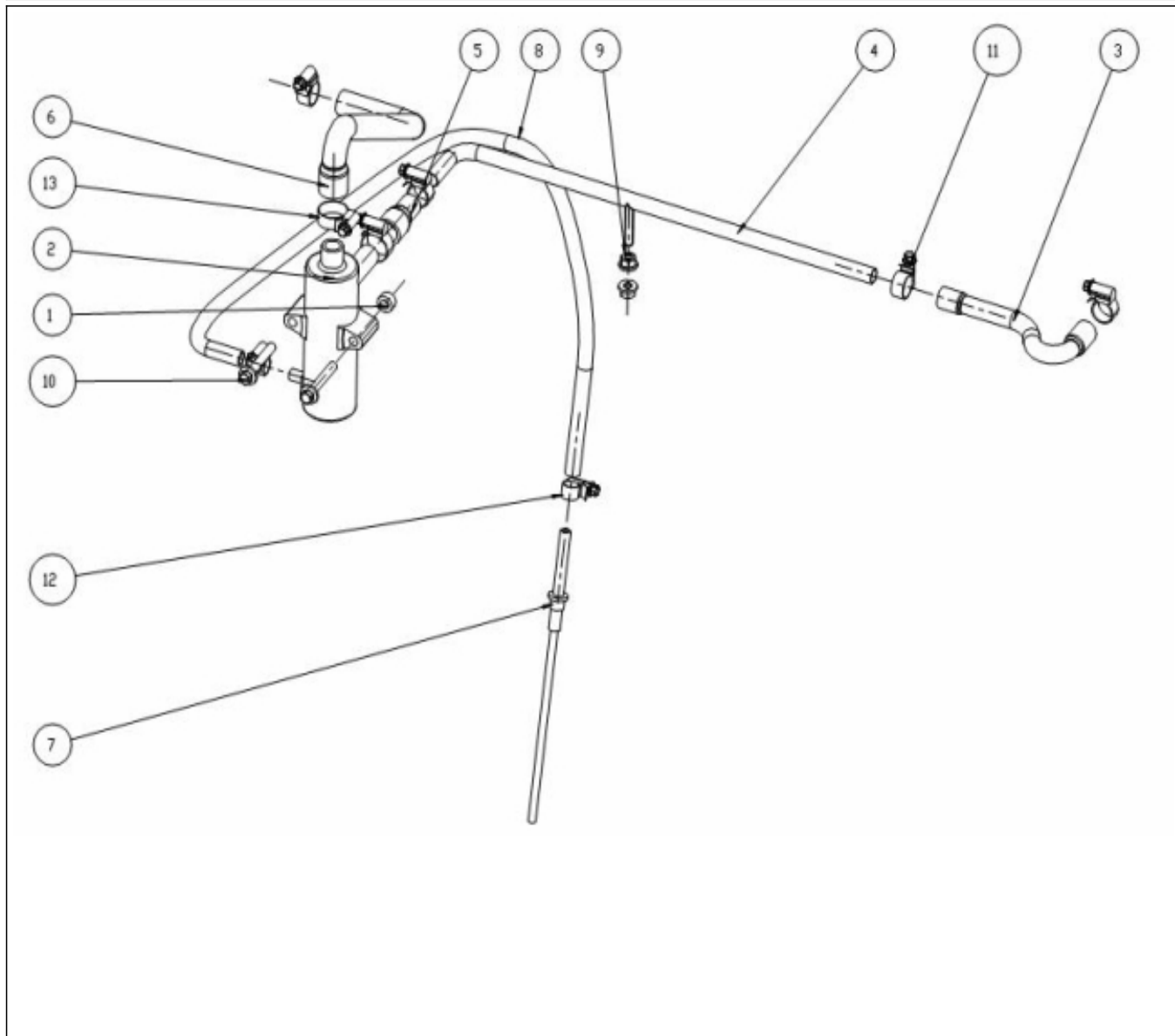


Brand: NanniDiesel

Model: Moteur T6.420TDI T6.300

Version: 6.300

Subassembly: Oil Separator Assy



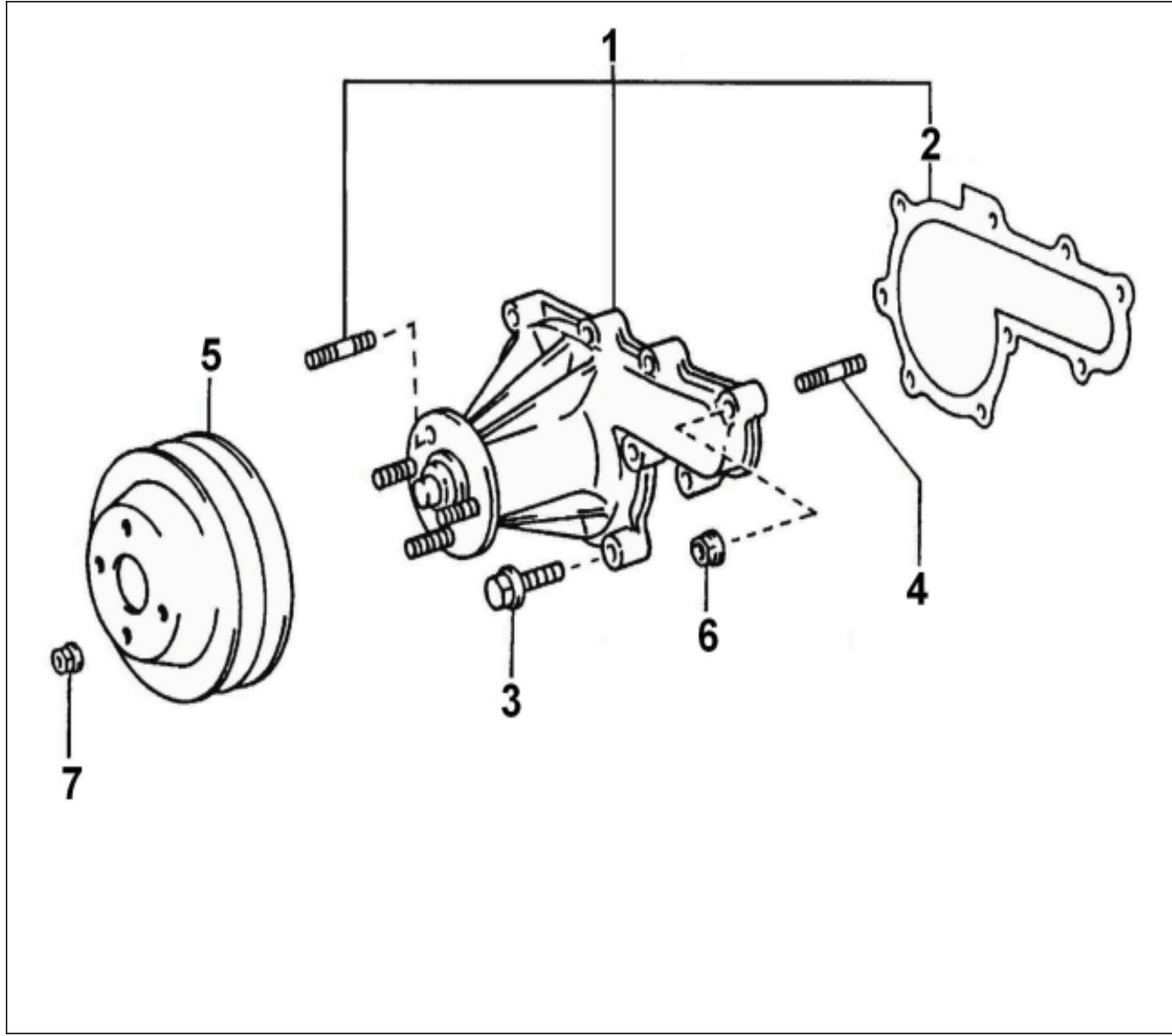
| N. | Item      | Description                                      | Qty | Notes |
|----|-----------|--|-----|-------|
| 1  | 95312344  | SPACER   | 2   |       |
| 2  | 970312490 | OIL SEPARATOR                                    | 1   |       |
| 3  | 48328118  | HOSE, BREATHER OUT CYLINDER - HEAD COVER         | 1   |       |
| 4  | 51308015  | PIPE, BREATHER                                   | 1   |       |
| 5  | 48328116  | HOSE, BREATHER IN SEPARATOR                      | 1   |       |
| 6  | 48328117  | HOSE, BREATHER OUT SEPARATOR                     | 1   |       |
| 7  | 51308014  | TUBE, RETURN OIL - SEPARATOR                     | 1   |       |
| 8  | 32810002  | FUEL HOSE ISO 7840 D10 (REFROIDISSEUR-BACHE )    | 1   |       |
| 9  | 39460916  | NUT (+++FIX ECHANGEUR )                          | 2   |       |
| 10 | 39160641  | BOLT   | 2   |       |
| 11 | 970301604 | CLAMP,HOSE 15-24 (ALIM EAU GENE )                | 4   |       |
| 12 | 970434506 | CLAMP,HOSE 13-20 (POUR DURITE REF HUILE MOTEUR ) | 2   |       |
| 13 | 970604526 | CLAMP,HOSE 22-32 (COTE ECHANGEUR )               | 2   |       |

V. 16/04/2013

Pag. 17/39

Brand: NanniDiesel  
 Model: Moteur T6.420TDI T6.300  
 Version: 6.300  
 Subassembly: Fresh water pump

| N. | Item      | Description       | Qty | Notes |
|----|-----------|-------------------|-----|-------|
| 1  | 970312937 | PUMP ASSY,WATER   | 1   |       |
| 2  | 970312938 | GASKET,WATER PUMP | 1   |       |
| 3  | 970312939 | BOLT,FLANGE       | 5   |       |
| 4  | 970312940 | BOLT,STUD         | 2   |       |
| 5  | 970312941 | PULLEY,FAN        | 1   |       |
| 6  | 970312677 | NUT               | 4   |       |
| 7  | 970312686 | NUT               | 4   |       |

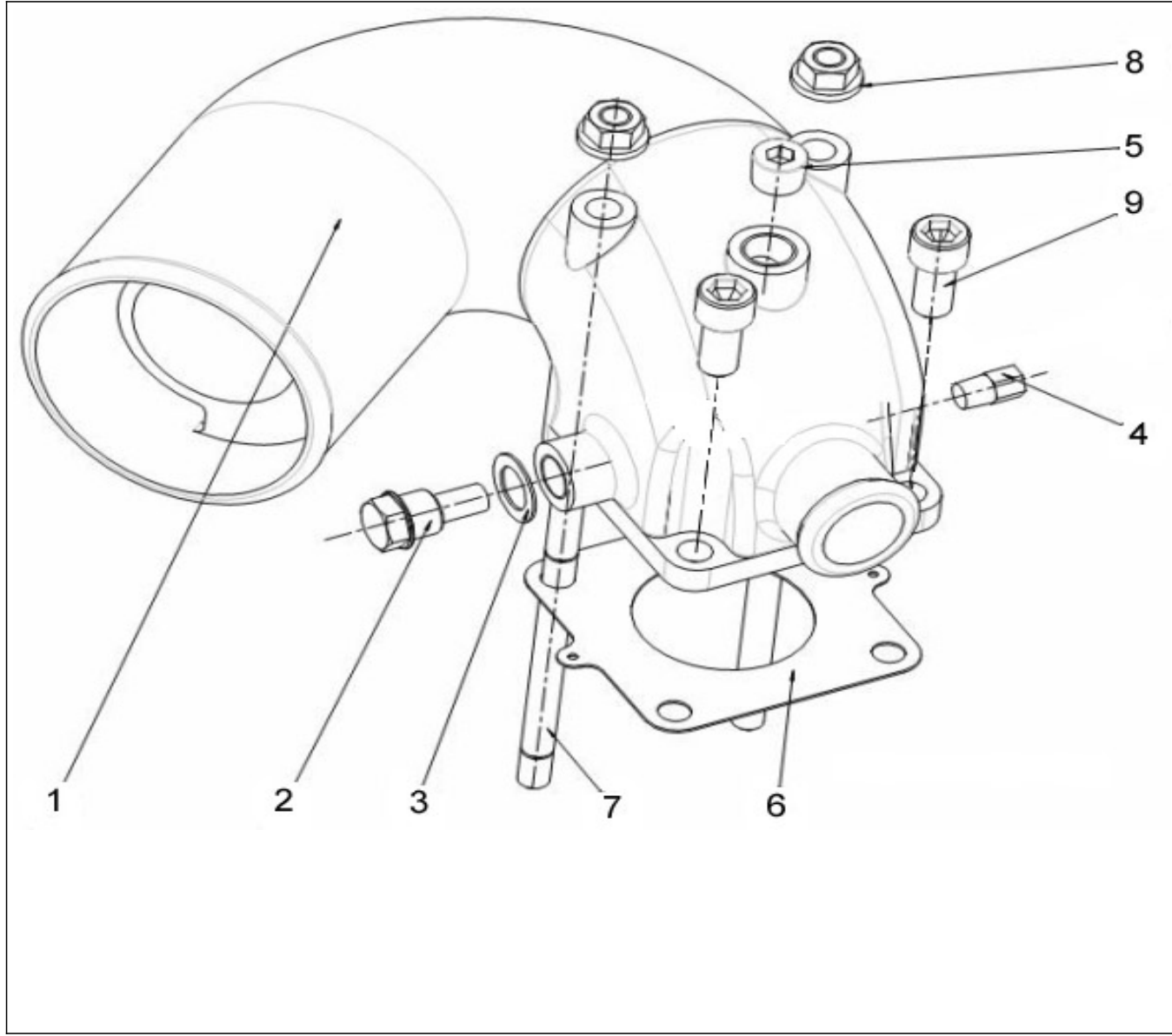


V. 16/04/2013

Pag. 18/39

Brand: NanniDiesel  
 Model: Moteur T6.420TDI T6.300  
 Version: 6.300  
 Subassembly: Exhaust elbow

| N. | Item      | Description            | Qty | Notes |
|----|-----------|------------------------|-----|-------|
| 1  | 665200001 | MIXER                  | 1   |       |
| 2  | 970494635 | ANODE,ZINC CPL M16X1,5 | 1   |       |
| 3  | 970300199 | GASKET,RING D16        | 1   |       |
| 4  | 970307265 | PLUG,HEX 1/8           | 1   |       |
| 5  | 970310264 | PLUG                   | 1   |       |
| 6  | 970312690 | GASKET                 | 1   |       |
| 7  | 39020439  | STUD BOLT              | 2   |       |
| 8  | 39460917  | NUT,FLANGE             | 2   |       |
| 9  | 39129418  | BOLT                   | 2   |       |



V. 16/04/2013

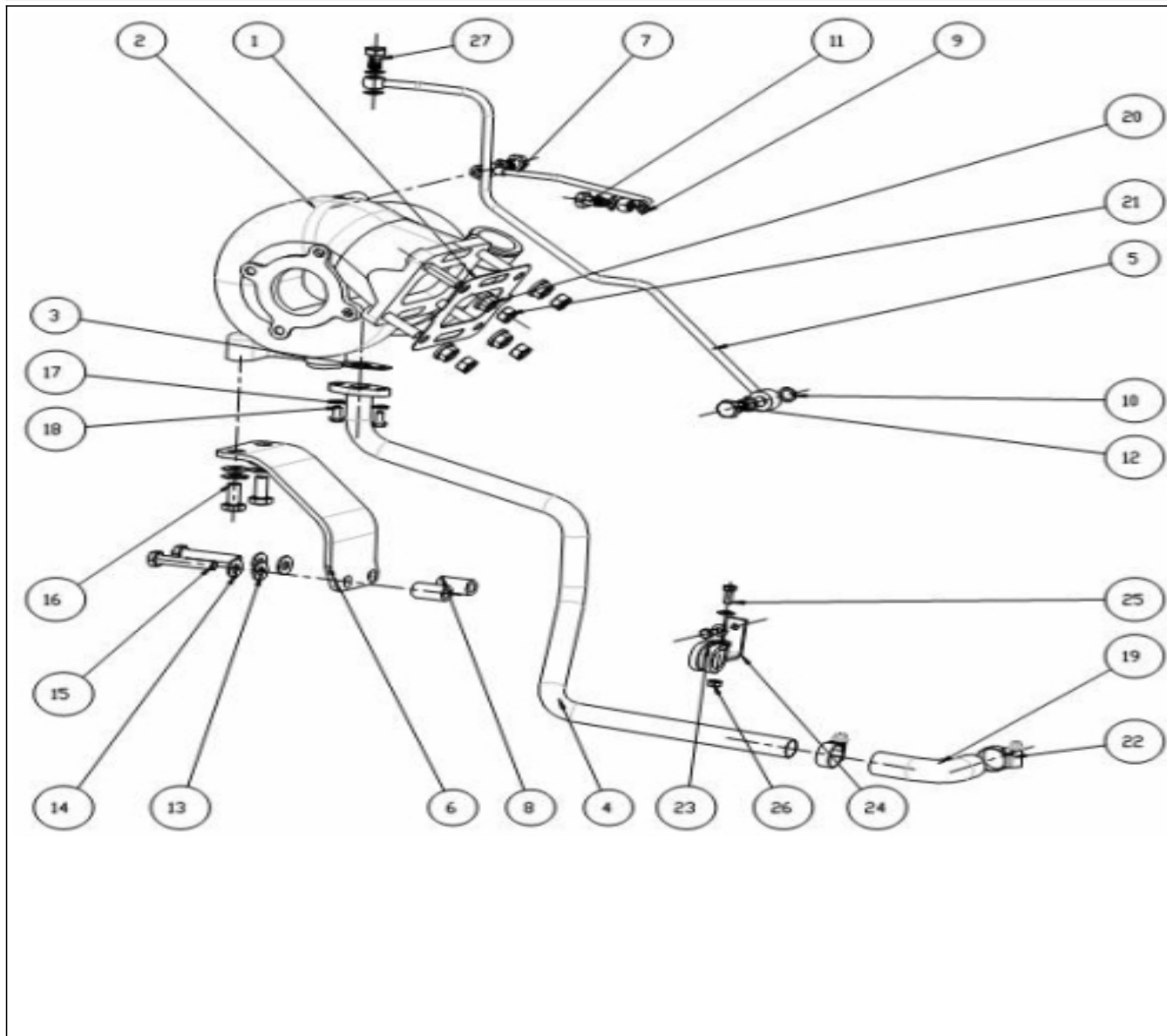
Pag. 19/39

Brand: NanniDiesel

Model: Moteur T6.420TDI T6.300

Version: 6.300

Subassembly: Turbocherger, Exh. Mixer



| N. | Item      | Description                                     | Qty | Notes                 |
|----|-----------|---|-----|-----------------------|
| 1  | 970312689 | GASKET  | 1   |                       |
| 2  | 970312493 | TURBO CHARGER - 6.420 TDI                       | 1   |                       |
| 3  | 970312496 | GASKET, OIL RETURN - 6.420 TDI TURBOCHARGER     | 1   |                       |
| 4  | 51306114  | PIPE, RETURN OIL - LUBRICATION TURBO            | 1   |                       |
| 5  | 51306113  | PIPE, OIL LUBRICATION - TO TURBO                | 1   |                       |
| 6  | 95310609  | BRACKET   | 1   |                       |
| 7  | 51306118  | PIPE  | 1   |                       |
| 8  | 95312343  | SPACER  | 2   |                       |
| 9  | 970300430 | GASKET,RING D10 (+++ FIX TUYAU GRAISSAGE SUR    | 6   |                       |
| 10 | 970315604 | WASHER,WITH RUBBER (REMPLECE 970300325 )        | 2   | REMPLECE<br>970300325 |
| 11 | 970310505 | BOLT,EYE JOINT (<= N° T501050057 )              | 2   | <= N°<br>T501050057   |
| 11 | 970300717 | BOLT,BANJO M10X1,25 (=> N° T501050058 )         | 2   | => N°<br>T501050058   |
| 12 | 970302482 | BOLT,BANJO M12X1,25                             | 1   |                       |
| 13 | 970119135 | WASHER,PLAIN D10 (DONT DEUX POUR CALAGE GALET   | 4   |                       |
| 14 | 970119136 | WASHER,SPRING D10 (POUR INVERSEUR )             | 4   |                       |
| 15 | 970639604 | BOLT,HEX M10X 55 (POUR SUPPORT AR )             | 2   |                       |
| 16 | 970300044 | BOLT,HEX M10X1,25X 25 (+++ FIX . SUPPORT )      | 2   |                       |
| 17 | 970119149 | WASHER, SPRING D 6 (Pour protection injecteur ) | 3   |                       |
| 18 | 970609601 | BOLT,HEX M 6X 12                                | 2   |                       |
| 19 | 48328114  | HOSE, OIL RETURN FROM TURBO                     | 1   |                       |
| 20 | 39460917  | NUT,FLANGE                                      | 4   |                       |
| 21 | 39560001  | ECROU   | 4   |                       |
| 22 | 970604526 | CLAMP,HOSE 22-32 (COTE ECHANGEUR )              | 2   |                       |
| 23 | 970302232 | CLAMP,PIPE D22                                  | 1   |                       |
| 24 | 95310688  | BRACKET   | 1   |                       |
| 25 | 970300275 | BOLT,HEX M 6X 25                                | 1   |                       |
| 26 | 970494516 | NUT,LOCK M 6                                    | 1   |                       |
| 27 | 43363101  | BOLT,BANJO M10X1,5                              | 1   |                       |
| 28 | 970312494 | PLUG - 6.420 TDI TURBOCHARGER                   | 1   |                       |
| 29 | 970312495 | GASKET, PLUG - 6.420 TDI TURBOCHARGER           | 1   |                       |
| 30 | 970312691 | PLUG, DRAIN                                     | 1   |                       |

V. 16/04/2013

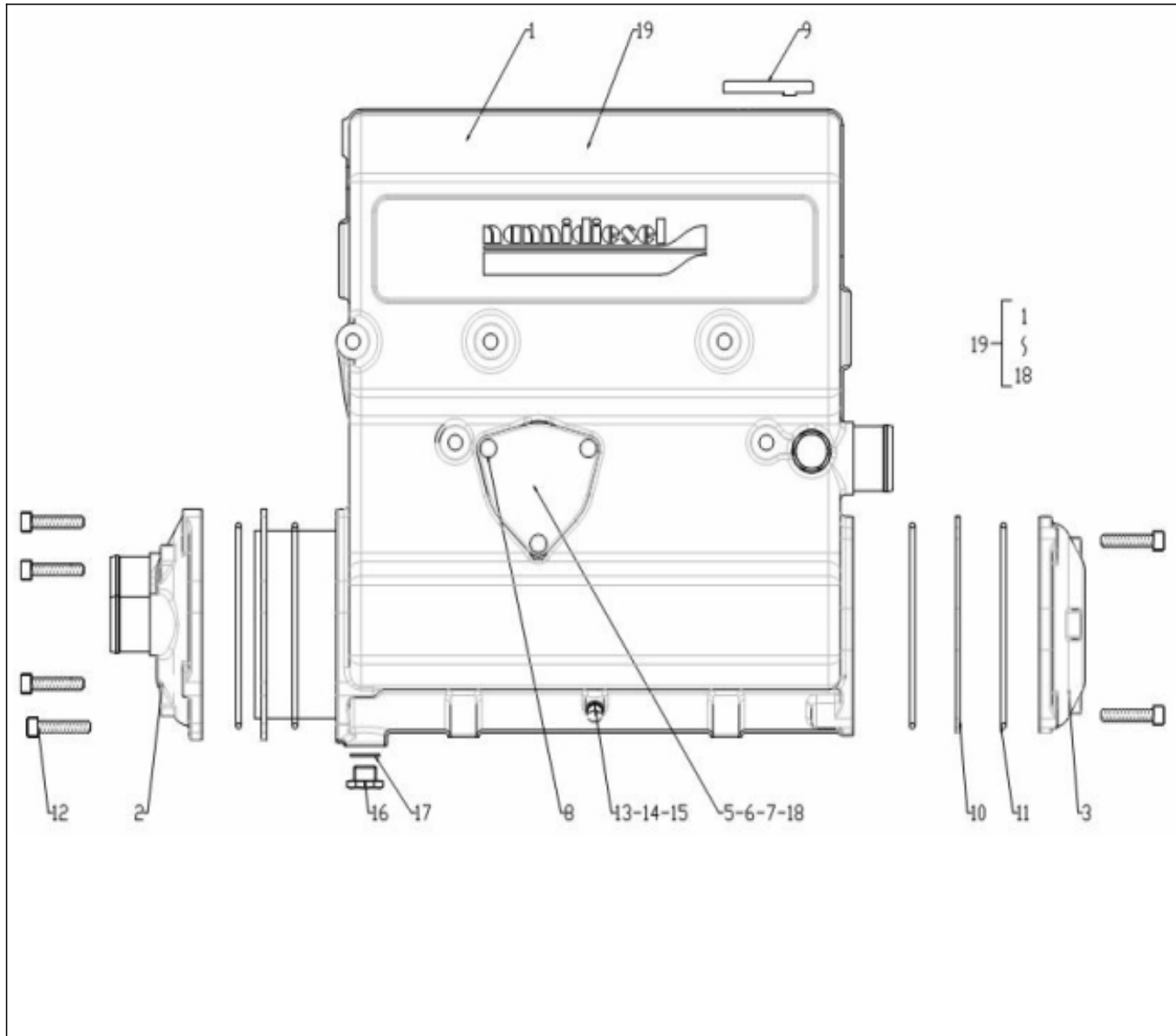
Pag. 20/39

Brand: NanniDiesel

Model: Moteur T6.420TDI T6.300

Version: 6.300

Subassembly: Heat exchanger spare parts



| N. | Item      | Description             | Qty | Notes |
|----|-----------|-------------------------|-----|-------|
| 1  | 970312791 | BODY                    | 1   |       |
| 2  | 970312792 | COVER                   | 1   |       |
| 3  | 970312793 | COVER                   | 1   |       |
| 4  | 970312794 | TUBE STACK              | 1   |       |
| 5  | 970311046 | THERMOSTAT              | 1   |       |
| 6  | 970312796 | GASKET                  | 1   |       |
| 7  | 970312797 | COVER, THERMOSTAT       | 1   |       |
| 8  | 970312798 | BOLT SOCK M8 X30        | 3   |       |
| 9  | 970312799 | FILLING CAP             | 1   |       |
| 10 | 970312800 | SPACER                  | 1   |       |
| 11 | 970312781 | O RING                  | 4   |       |
| 12 | 970310755 | BOLT (POUBELLE )        | 8   |       |
| 13 | 970312802 | BOLT M6x25              | 1   |       |
| 14 | 970312803 | BUSH                    | 1   |       |
| 15 | 970312804 | NUT                     | 1   |       |
| 16 | 970639853 | "PLUG,HEX 3/8""G"       | 2   |       |
| 17 | 970300289 | GASKET,RING D17         | 2   |       |
| 18 | 970312805 | O RING                  | 1   |       |
| 19 | 48300389  | HEAT EXCHANGER 6,420TDI | 1   |       |

V. 16/04/2013

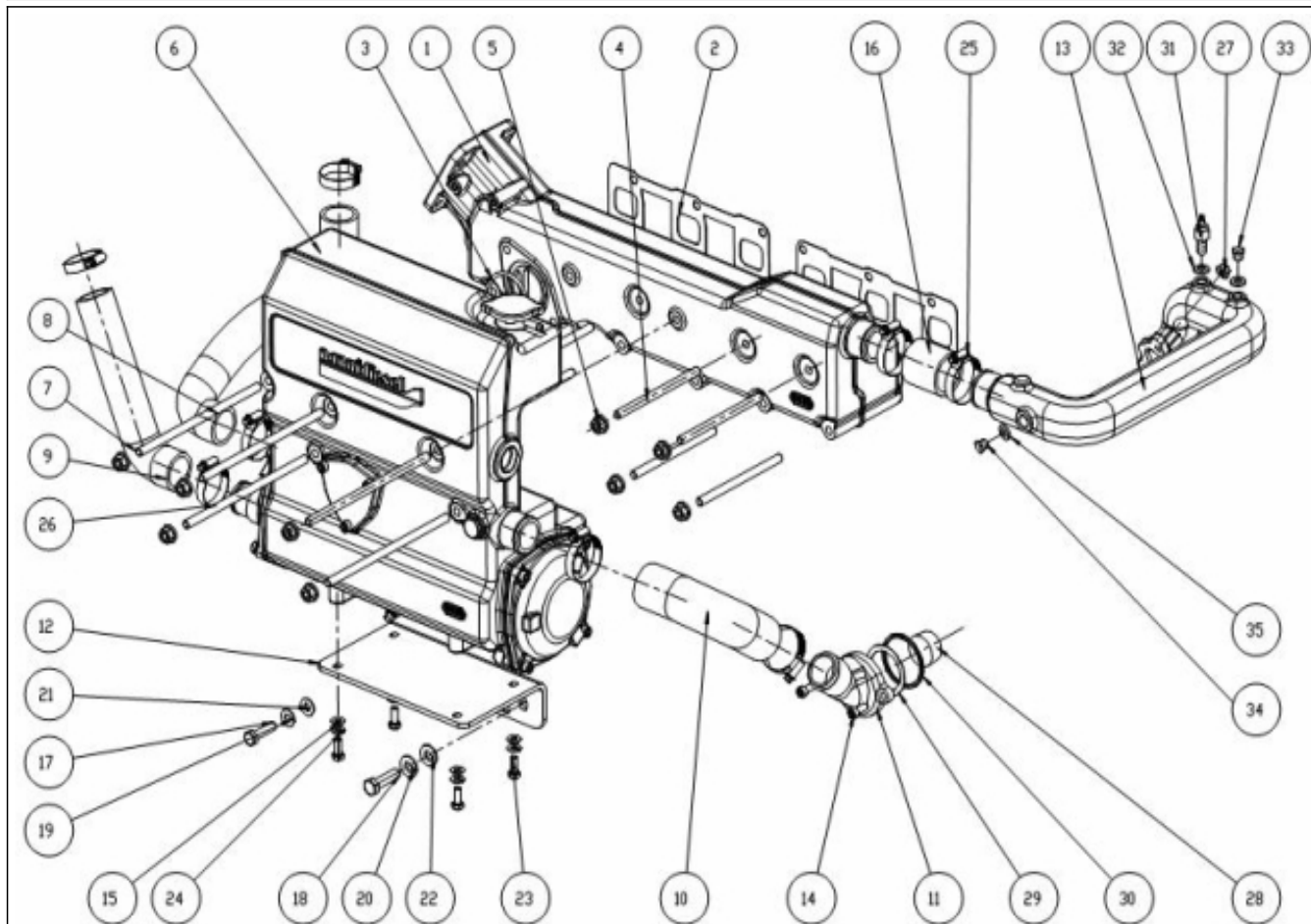
Pag. 21/39

Brand: NanniDiesel

Model: Moteur T6.420TDI T6.300

Version: 6.300

Subassembly: Heat exchanger exh. Manifold



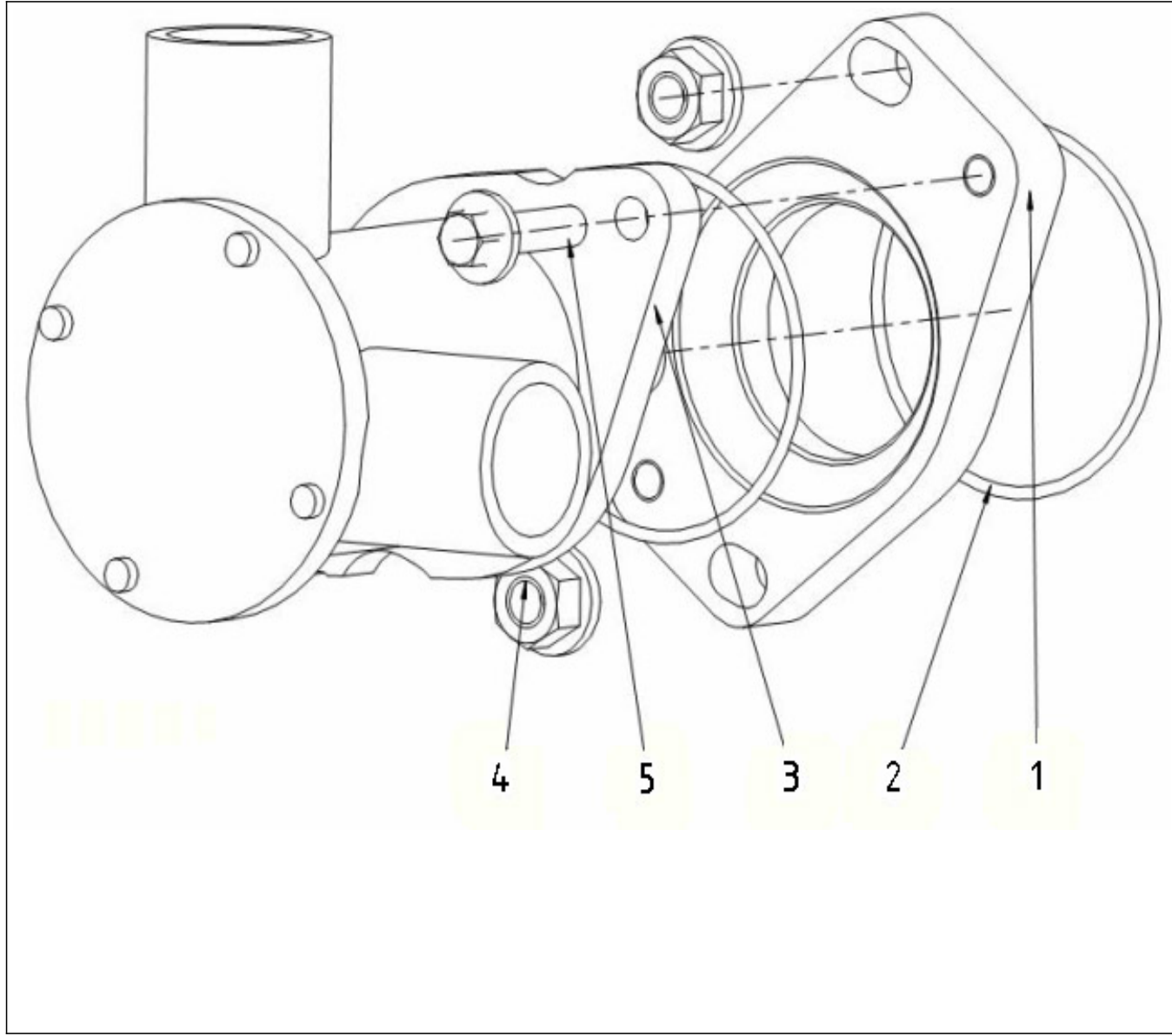
| N. | Item      | Description   | Qty | Notes                           |
|----|-----------|---|-----|---------------------------------|
| 1  | 95200231  | EXHAUST MANIFOLD                                    | 1   |                                 |
| 2  | 970312772 | GASKET EXHAUST MANIFOLD                             | 2   |                                 |
| 3  | 48418070  | O RING  | 1   |                                 |
| 4  | 39020437  | STUD BOLT   | 7   |                                 |
| 5  | 39460917  | NUT,FLANGE  | 12  |                                 |
| 6  | 48300389  | HEAT EXCHANGER 6,420TDI                             | 1   |                                 |
| 7  | 39020440  | STUD BOLT   | 5   |                                 |
| 8  | 48328110  | HOSE  | 1   |                                 |
| 9  | 48328111  | HOSE (Pour/For 6.420TDI et/and T6.300 )             | 1   | Pour/For 6.420TDI et/and T6.300 |
| 9  | 48328119  | HOSE (Pour/For Z6.300 )                             | 1   | Pour/For Z6.300                 |
| 10 | 48328112  | HOSE  | 1   |                                 |
| 11 | 95200235  | FLANGE  | 1   |                                 |
| 12 | 95310602  | BRACKET   | 1   |                                 |
| 13 | 95200236  | PIPE  | 1   |                                 |
| 14 | 970300260 | BOLT,SOCK M 8X 20                                   | 2   |                                 |
| 15 | 970027323 | WASHER,PLAIN D 8                                    | 4   |                                 |
| 16 | 51845001  | HOSE  | 1   |                                 |
| 17 | 970300044 | BOLT,HEX M10X1,25X 25 (+++ FIX . SUPPORT )          | 1   |                                 |
| 18 | 970302332 | BOLT,HEX M12X1,25X 25                               | 1   |                                 |
| 19 | 970119136 | WASHER,SPRING D10 (POUR INVERSEUR )                 | 1   |                                 |
| 20 | 970409154 | WASHER,SPRING D12                                   | 1   |                                 |
| 21 | 970119135 | WASHER,PLAIN D10 (DONT DEUX POUR CALAGE GALET       | 1   |                                 |
| 22 | 970409153 | WASHER,PLAIN D12 (ENTRETOISE JOINT BANJO )          | 1   |                                 |
| 23 | 970119141 | BOLT,HEX M8X 20 (++)FIX CATER VOLANT )              | 4   |                                 |
| 24 | 970119138 | WASHER,SPRING D 8 (TENDEUR )                        | 4   |                                 |
| 25 | 970634621 | CLAMP,HOSE  | 4   |                                 |
| 26 | 970604533 | CLAMP,HOSE 32-44 (QUANTITE 8 R.P. 4 LE 19/06/2008 ) | 4   |                                 |
| 27 | 39460916  | NUT (+++FIX ECHANGEUR )                             | 2   |                                 |
| 28 | 970312476 | PLUG CYLINDER BLOCKHOLE                             | 1   |                                 |
| 29 | 95310601  | GASKET  | 1   |                                 |
| 30 | 970312475 | GASKET  | 1   |                                 |
| 31 | 970851604 | WATER SENDER 120C +SWITCH 110C                      | 1   |                                 |
| 32 | 970300306 | GASKET,RING D14 (SUR REFROID THERMO MOTA )          | 2   |                                 |
| 33 | 970875506 | PLUG (<= N°KT08090422 )                             | 1   |                                 |
| 34 | 970639853 | "PLUG,HEX 3/8""G"                                   | 1   |                                 |
| 35 | 970300289 | GASKET,RING D17                                     | 1   |                                 |

V. 16/04/2013

Pag. 22/39

Brand: NanniDiesel  
 Model: Moteur T6.420TDI T6.300  
 Version: 6.300  
 Subassembly: Seawater pump Assy

| N. | Item     | Description         | Qty | Notes |
|----|----------|---------------------|-----|-------|
| 1  | 95310613 | SEA WATER PUMP BASE | 1   |       |
| 2  | 48418165 | O RING              | 2   |       |
| 3  | 48100876 | COOLING WATER PUMP  | 1   |       |
| 4  | 39460917 | NUT,FLANGE          | 2   |       |
| 5  | 39160639 | BOLT                | 2   |       |



V. 16/04/2013

Pag. 23/39

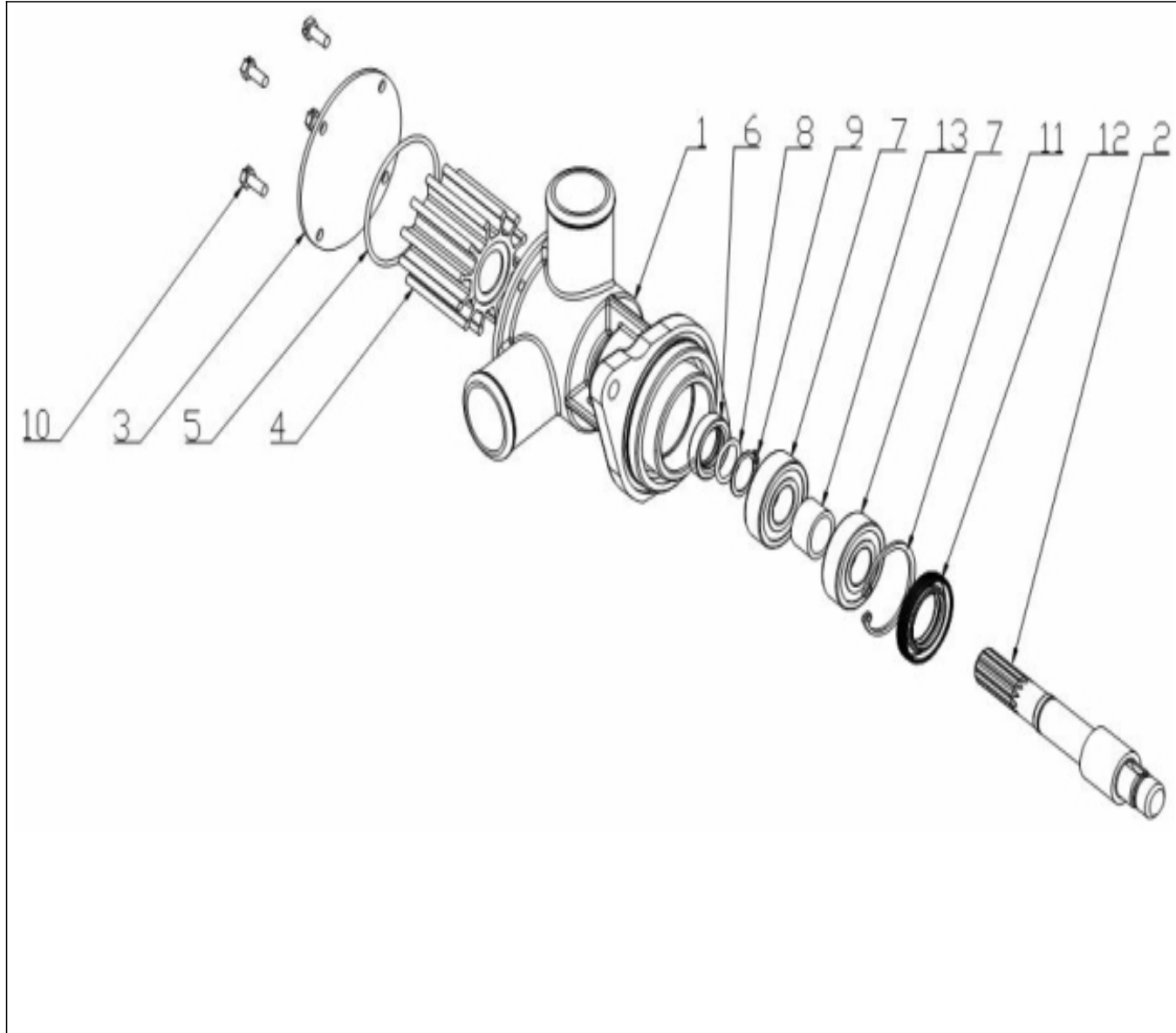
Brand: NanniDiesel

Model: Moteur T6.420TDI T6.300

Version: 6.300

Subassembly: Seawater pump Ass

| N. | Item      | Description                | Qty | Notes |
|----|-----------|----------------------------|-----|-------|
| 1  | 970312684 | BODY                       | 1   |       |
| 2  | 970312506 | Shaft                      | 1   |       |
| 3  | 970312422 | END COVER                  | 1   |       |
| 4  | 970312423 | IMPELLER                   | 1   |       |
| 5  | 970312424 | O RING                     | 1   |       |
| 6  | 970614516 | O-RING SEAL                | 1   |       |
| 7  | 970312426 | BALL BEARING               | 2   |       |
| 8  | 970614626 | O-RING,WATER PUMP F7B-9/10 | 1   |       |
| 9  | 970304049 | CIR-CLIP                   | 1   |       |
| 10 | 970312429 | SCREW                      | 4   |       |
| 11 | 970614627 | RING,RETAINING             | 1   |       |
| 12 | 970312430 | LIP SEAL                   | 1   |       |
| 13 | 970312431 | SPACER                     | 1   |       |



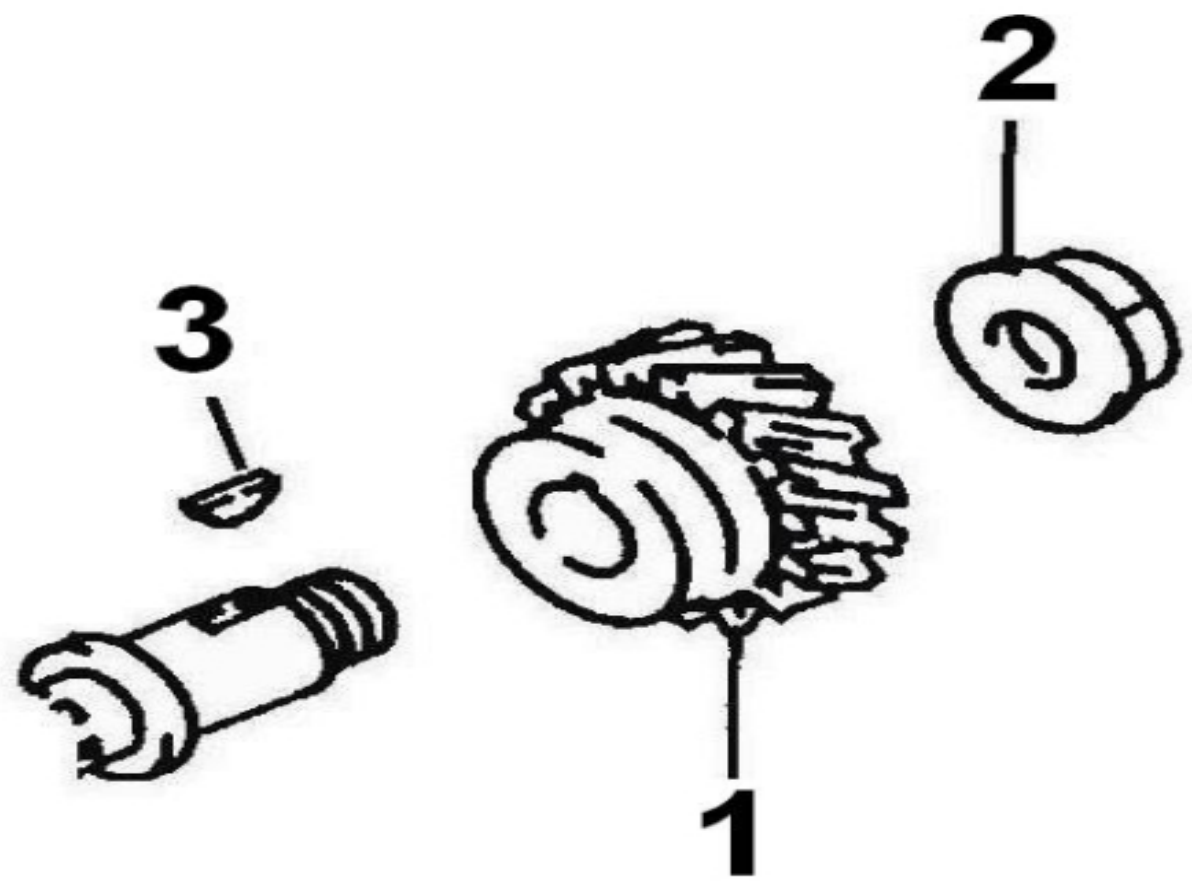
V. 16/04/2013

Pag. 24/39



Brand: NanniDiesel  
Model: Moteur T6.420TDI T6.300  
Version: 6.300  
Subassembly: Seawater pump gear

| N. | Item      | Description      | Qty | Notes |
|----|-----------|------------------|-----|-------|
| 1  | 970312477 | GEAR,VACUUM PUMP | 1   |       |
| 2  | 970312235 | NUT              | 1   |       |
| 3  | 970312478 | KEY              | 1   |       |



V. 16/04/2013

Pag. 25/39

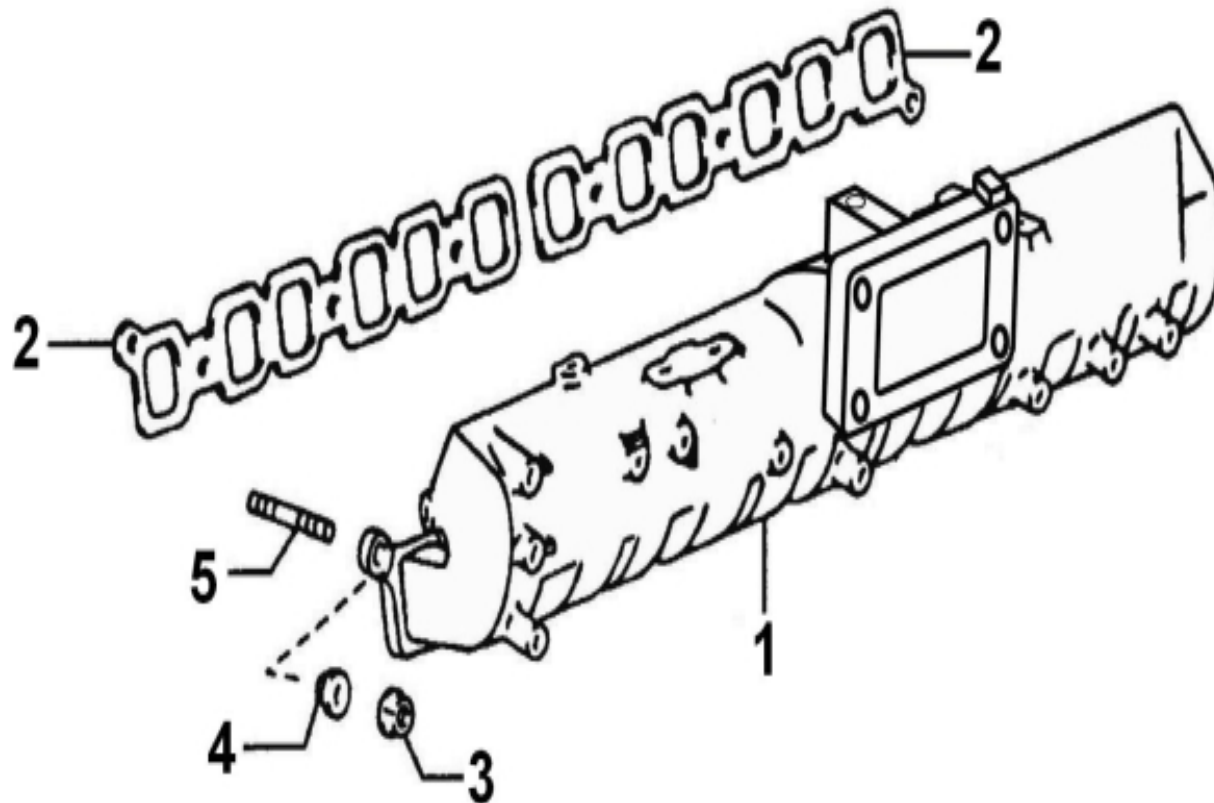
Brand: NanniDiesel

Model: Moteur T6.420TDI T6.300

Version: 6.300

Subassembly: Intake manifold

| N. | Item      | Description            | Qty | Notes |
|----|-----------|------------------------|-----|-------|
| 1  | 970312680 | MANIFOLD,INTAKE        | 1   |       |
| 2  | 970312681 | GASKET,INTAKE MANIFOLD | 2   |       |
| 3  | 970312677 | NUT                    | 8   |       |
| 4  | 970312683 | WASHER,PLETE           | 8   |       |
| 5  | 970312683 | WASHER,PLETE           | 8   |       |



V. 16/04/2013

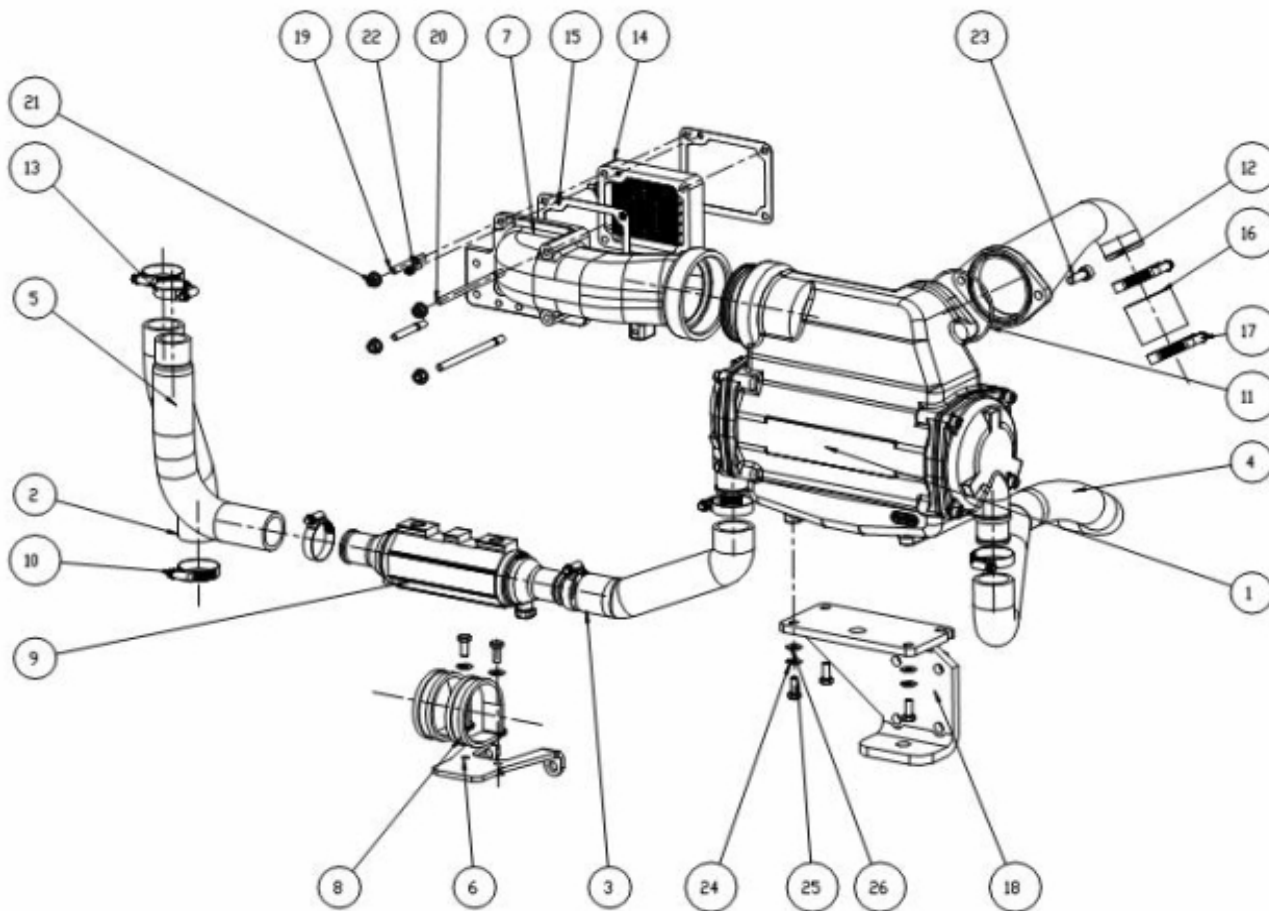
Pag. 26/39

Brand: NanniDiesel

Model: Moteur T6.420TDI T6.300

Version: 6.300

Subassembly: Intercooler



| N. | Item      | Description   | Qty | Notes |
|----|-----------|---|-----|-------|
| 1  | 48300390  | HEAT EXCHANGER 6,420TDI                             | 1   |       |
| 2  | 48328108  | HOSE  | 1   |       |
| 3  | 48328109  | HOSE (RECOUPE SUIVANT PLAN D'ENSEMBLE )             | 1   |       |
| 4  | 48328110  | HOSE  | 1   |       |
| 5  | 48328113  | HOSE  | 1   |       |
| 6  | 95310610  | BRACKET   | 1   |       |
| 7  | 95200234  | AIR OUTLET PIPE                                     | 1   |       |
| 8  | 48100810  | CLAMP   | 2   |       |
| 9  | 48300373  | OIL COOLER  | 1   |       |
| 10 | 970604533 | CLAMP,HOSE 32-44 (QUANTITE 8 R.P. 4 LE 19/06/2008 ) | 6   |       |
| 11 | 48418173  | O RING  | 1   |       |
| 12 | 95200233  | AIR INLET PIPE                                      | 1   |       |
| 13 | 970300922 | CLAMP,HOSE 26-38 (FOURNITURE POMPE ATTELEE )        | 1   |       |
| 14 | 970312483 | HEARTER ASSY, INTAKE                                | 1   |       |
| 15 | 970312773 | GASKET,INTAKE HEARTER                               | 2   |       |
| 16 | 51850001  | HOSE  | 1   |       |
| 17 | 970634621 | CLAMP,HOSE  | 2   |       |
| 18 | 95310605  | ENGINE FOOT   | 1   |       |
| 19 | 39020308  | STUD BOLT   | 2   |       |
| 20 | 39020334  | STUD BOLT   | 2   |       |
| 21 | 39460916  | NUT (+++FIX ECHANGEUR )                             | 4   |       |
| 22 | 970604615 | BOLT,SOCK M 6X 20                                   | 1   |       |
| 23 | 970609701 | BOLT,SOCK M10X 30                                   | 2   |       |
| 24 | 970119138 | WASHER,SPRING D 8 (TENDEUR )                        | 6   |       |
| 25 | 970409603 | BOLT,HEX M 8X 25 (FIX SUP ALT )                     | 6   |       |
| 26 | 970027323 | WASHER,PLAIN D 8                                    | 4   |       |

V. 16/04/2013

Pag. 27/39

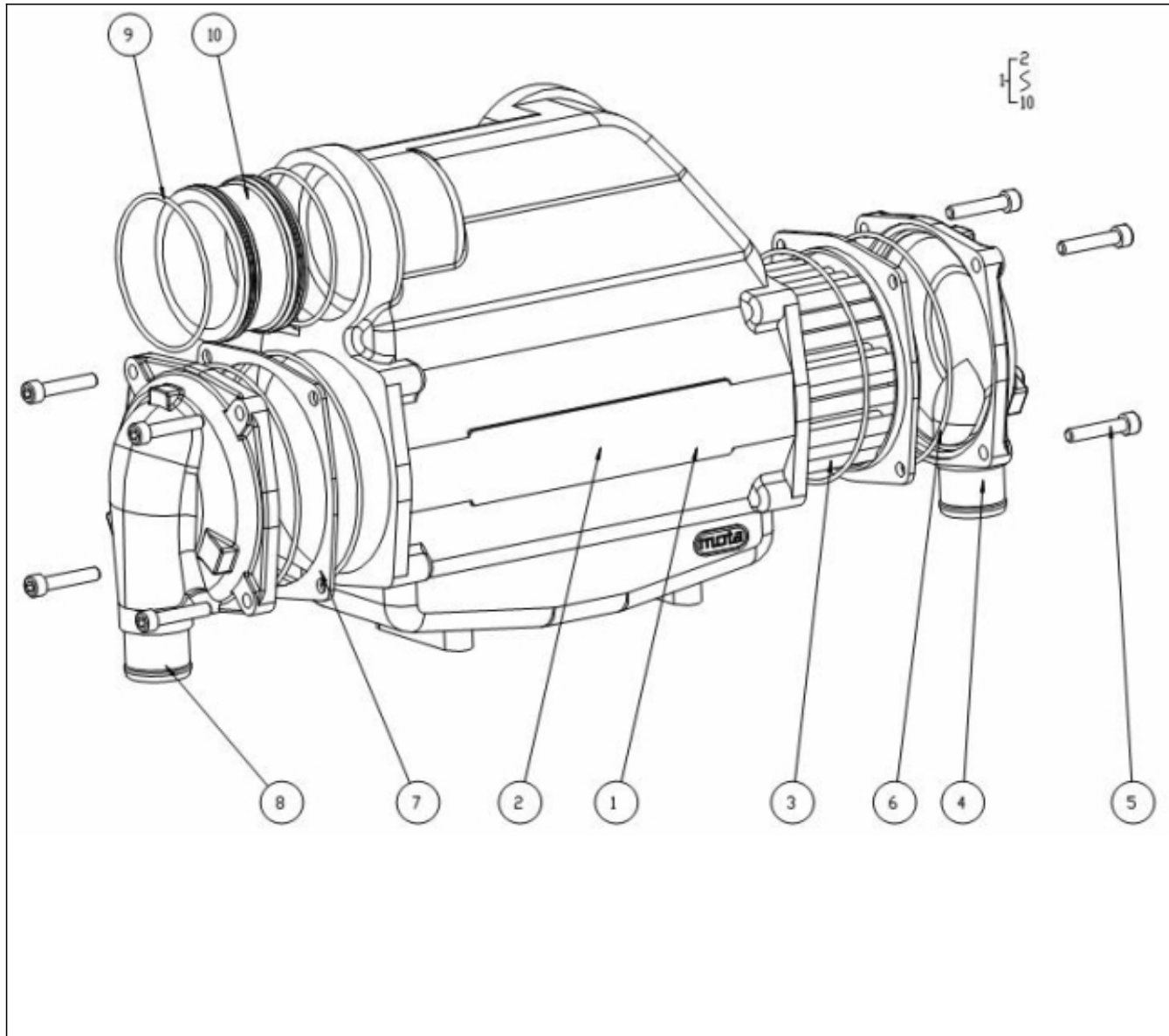
Brand: NanniDiesel

Model: Moteur T6.420TDI T6.300

Version: 6.300

Subassembly: Intercooler spare parts

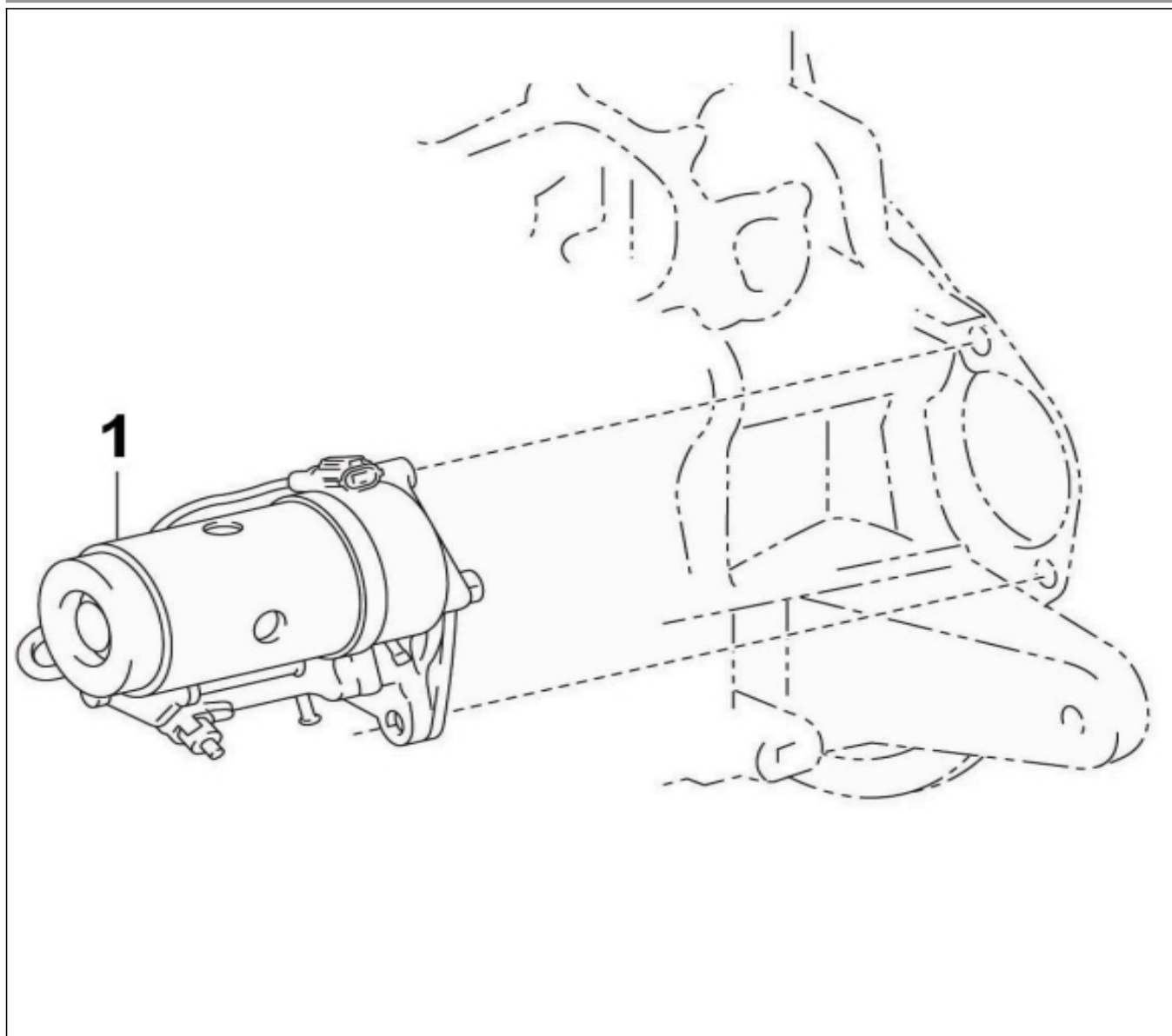
| N. | Item      | Description             | Qty | Notes |
|----|-----------|-------------------------|-----|-------|
| 1  | 48300390  | HEAT EXCHANGER 6,420TDI | 1   |       |
| 2  | 970312778 | BODY                    | 1   |       |
| 3  | 970312779 | TUBE STACK              | 1   |       |
| 4  | 970312780 | COVER, WATER OUTLET     | 1   |       |
| 5  | 970310755 | BOLT (POUBELLE )        | 8   |       |
| 6  | 970312781 | O RING                  | 4   |       |
| 7  | 970312800 | SPACER                  | 1   |       |
| 8  | 970312783 | COVER, WATER INLET      | 1   |       |
| 9  | 970312784 | O RING                  | 2   |       |
| 10 | 970312785 | UNION                   | 1   |       |



V. 16/04/2013

Pag. 28/39

|                                |    |           |               |     |       |
|--------------------------------|----|-----------|---------------|-----|-------|
| Brand: NanniDiesel             | N. | Item      | Description   | Qty | Notes |
| Model: Moteur T6.420TDI T6.300 | 1  | 970312687 | STARTER ASSY, | 1   |       |
| Version: 6.300                 |    |           |               |     |       |
| Subassembly: Starter motor     |    |           |               |     |       |



V. 16/04/2013

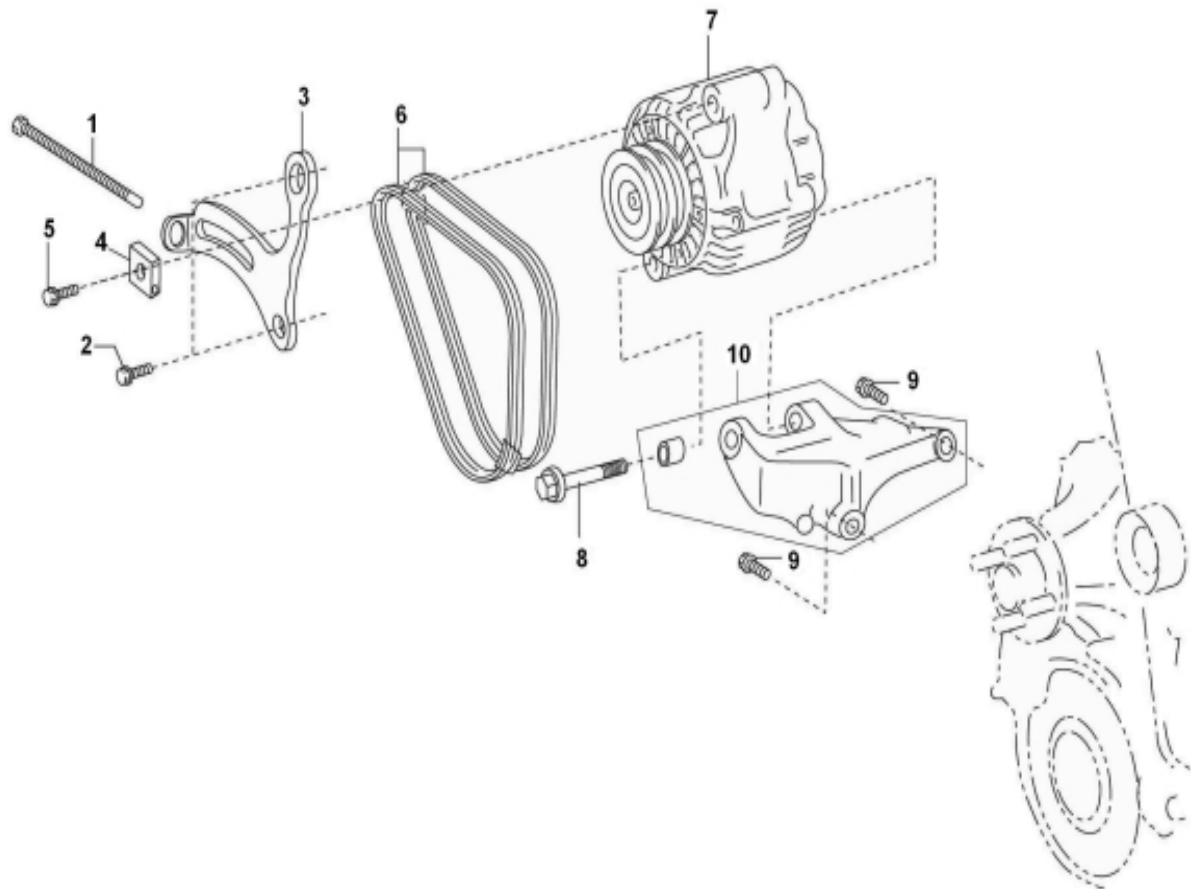
Pag. 29/39

Brand: NanniDiesel

Model: Moteur T6.420TDI T6.300

Version: 6.300

Subassembly: Alternator Assy.Std.



| N. | Item      | Description   | Qty | Notes                                |
|----|-----------|---|-----|--------------------------------------|
| 1  | 970312720 | BOLT,W/WASHER   | 1   |                                      |
| 2  | 970312721 | BOLT,FLANGE   | 2   |                                      |
| 3  | 970312722 | TIGHTNER (Pour alternateur/For alternator 80A )             | 1   | Pour alternateur/For alternator 80A  |
| 3  | 970312877 | TIGHTNER (Pour alternateur/For alternator 120A )            | 1   | Pour alternateur/For alternator 120A |
| 4  | 970312723 | SLIDER,FAN BELT ADJUSTING                                   | 1   |                                      |
| 5  | 970312724 | BOLT,FLANGE   | 1   |                                      |
| 6  | 970312725 | BELT SET,V  | 1   |                                      |
| 7  | 970312726 | ALTERNATOR (Pour alternateur/For alternator 80A )           | 1   | Pour alternateur/For alternator 80A  |
| 7  | 970312688 | ALTERNATOR 12V-120A (Pour alternateur/For alternator 120A ) | 1   | Pour alternateur/For alternator 120A |
| 8  | 970312727 | BOLT,WASHER BASED HEAD HEXAGON                              | 1   |                                      |
| 9  | 970312728 | BOLT,W/WASHER   | 2   |                                      |
| 10 | 970312729 | BRACKET,ALTERNATOR  | 1   |                                      |

V. 16/04/2013

Pag. 30/39

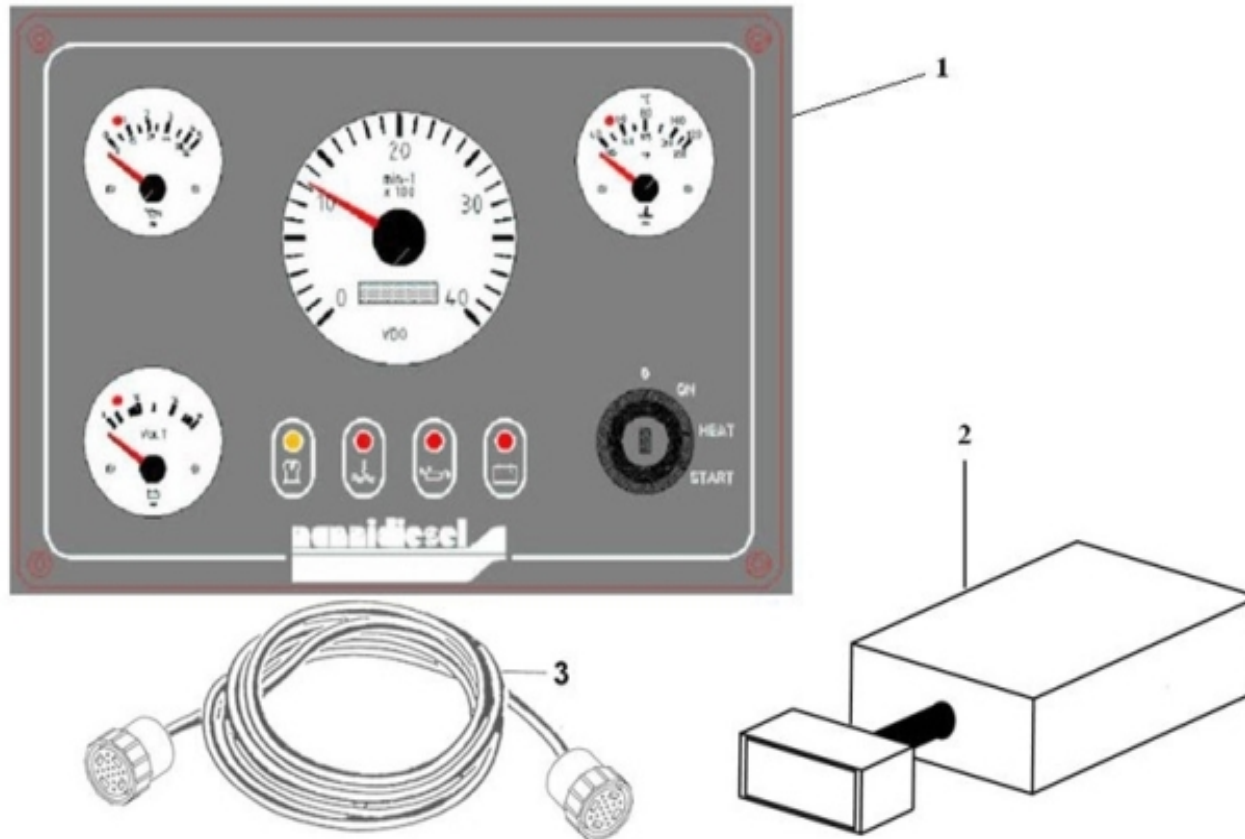
Brand: NanniDiesel

Model: Moteur T6.420TDI T6.300

Version: 6.300

Subassembly: Panel

| N. | Item      | Description   | Qty | Notes |
|----|-----------|---|-----|-------|
| 1  | 674420    | CONTROL PANNEL - 6.420 TDI  | 1   |       |
| 2  | 970312492 | TIMER ASSY,POSTHEATING (Mettre en stock - Livré avec la                             | 1   |       |
| 3  | 674419    | No longer available - WIRING 6M 6.420 TDI (**Remplace le<br>970311192 le 10-05-05 ) | 1   |       |



V. 16/04/2013

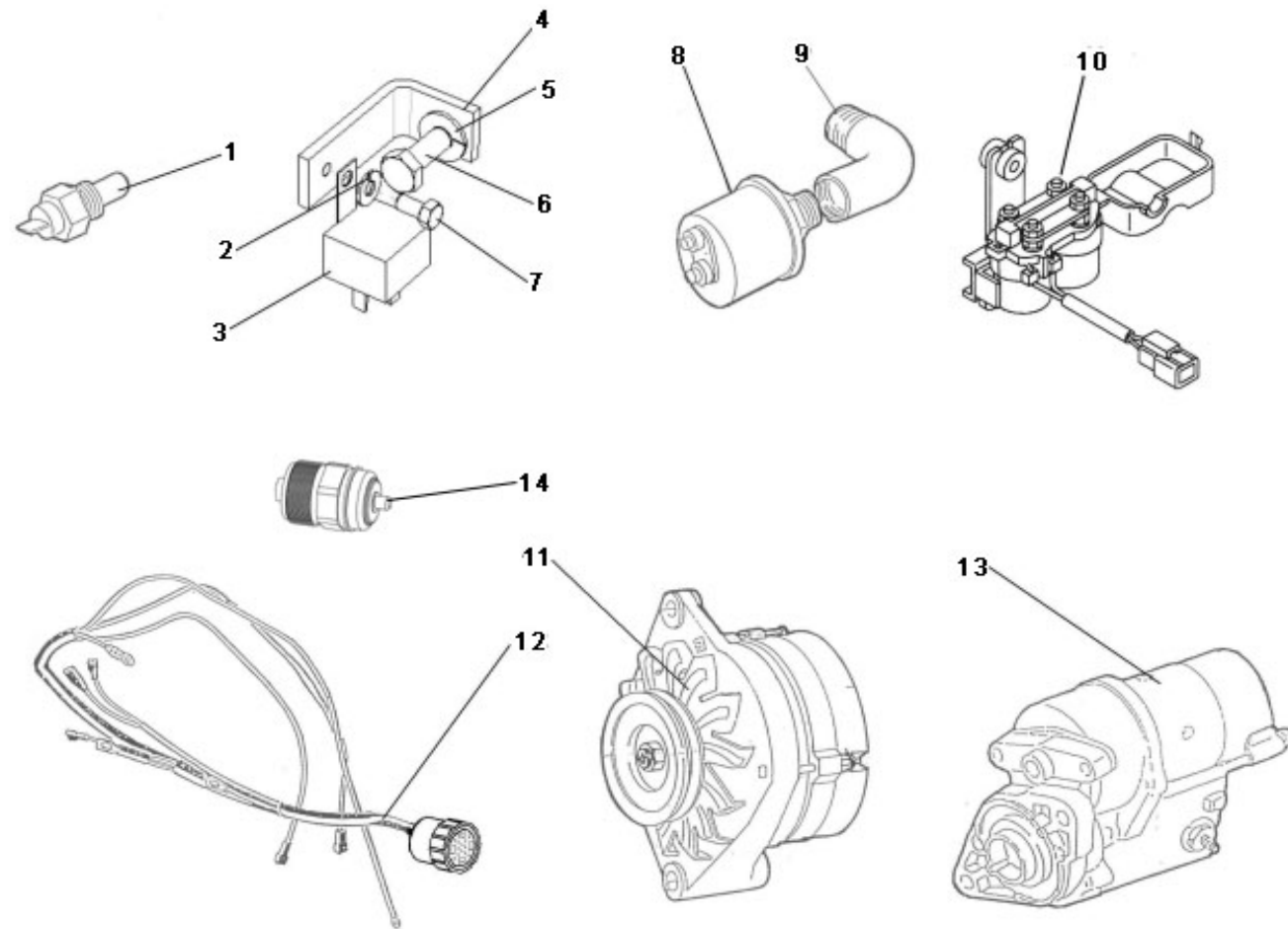
Pag. 31/39

Brand: NanniDiesel

Model: Moteur T6.420TDI T6.300

Version: 6.300

Subassembly: Electrics



| N. | Item      | Description  | Qty | Notes |
|----|-----------|--|-----|-------|
| 1  | 970851604 | WATER SENDER 120C +SWITCH 110C                     | 1   |       |
| 2  | 970300318 | WASHER,SPRING D 5                                  | 1   |       |
| 3  | 970300716 | Normally Open - RELAIS,12V-30A -BOSCH-             | 1   |       |
| 4  | 95310654  | BRACKET  | 1   |       |
| 5  | 970119138 | WASHER,SPRING D 8 (TENDEUR )                       | 1   |       |
| 6  | 970119141 | BOLT,HEX M8X 20 (++)FIX CATER VOLANT )             | 1   |       |
| 7  | 970302420 | BOLT,HEX M 5X 10                                   | 1   |       |
| 8  | 48201143  | OIL PRESSURE SENDER (Remplace 307091 à partir du   | 1   |       |
| 9  | 970493207 | ELBOW,1/8X10X1,5MF (++)MONTAGE ALERTE HUILE )      | 1   |       |
| 10 | 970314759 | RELAY ASSY,POSTHEATING                             | 1   |       |
| 11 | 970312726 | ALTERNATOR (Pour alternateur/For alternator 80A )  | 1   |       |
| 12 | 674421    | ENGINE WIRING - 6.420 TDI (++)POUR MODIF CAB BIP ) | 1   |       |
| 13 | 970312687 | STARTER ASSY,                                      | 1   |       |
| 14 | 48201106  | ELECTROVANNE DE STOP TOY                           | 1   |       |

V. 16/04/2013

Pag. 32/39



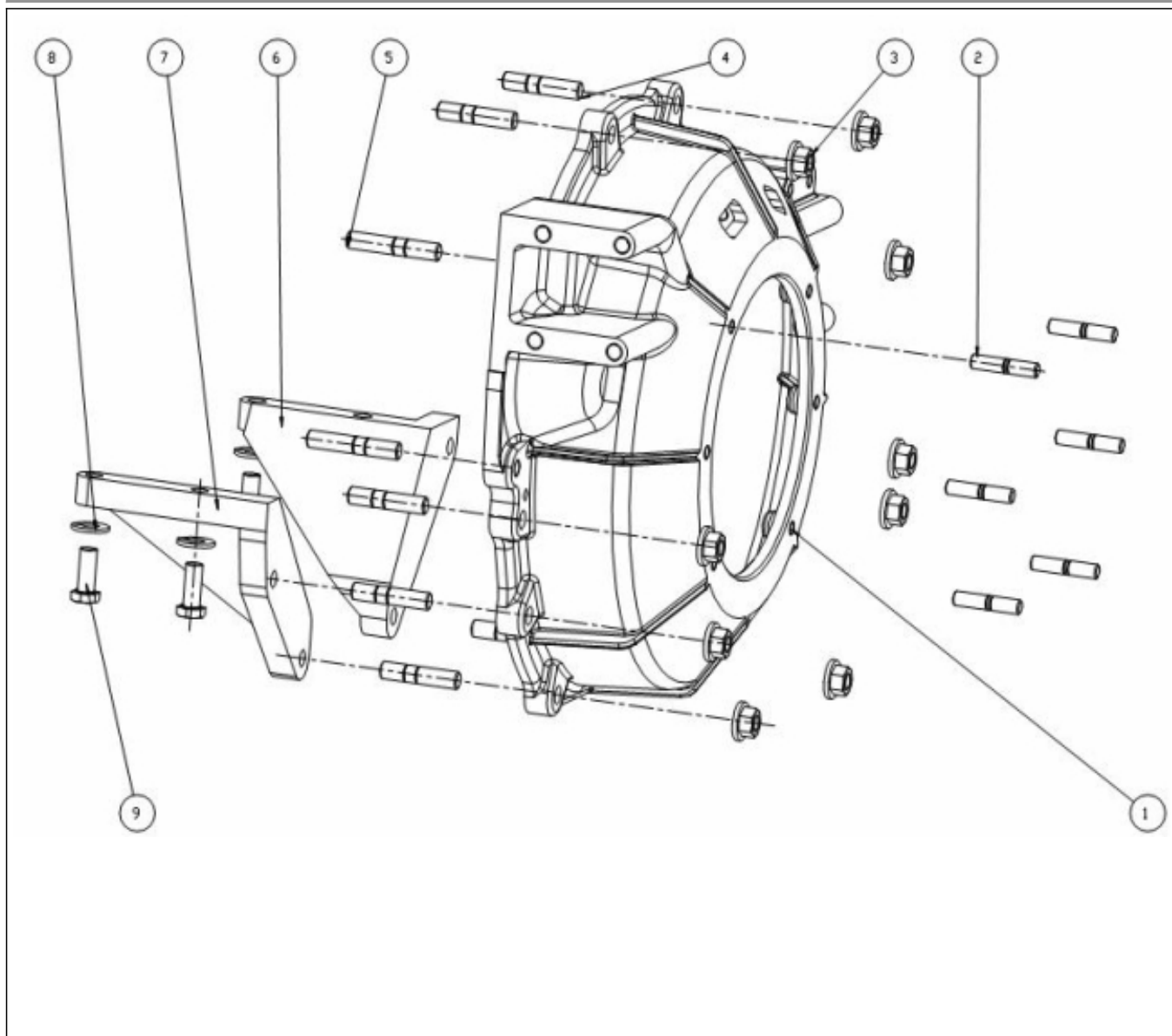
Brand: NanniDiesel

Model: Moteur T6.420TDI T6.300

Version: 6.300

Subassembly: Flywheel housing

| N. | Item      | Description                                | Qty | Notes |
|----|-----------|--|-----|-------|
| 1  | 95200237  | HOUSING                                    | 1   |       |
| 2  | 970649724 | STUD,M10X 25                               | 6   |       |
| 3  | 39460918  | NUT  | 9   |       |
| 4  | 39020549  | STUD BOLT                                  | 9   |       |
| 5  | 39020506  | STUD                                       | 2   |       |
| 6  | 970312479 | PLATE, STIFFENER,RH                        | 1   |       |
| 7  | 970312480 | PLATE, STIFFENER,LH                        | 1   |       |
| 8  | 970409154 | WASHER,SPRING D12                          | 4   |       |
| 9  | 970301736 | BOLT,HEX M12X1,25X 30 (+++ FIX . SUPPORT ) | 4   |       |

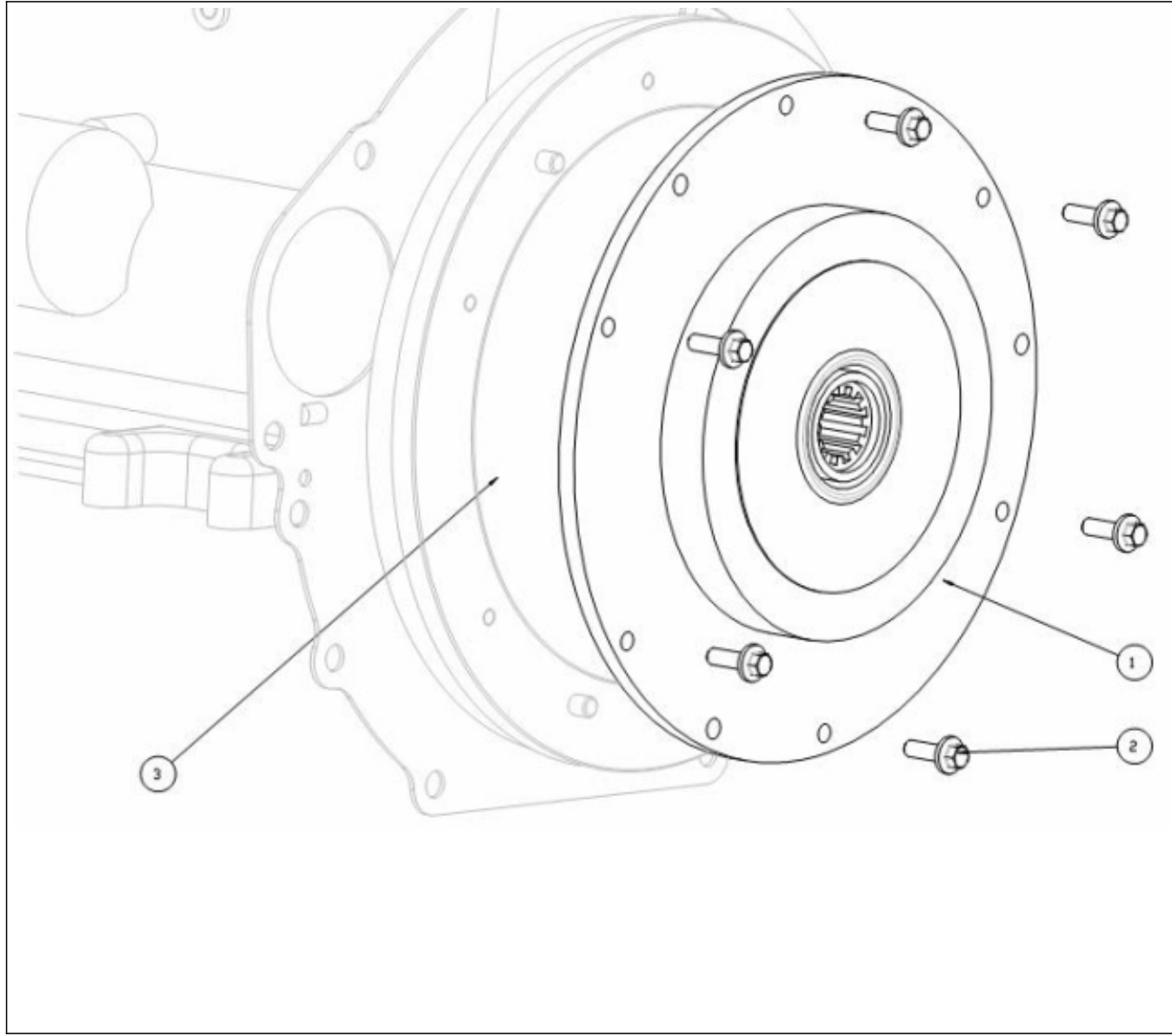


V. 16/04/2013

Pag. 33/39

Brand: NanniDiesel  
 Model: Moteur T6.420TDI T6.300  
 Version: 6.300  
 Subassembly: Damper

| N. | Item      | Description                    | Qty | Notes |
|----|-----------|--------------------------------|-----|-------|
| 1  | 48100885  | DAMPER TORFLEX 630 - 6.420 TDI | 1   |       |
| 2  | 39160638  | BOLT                           | 6   |       |
| 3  | 970312628 | FLYWHEEL SUB-ASSY,             | 1   |       |



V. 16/04/2013

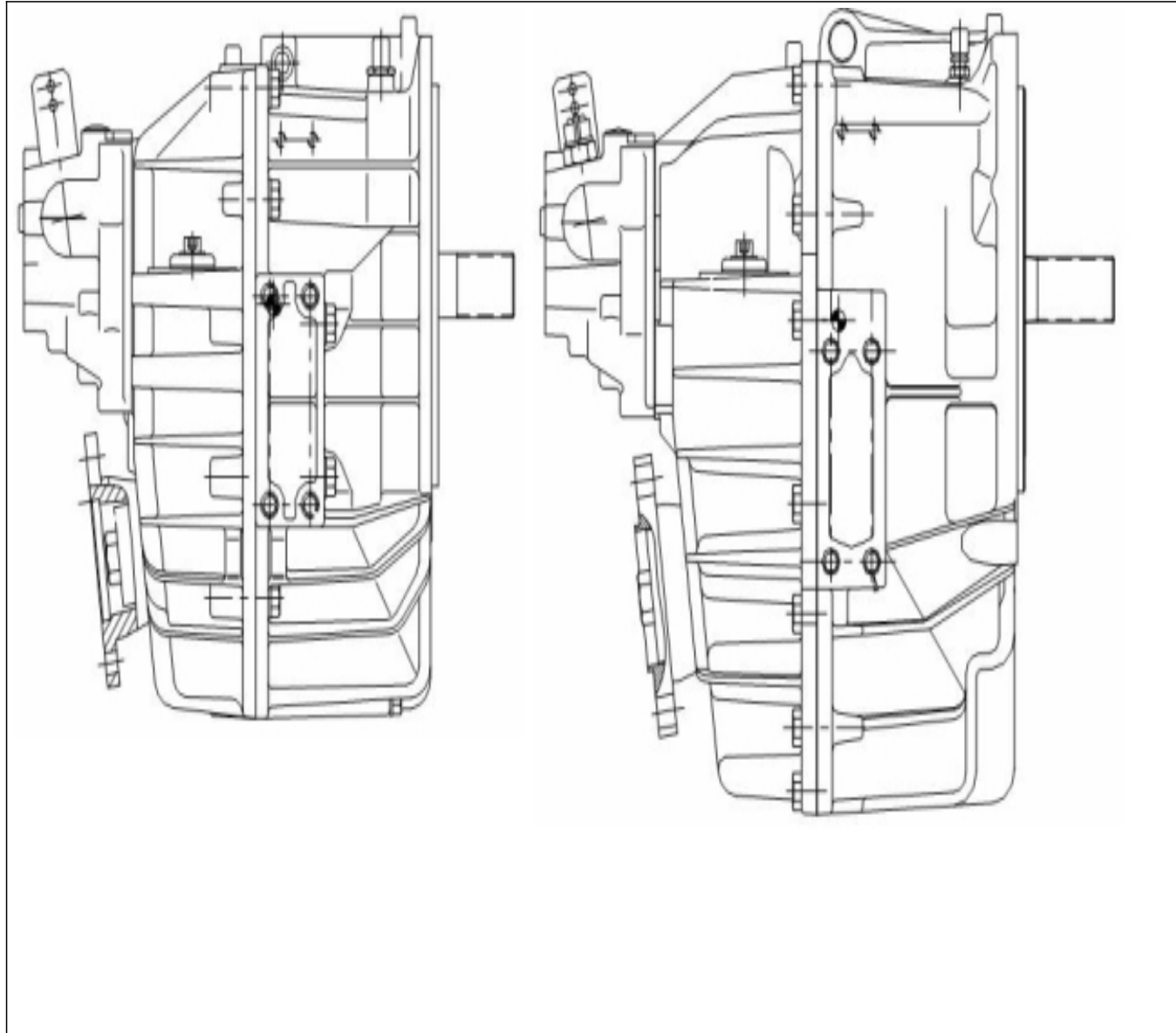
Pag. 34/39

Brand: NanniDiesel

Model: Moteur T6.420TDI T6.300

Version: 6.300

Subassembly: Reversing gear



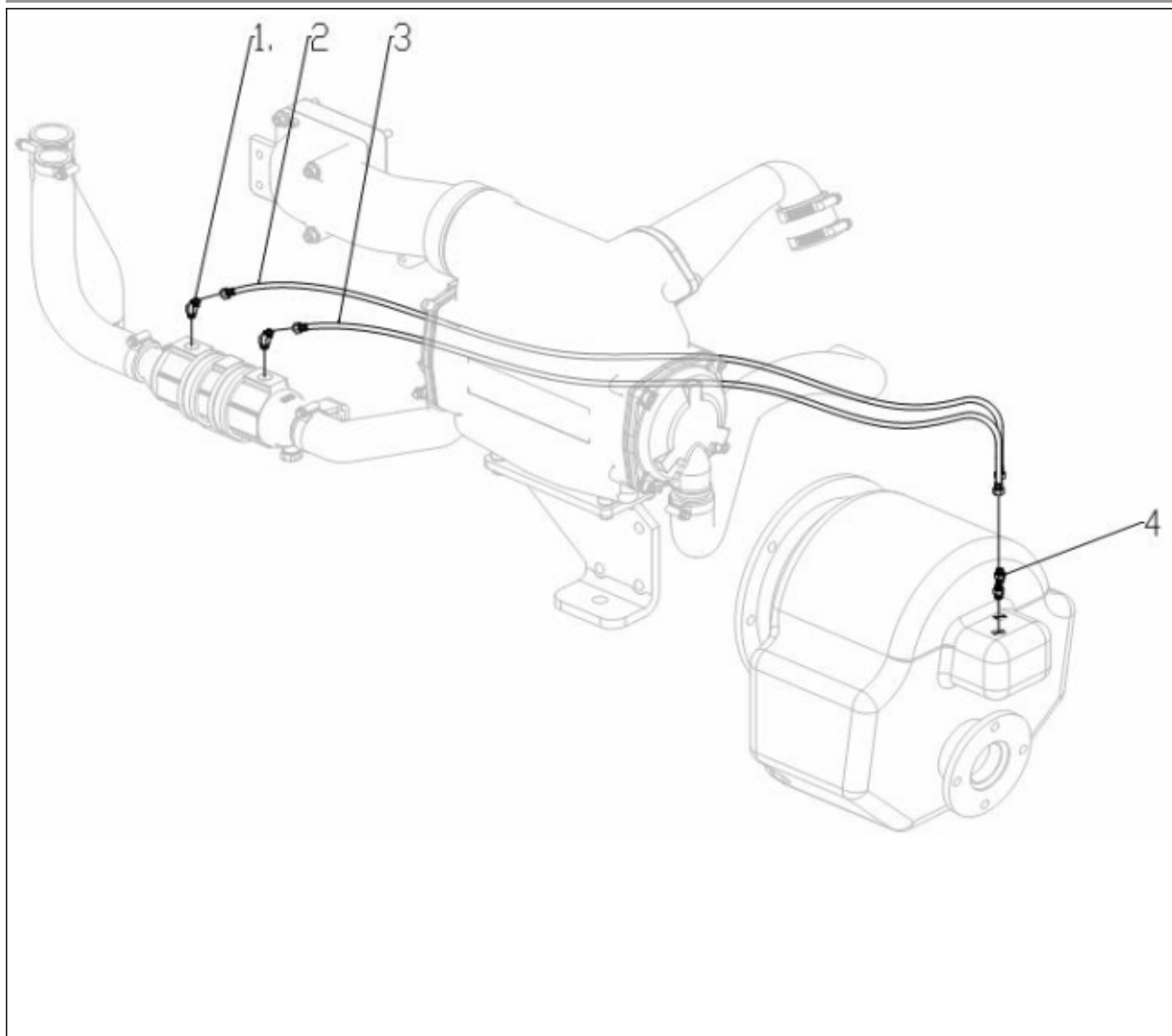
| N. | Item      | Description                      | Qty | Notes                 |
|----|-----------|----------------------------------|-----|-----------------------|
| 1  | 97077525  | GEARBOX (Montage à définir )     | 1   |                       |
| 2  | 97077663  | GEARBOX                          | 1   |                       |
| 3  | 97077530  | GEARBOX                          | 1   |                       |
| 4  | 97077663  | GEARBOX                          | 1   |                       |
| 5  | 97077522  | GEARBOX (Seulement/Only T6.300 ) | 1   | Seulement/Only T6.300 |
| 6  | 97077665  | GEARBOX (Seulement/Only T6.300 ) | 1   | Seulement/Only T6.300 |
| 7  | 912103061 | GEARBOX                          | 1   |                       |
| 8  | 912103062 | GEARBOX                          | 1   |                       |

V. 16/04/2013

Pag. 35/39

Brand: NanniDiesel  
 Model: Moteur T6.420TDI T6.300  
 Version: 6.300  
 Subassembly: Oil cooler gear box

| N. | Item     | Description   | Qty | Notes |
|----|----------|---|-----|-------|
| 1  | 48300339 | COUDE 90D JIC 3/4-3/8 BSP (++)Mettre en bourriche ) | 2   |       |
| 2  | 48300395 | HOSE  | 1   |       |
| 3  | 48300396 | HOSE (1 )   | 1   |       |
| 4  | 48300308 | ELBOW (++)montés sur refroid et 2 en bourriche )    | 2   |       |



V. 16/04/2013

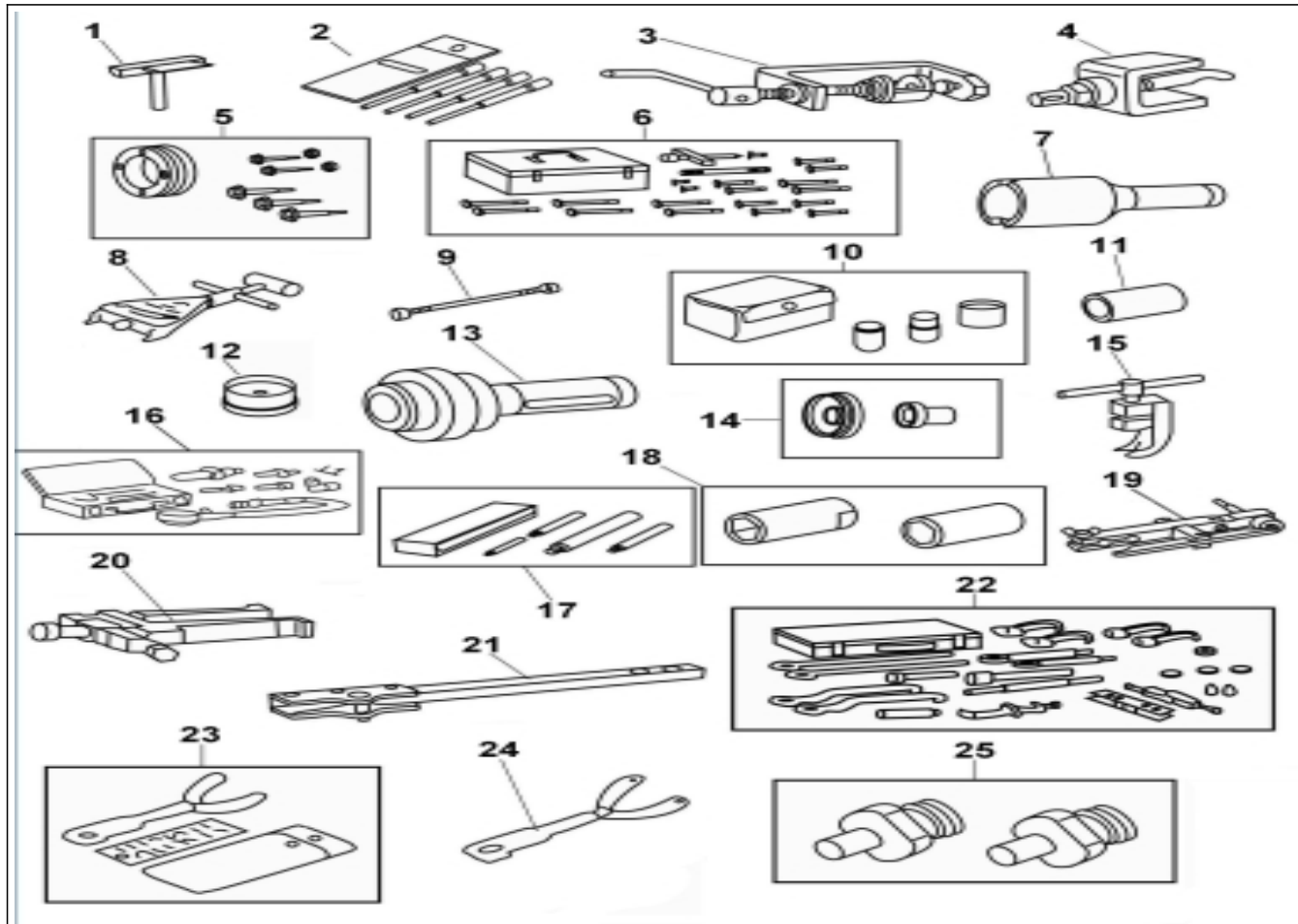
Pag. 36/39

Brand: NanniDiesel

Model: Moteur T6.420TDI T6.300

Version: 6.300

Subassembly: Tools



| N. | Item      | Description                                  | Qty | Notes |
|----|-----------|--|-----|-------|
| 2  | 970312733 | VALVE GUIDE BUSHING REMOVER & - REPLACER SET | 1   |       |
| 3  | 970312372 | VALVE TOOL                                   | 1   |       |
| 4  | 970312373 | TOOL   | 1   |       |
| 5  | 970312736 | CRANKSHAFT PULLEY HOLDING TOOL               | 1   |       |
| 6  | 970312374 | EXTRACTOR                                    | 1   |       |
| 7  | 970312738 | CRANKSHAFT PULLEY REPLACER                   | 1   |       |
| 8  | 970312375 | BELT TENSION GAUGE                           | 1   |       |
| 9  | 970312740 | BELT TENSION GAUGE CABLE                     | 1   |       |
| 10 | 970312741 | CONNECTING ROD BUSHING REMOVER - & REPLACER  | 1   |       |
| 11 | 970312742 | COVER & SEAL REPLACER                        | 1   |       |
| 12 | 970312743 | OIL SEAL & BEARING REPLACER                  | 1   |       |
| 13 | 970312376 | TOOL   | 1   |       |
| 14 | 970312745 | CRANKSHAFT OIL SEAL REPLACER                 | 1   |       |
| 15 | 970312377 | VALVE CLEARANCE ADJUSTING TOOL               | 1   |       |
| 16 | 970312747 | COMPRESSION METER                            | 1   |       |
| 17 | 970312748 | HANDLE SET                                   | 1   |       |
| 18 | 970312749 | INJECTION NOZZLE WRENCH SET                  | 1   |       |
| 19 | 970312378 | INJECTION PUMP TOOL                          | 1   |       |
| 20 | 970312751 | OIL SEAL PULLER                              | 1   |       |
| 21 | 970312752 | COMPANION FLANGE HOLDING TOOL                | 1   |       |
| 22 | 970312753 | PULLER B SET                                 | 1   |       |
| 23 | 970312754 | VARIABLE PIN WRENCH SET                      | 1   |       |
| 24 | 970312755 | VARIABLE PIN WRENCH ARM ASSY                 | 1   |       |
| 25 | 970312756 | PIN 7  | 1   |       |

V. 16/04/2013

Pag. 37/39

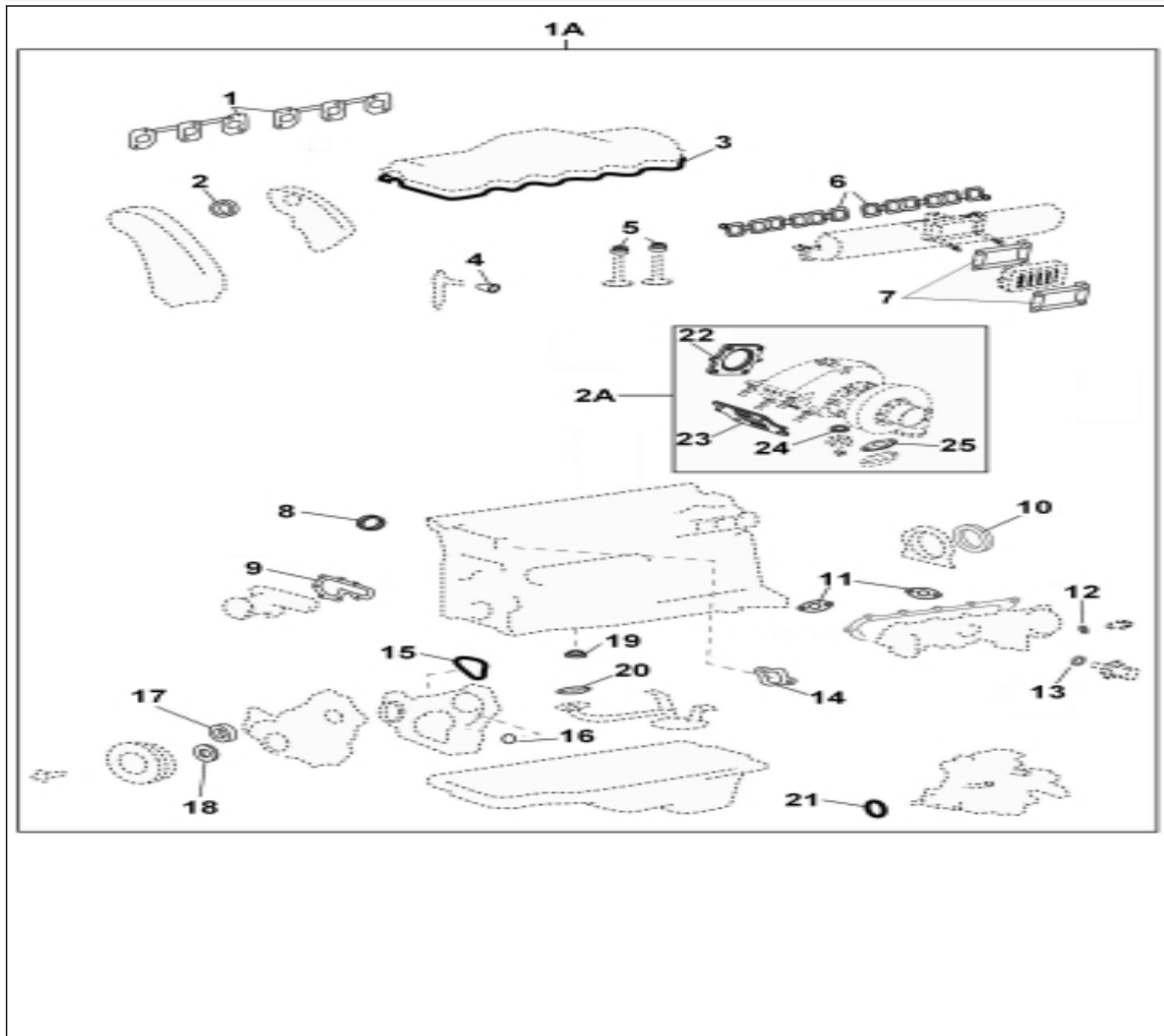
Brand: NanniDiesel

Model: Moteur T6.420TDI T6.300

Version: 6.300

Subassembly: Tools gasket set

| N. | Item      | Description                 | Qty | Notes |
|----|-----------|-----------------------------|-----|-------|
| 1  | 970312730 | GASKET KIT, ENGINE OVERHAUL | 1   |       |
| 2  | 970312731 | GASKET KIT, TURBO           | 1   |       |



V. 16/04/2013

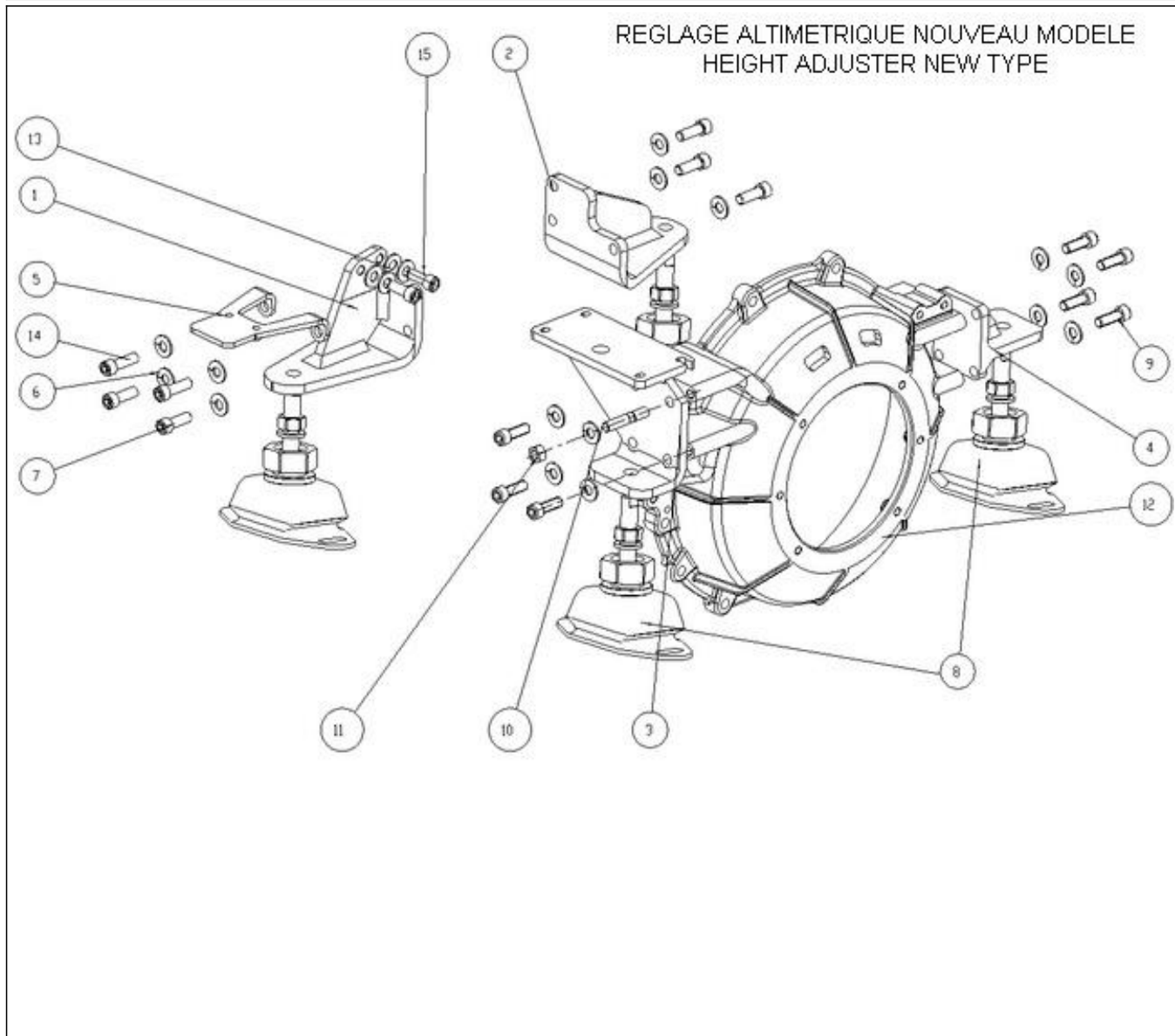
Pag. 38/39

Brand: NanniDiesel

Model: Moteur T6.420TDI T6.300

Version: 6.300

Subassembly: Engine mount



| N. | Item       | Description                                | Qty | Notes |
|----|------------|--|-----|-------|
| 1  | 95310603   | ENGINE FOOT                                | 1   |       |
| 2  | 95310604   | ENGINE FOOT                                | 1   |       |
| 3  | 95310605   | ENGINE FOOT                                | 1   |       |
| 4  | 95310606   | ENGINE FOOT                                | 1   |       |
| 5  | 95310601   | GASKET                                     | 1   |       |
| 6  | 970409154  | WASHER, SPRING D12                         | 17  |       |
| 7  | 970304014  | BOLT, HEX M12X1,25X 35 (+++ FIX SUPPORT)   | 5   |       |
| 8  | TA600V04PR | ENS. 2 PLOTS 60 SH ECROU DE REGLAGE        | 2   |       |
| 9  | 39129507   | BOLT                                       | 7   |       |
| 10 | 39020506   | STUD                                       | 1   |       |
| 11 | 970607318  | NUT, M12                                   | 1   |       |
| 12 | 95200237   | HOUSING                                    | 1   |       |
| 13 | 970409153  | WASHER, PLAIN D12 (ENTRETOISE JOINT BANJO) | 2   |       |
| 14 | 39160549   | BOLT                                       | 2   |       |
| 15 | 39129510   | BOLT                                       | 2   |       |

V. 16/04/2013

Pag. 39/39